

| REVISIONS | | | | | |
|-----------|-----|------------------|-----------|-----|------|
| P | LTR | DESCRIPTION | DATE | DWN | APVD |
| | K | PRODUCTION ISSUE | 30JAN2019 | PNT | MT |

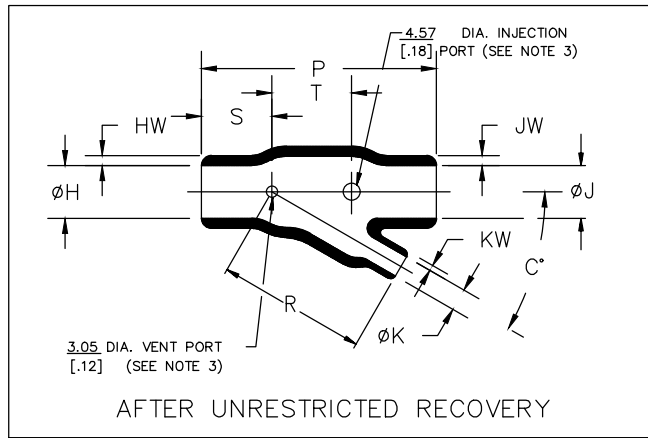
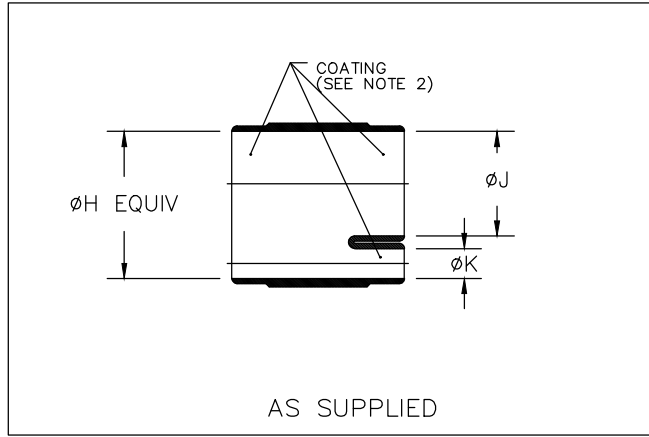


TABLE OF DIMENSIONS

| PART NUMBER | H & J | | K | | P ±10% b | R ±10% b | S ±10% b | T ±10% b | HW ±20% b | JW ±20% b | KW ±20% b | C° | |
|-------------|----------------|---------------|---------------|---------------|----------------|----------------|----------------|----------------|-----------------|-----------------|-----------------|-----------|----------|
| | Min | Max | Min | Max | | | | | | | | ±10% a | ±5% b |
| | a | b | a | b | | | | | | | | | |
| 362A014 | 30.5 [1.20] | 15.7 [.62] | 20.0 [.80] | 10.7 [.42] | 82.6 [3.25] | 50.8 [2.00] | 31.8 [1.25] | 21.1 [.83] | 2.5 [.10] | 2.5 [.10] | 1.8 [.07] | 10 | 30 |
| 362A024 | 35.6 [1.40] | 18.3 [.72] | 15.2 [.60] | 8.6 [.34] | 63.5 [2.50] | 41.1 [1.62] | 19.1 [.75] | 22.4 [.88] | 2.5 [.10] | 2.5 [.10] | 1.5 [.06] | 10 | 30 |
| 362A114 | 35.6 [1.40] | 18.8 [.74] | 10.2 [.40] | 5.3 [.21] | 61.0 [2.40] | 35.6 [1.40] | 19.1 [.75] | 21.3 [.84] | 2.8 [.11] | 2.8 [.11] | 1.5 [.06] | 10 | 30 |

RELEASED FOR PUBLICATION

ALL RIGHTS RESERVED.

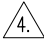
THIS DRAWING IS UNPUBLISHED.

© COPYRIGHT - TE Connectivity Ltd.

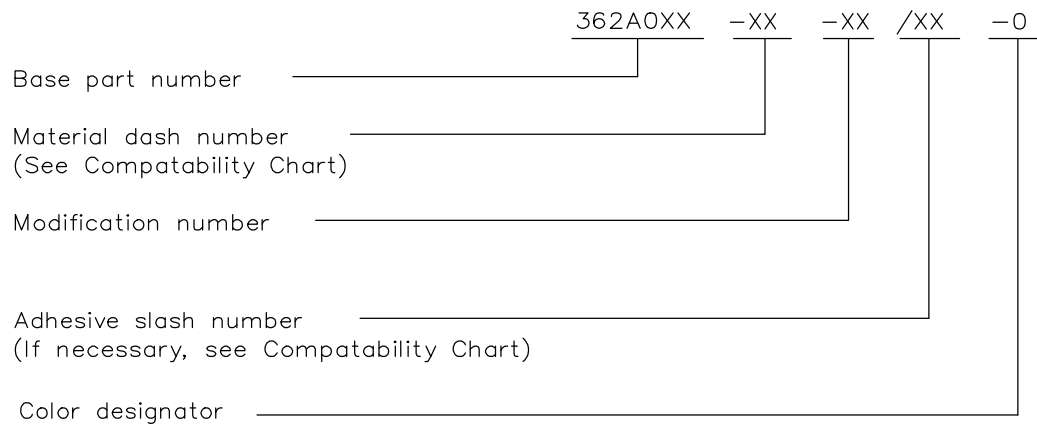
| | | | | | | |
|--|--------------|--------------|-------------------------|-------------|--------------------------|---------------|
| DIMENSIONS: mm [INCHES] | DWN | 30JAN2019 | MATERIAL | SEE SHEET 2 | FINISH | - |
| | CHK | 30JAN2019 | TE Connectivity Ltd. | | | |
| TOLERANCES UNLESS OTHERWISE SPECIFIED: | PRAVEEN N T | | | | | |
| | PRODUCT SPEC | | APPLICATION SPEC | | WEIGHT | |
| 0 PLC ± - | - | | NAME | | | |
| 1 PLC ± - | - | | TRANSITION, 30 DEGREES, | | | |
| 2 PLC ± - | - | | SIDE BREAKOUT THINWALL | | | |
| 3 PLC ± - | - | | SIZE | CAGE CODE | DRAWING NO | RESTRICTED TO |
| 4 PLC ± - | - | | A4 | 00779 | 362A014-XX-0THRU114-XX-0 | - |
| ANGLES ± - | - | | CUSTOMER DRAWING | | | SCALE DNS |
| | | SHEET 1 OF 2 | | REV K | | |

REVISIONS

| P | LTR | DESCRIPTION | DATE | DWN | APVD |
|---|-----|-------------|------|-----|------|
| | - | SEE SHEET 1 | - | - | - |

| MATERIAL DASH NO. | MATERIAL DESCRIPTION | RT SPEC | COATING SLASH NO. | COATING S NO. |
|-------------------|--------------------------------------|---------|--|-------------------|
| -3 | Polyolefin, Semi-rigid | RT-301 | /42; /86; /180 | S1017;S1048;S1030 |
| -4 | Polyolefin, Flexible | RT-1304 | /42; /86; /180 | S1017;S1048;S1030 |
| -12 | Fluoroelastomer, Flexible | RT-1312 | N/A | N/A |
| -25 | Elastomer, Fluid Resistant | RW-2070 | /42; /86; /225 | S1017;S1048;S1206 |
| -100 | Polyolefin, Semi-flexible ZEROHAL | RW-2082 | /86; /180  | S1048;S1030 |

ORDERING INFORMATION



NOTES


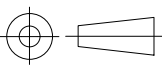
- Dimensions appearing in table are as follows:
 - a - As Supplied
 - b - After Unrestricted Recovery
- Coating is optional. As supplied dimensions appearing in table are for uncoated parts. When coating is added, entry diameters will be reduced by 1.5mm[.06]. max.
- Molding ports are optional. When -00 modification number is specified molding ports will be located as shown.

 /180 adhesive available only on 362A014.

THIS DRAWING IS UNPUBLISHED.

ALL RIGHTS RESERVED.

© COPYRIGHT - TE Connectivity Ltd.

| | | | | | |
|--|---|---|-------------|---|---------------|
| DIMENSIONS: mm [INCHES] | DWN PRAVEEN N T 30JAN2019 | MATERIAL - | FINISH - | | |
| | CHK N NAGAR 30JAN2019 |  TE Connectivity Ltd. | | | |
| TOLERANCES UNLESS OTHERWISE SPECIFIED: | APVD M TAYLOR 30JAN2019 | | | NAME TRANSITION, 30 DEGREES, SIDE BREAKOUT THINWALL | |
| 0 PLC ± - | PRODUCT SPEC | SIZE | CAGE CODE | DRAWING NO | RESTRICTED TO |
| 1 PLC ± - | --- | A4 | 00779 | C- 362A014-XX-0THRU114-XX-0 | --- |
| 2 PLC ± - | APPLICATION SPEC | CUSTOMER DRAWING | | | |
| 3 PLC ± - | --- | SCALE | DNS | SHEET | 2 OF 2 |
| 4 PLC ± - | WEIGHT | REV | | K | |
| ANGLES ± - |  | | | | |

X-ON Electronics

Largest Supplier of Electrical and Electronic Components

Click to view similar products for [Heat Shrink Cable Boots & End Caps](#) category:

Click to view products by [TE Connectivity](#) manufacturer:

Other Similar products are found below :

[577159N001](#) [645494-000](#) [CX4132-000](#) [687025-000](#) [705331-000](#) [718446-000](#) [725666N001](#) [729257-000](#) [F27131-000](#) [F85868-000](#) [770-003S106W2](#) [770-013210W1](#) [770-013311](#) [770-013312](#) [806542N001](#) [807507-000](#) [808362-000](#) [808618-000](#) [809125-000](#) [809130-000](#) [809218-000](#) [812014-000](#) [812047-000](#) [813166-000](#) [813767N002](#) [814741-000](#) [819117N001](#) [823026-000](#) [823070-000](#) [841189N001](#) [861471-000](#) [866647-000](#) [879515-000](#) [937577-000](#) [957073-000](#) [982033-2](#) [A77813-000](#) [R280576000](#) [D96192-000](#) [163549-000](#) [EN3BOOTLKIT](#) [MTPSRBCL-C](#) [1954015-1](#) [200W531-3-0](#) [202A163-4-0-CS5067](#) [202A343-3-00-0](#) [202B221-13-0](#) [202B231-13-0](#) [202B563-25-07-0](#) [202C241-13-0](#)