

REVISIONS					
P	LTR	DESCRIPTION	DATE	DWN	APVD
	K	PRODUCTION ISSUE	30JAN2019	PNT	MT

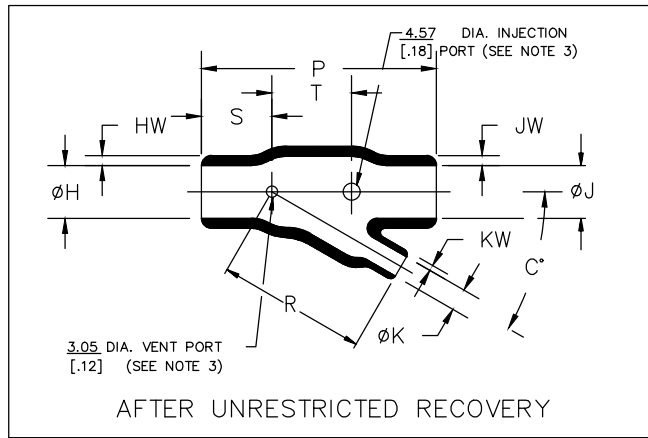
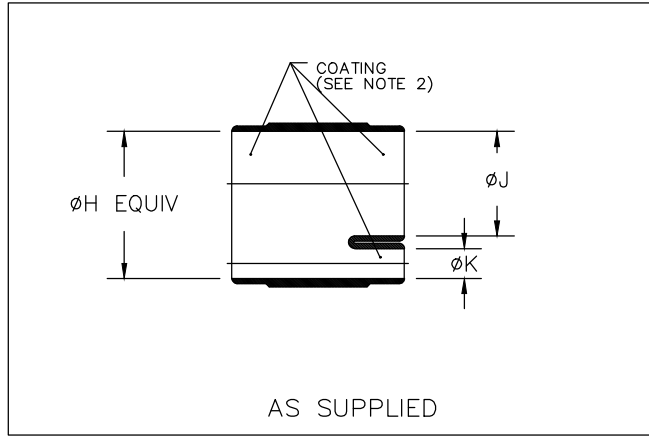


TABLE OF DIMENSIONS

PART NUMBER	H & J		K		P ±10% b	R ±10% b	S ±10% b	T ±10% b	HW ±20% b	JW ±20% b	KW ±20% b	C°	
	Min	Max	Min	Max								±10% a	±5% b
	a	b	a	b									
362A014	30.5 [1.20]	15.7 [.62]	20.0 [.80]	10.7 [.42]	82.6 [3.25]	50.8 [2.00]	31.8 [1.25]	21.1 [.83]	2.5 [.10]	2.5 [.10]	1.8 [.07]	10	30
362A024	35.6 [1.40]	18.3 [.72]	15.2 [.60]	8.6 [.34]	63.5 [2.50]	41.1 [1.62]	19.1 [.75]	22.4 [.88]	2.5 [.10]	2.5 [.10]	1.5 [.06]	10	30
362A114	35.6 [1.40]	18.8 [.74]	10.2 [.40]	5.3 [.21]	61.0 [2.40]	35.6 [1.40]	19.1 [.75]	21.3 [.84]	2.8 [.11]	2.8 [.11]	1.5 [.06]	10	30

THIS DRAWING IS UNPUBLISHED.

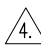
ALL RIGHTS RESERVED.

COPYRIGHT - TE Connectivity Ltd.

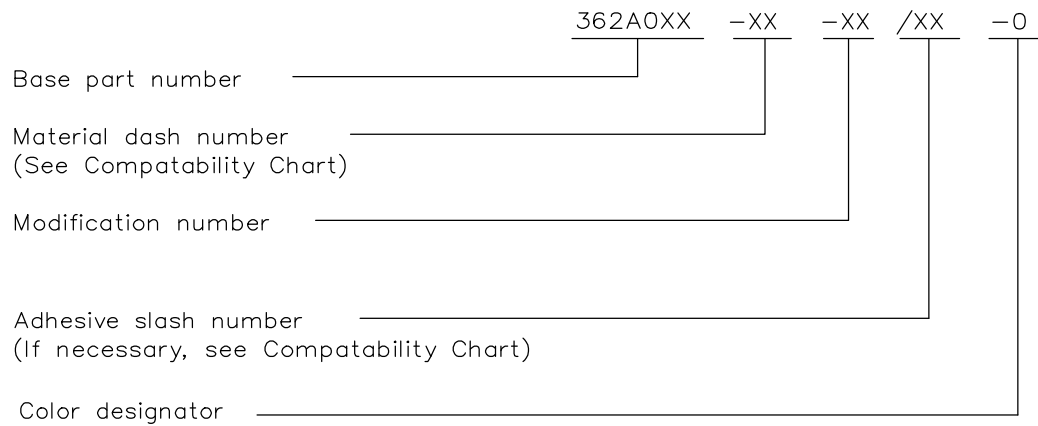
DIMENSIONS: mm [INCHES]	DWN	30JAN2019	MATERIAL	SEE SHEET 2	FINISH	-	
	CHK	30JAN2019	TE Connectivity Ltd.				
TOLERANCES UNLESS OTHERWISE SPECIFIED:	APVD	30JAN2019					
0 PLC ± -	PRODUCT SPEC	-	NAME TRANSITION, 30 DEGREES, SIDE BREAKOUT THINWALL				
1 PLC ± -	APPLICATION SPEC	-					
2 PLC ± -	WEIGHT	-	SIZE	A4	CAGE CODE	00779	
3 PLC ± -			DRAWING NO	G 362A014-XX-0THRU114-XX-0		RESTRICTED TO	-
4 PLC ± -							
ANGLES ± -							
			CUSTOMER DRAWING		SCALE	DNS	
			SHEET		1 OF 2	REV	K

REVISIONS

P	LTR	DESCRIPTION	DATE	DWN	APVD
	-	SEE SHEET 1	-	-	-

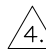
MATERIAL DASH NO.	MATERIAL DESCRIPTION	RT SPEC	COATING SLASH NO.	COATING S NO.
-3	Polyolefin, Semi-rigid	RT-301	/42; /86; /180	S1017;S1048;S1030
-4	Polyolefin, Flexible	RT-1304	/42; /86; /180	S1017;S1048;S1030
-12	Fluoroelastomer, Flexible	RT-1312	N/A	N/A
-25	Elastomer, Fluid Resistant	RW-2070	/42; /86; /225	S1017;S1048;S1206
-100	Polyolefin, Semi-flexible ZEROHAL	RW-2082	/86; /180 	S1048;S1030

ORDERING INFORMATION



NOTES


- Dimensions appearing in table are as follows:
 - a - As Supplied
 - b - After Unrestricted Recovery
- Coating is optional. As supplied dimensions appearing in table are for uncoated parts. When coating is added, entry diameters will be reduced by 1.5mm[.06]. max.
- Molding ports are optional. When -00 modification number is specified molding ports will be located as shown.

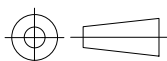
 /180 adhesive available only on 362A014.

RELEASED FOR PUBLICATION

ALL RIGHTS RESERVED.

© COPYRIGHT - TE Connectivity Ltd.

DIMENSIONS: mm [INCHES]	DWN PRAVEEN N T 30JAN2019	MATERIAL -	FINISH -		
	CHK N NAGAR 30JAN2019	 TE Connectivity Ltd.			
TOLERANCES UNLESS OTHERWISE SPECIFIED:	APVD M TAYLOR 30JAN2019			NAME TRANSITION, 30 DEGREES, SIDE BREAKOUT THINWALL	
0 PLC ± -	PRODUCT SPEC	SIZE	CAGE CODE	DRAWING NO	RESTRICTED TO
1 PLC ± -	---	A4	00779	C- 362A014-XX-0THRU114-XX-0	---
2 PLC ± -	APPLICATION SPEC	CUSTOMER DRAWING			
3 PLC ± -	---	SCALE	DNS		SHEET 2 OF 2
4 PLC ± -	---	WEIGHT		REV	K
ANGLES ± -	---				



X-ON Electronics

Largest Supplier of Electrical and Electronic Components

Click to view similar products for [Heat Shrink Cable Boots & End Caps](#) category:

Click to view products by [TE Connectivity](#) manufacturer:

Other Similar products are found below :

[577159N001](#) [645494-000](#) [CX4132-000](#) [687025-000](#) [705331-000](#) [718446-000](#) [725666N001](#) [729257-000](#) [F27131-000](#) [F85868-000](#) [770-003S106W2](#) [770-013210W1](#) [770-013311](#) [770-013312](#) [806542N001](#) [807507-000](#) [808362-000](#) [808618-000](#) [809125-000](#) [809130-000](#) [809218-000](#) [812014-000](#) [812047-000](#) [813166-000](#) [813767N002](#) [814741-000](#) [819117N001](#) [823026-000](#) [823070-000](#) [841189N001](#) [861471-000](#) [866647-000](#) [879515-000](#) [937577-000](#) [957073-000](#) [982033-2](#) [A77813-000](#) [R280576000](#) [D96192-000](#) [163549-000](#) [EN3BOOTLKIT](#) [MTPSRBCL-C](#) [1954015-1](#) [200W531-3-0](#) [202A163-4-0-CS5067](#) [202A343-3-00-0](#) [202B221-13-0](#) [202B231-13-0](#) [202B563-25-07-0](#) [202C241-13-0](#)