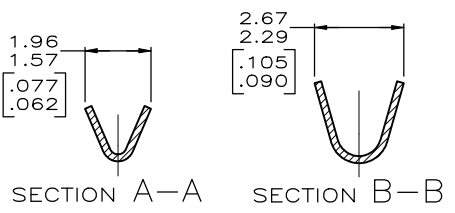
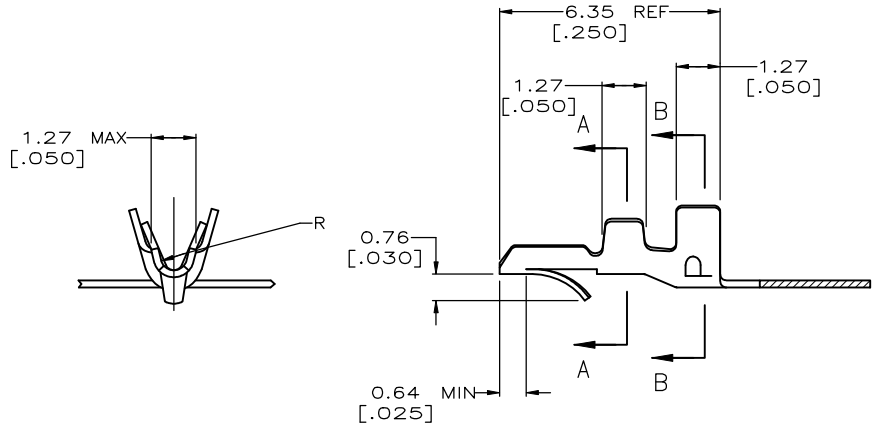
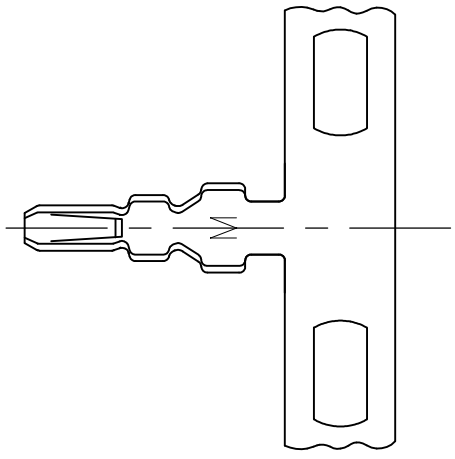
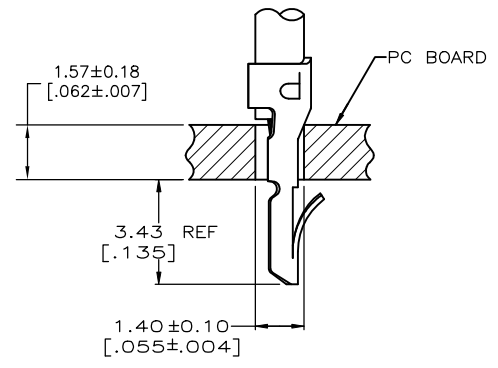


THIS DRAWING IS UNPUBLISHED. RELEASED FOR PUBLICATION
 © COPYRIGHT - By - ALL RIGHTS RESERVED.

REVISIONS				
NO	DATE	DESCRIPTION	BY	APP'D
1	J2	REVISED PER ECO-17-013369	J.Z	D.Z



METRIC

- PARTS COMPLY WITH AMP SOLDERABILITY SPEC 109-11-3.
- PARTS CAPABLE OF BEING APPLIED BY AMPOMATER.
- 0.00508 [.000200] MIN BRIGHT TIN-LEAD.
- WIRE RANGE: 0.12 - 0.4 mm² (26 - 22 AWG).
- INSULATION RANGE: 1.02 - 1.78 [.040 - .070] DIA.
- DIMENSIONS IN BRACKETS ARE IN INCHES.
- 0.00508 [.000200] MIN BRIGHT TIN.

	Δ	0.20[.008] PH BRZ	3-640663-1
OBSOLETE	Δ	0.20[.006] PH BRZ	640663-1
	FINISH	MATERIAL	PART NO

THIS DRAWING IS A CONTROLLED DOCUMENT.		DWN S. CARPENTER 21AUG2003	TE Connectivity Ltd.	
DIMENSIONS: INCHES		CHK J. ELLIS 21AUG2003		
TOLERANCES UNLESS OTHERWISE SPECIFIED:		APP'D J. ELLIS 21AUG2003	NAME MINI AMP-IN™	
0 PLC ± 1 PLC ± 2 PLC ± 3 PLC ± 0.13 [.005] 4 PLC ± ANGLES ±		PRODUCT SPEC		RESTRICTED TO
MATERIAL SEE TABLE		APPLICATION SPEC 114-1016		SIZE A2
FINISH SEE TABLE		WEIGHT 0.000000		CAGE CODE 00779
		DRAWING NO 640663		SCALE 10:1
		CUSTOMER DRAWING		SHEET 1 of 1
				REV J2

A/C BUSINESS GROUP 3323 177-34 RALPH VESTAL

640663

X-ON Electronics

Largest Supplier of Electrical and Electronic Components

Click to view similar products for [Terminals](#) category:

Click to view products by [TE Connectivity](#) manufacturer:

Other Similar products are found below :

[00-054007-01074-6](#) [00-054007-70206-1](#) [00-054007-70210-8](#) [00-054007-70217-7](#) [00-054007-70226-9](#) [00-054007-70228-3](#) [00-054007-70248-1](#) [00-054007-70256-6](#) [00-054007-70301-3](#) [00-054007-70316-7](#) [00-054007-49560-4](#) [00-054007-70209-2](#) [00-054007-70225-2](#) [00-054007-70227-6](#) [00-054007-70231-3](#) [00-054007-70241-2](#) [00-054007-70242-9](#) [00-054007-70244-3](#) [00-054007-70246-7](#) [00-054007-70263-4](#) [00-054007-70288-7](#) [00-054007-70290-0](#) [00-054007-70300-6](#) [00-054007-70304-4](#) [01-2065-1-0216](#) [01-2900-1-04412](#) [00581P0075](#) [600TS-10](#) [60205-1](#) [604200-1](#) [605601-1](#) [60598-1-CUT-TAPE](#) [61314-6-C](#) [61810-3](#) [61-S](#) [61-SN](#) [626-0194](#) [62-NBM-A](#) [62-SN](#) [62-SP](#) [63-S](#) [640179-1](#) [M55155/059I03](#) [M55155/079C01](#) [M55155/099H02](#) [M55155/109H01](#) [M55155/109H02](#) [M55155/12XH05](#) [M55155/16XH02](#) [M55155/29-5S](#)