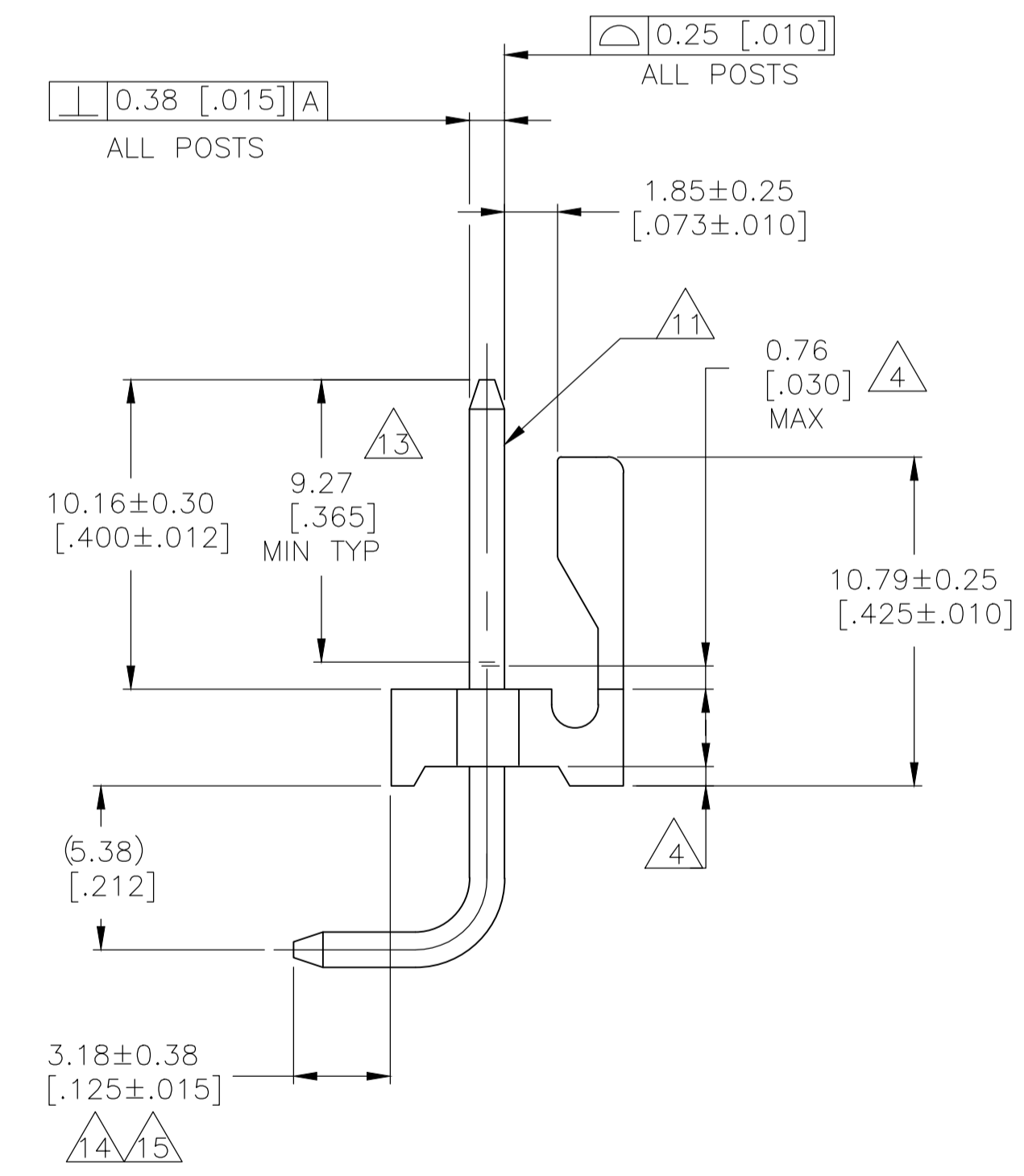
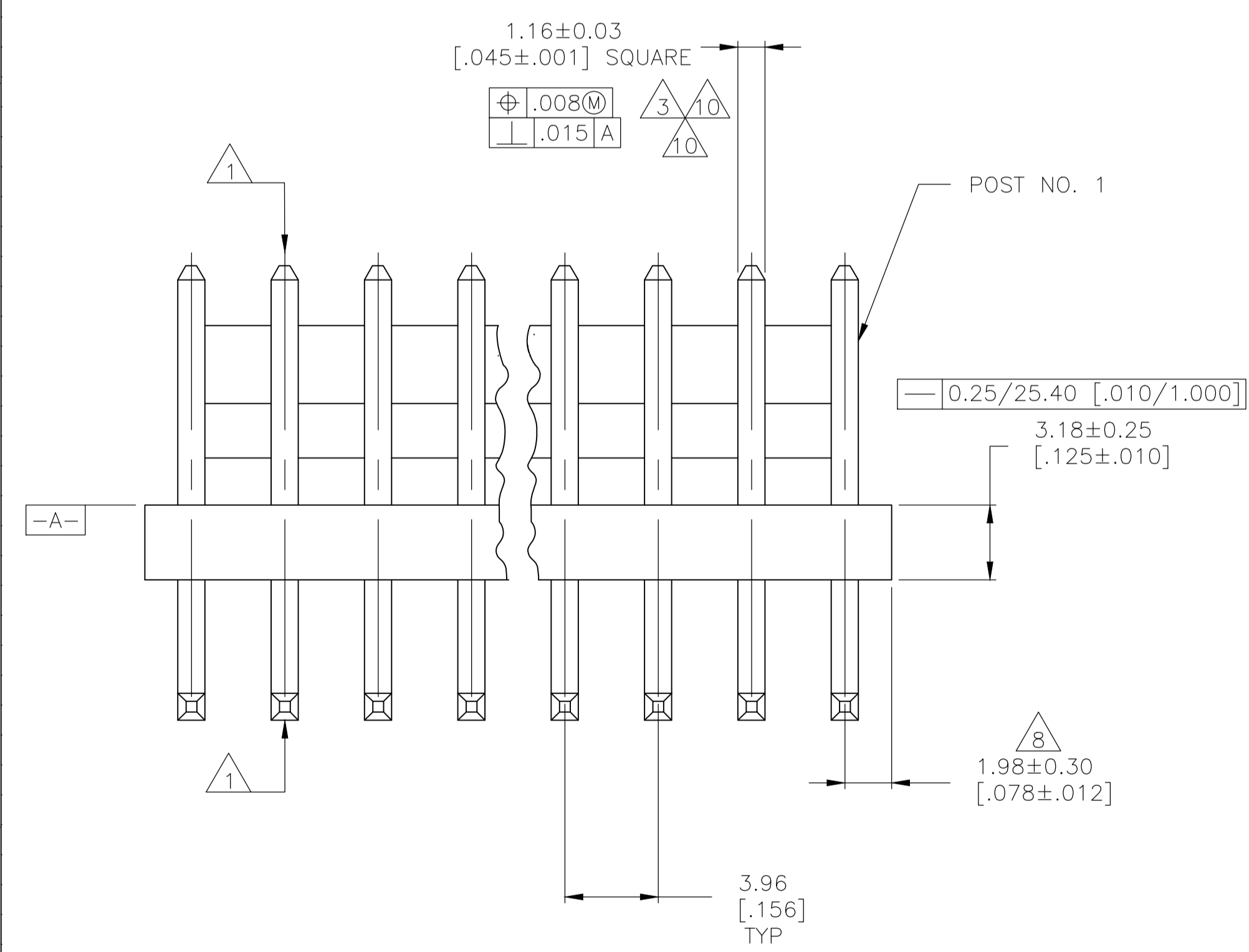
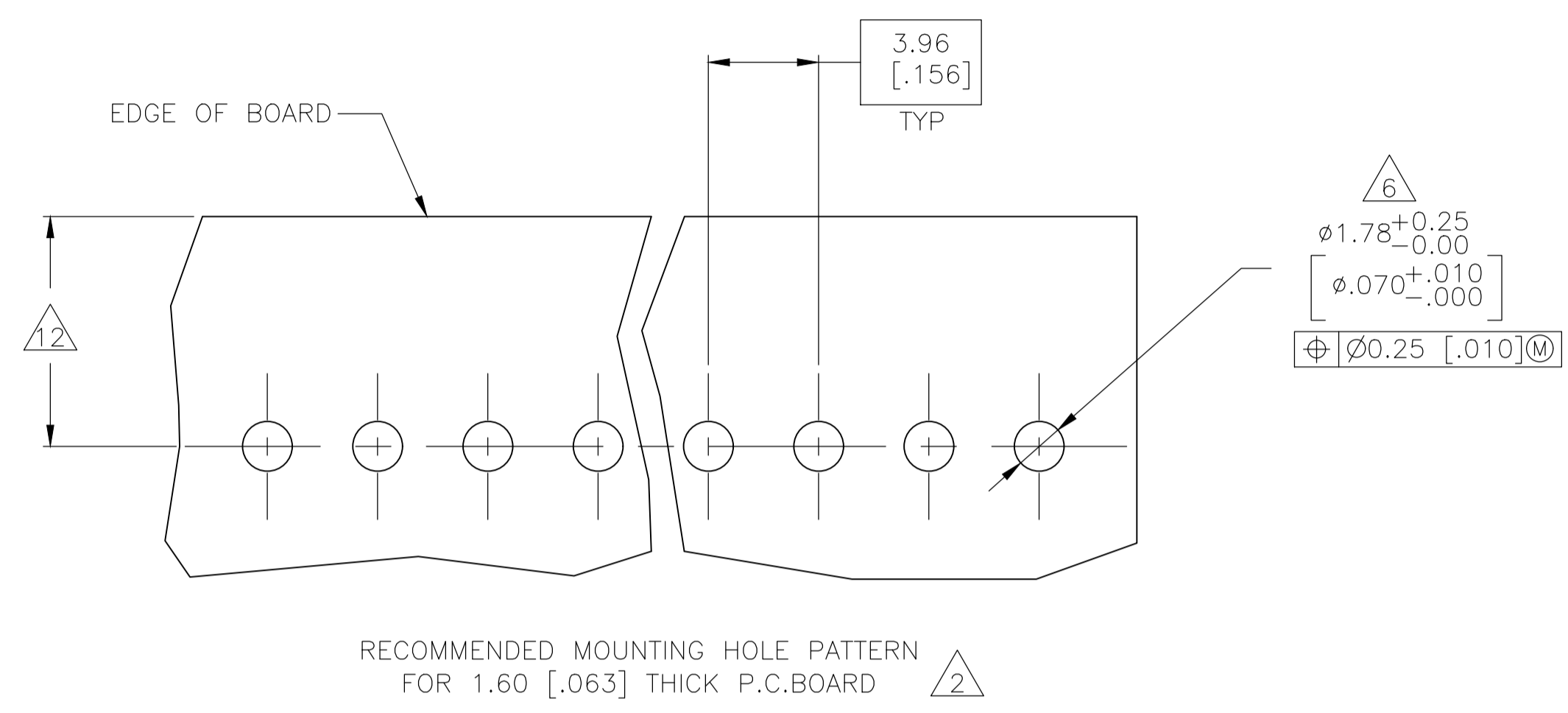
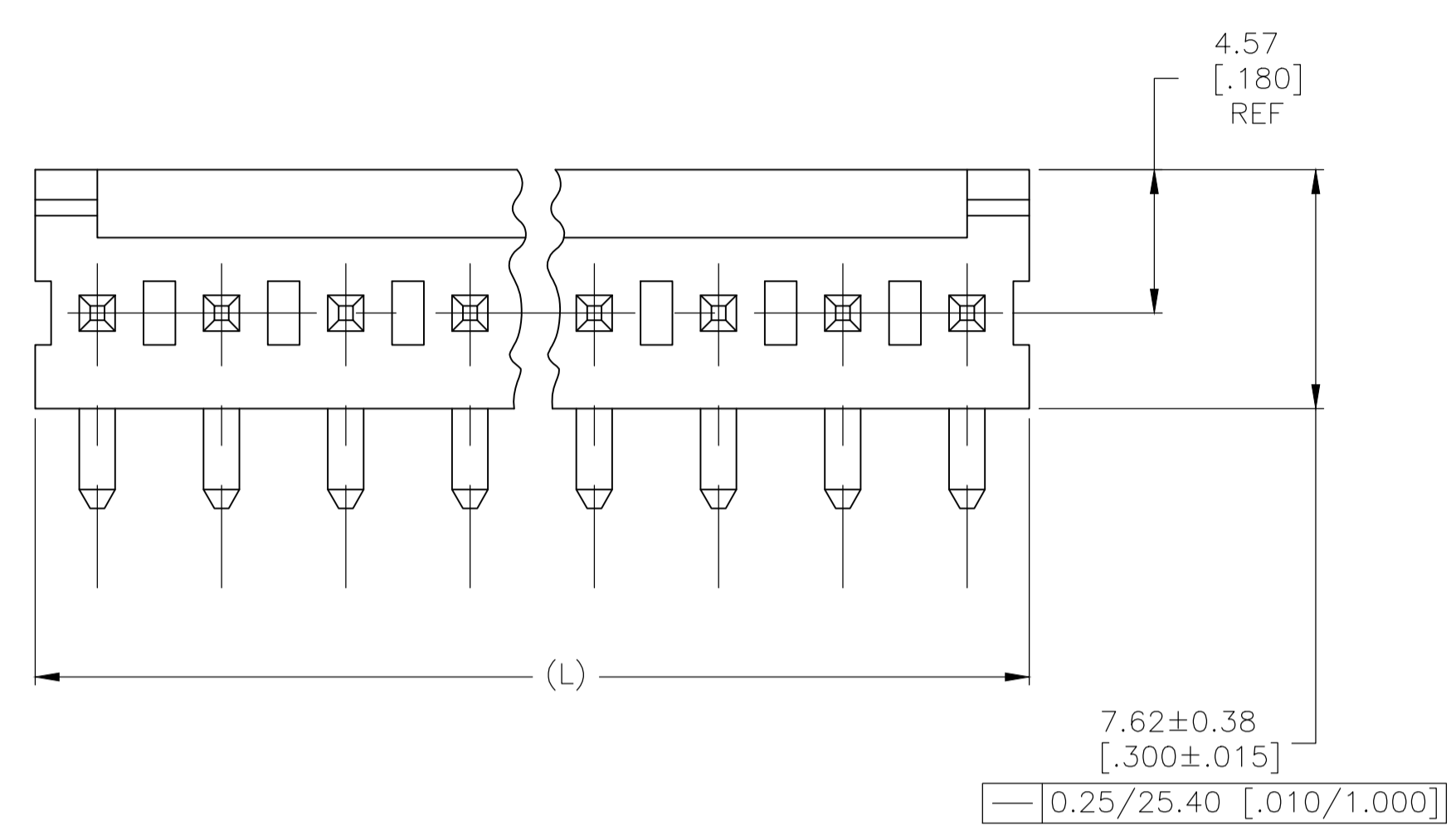


REVISIONS				
P	LTR	DESCRIPTION	DATE	APPD
AE1	REVISED PER ECO-19-012191		07AUG2019	RS SW



FINISH	L	MM	[IN]	NO. OF POSN	PART NUMBER
△3/15	95.10	3.744	24	5-641210-4	
△3/15	91.14	3.588	23	5-641210-3	
△3/15	87.17	3.432	22	5-641210-2	
△3/15	83.21	3.276	21	5-641210-1	
△3/15	79.25	3.120	20	5-641210-0	
△3/15	75.29	2.964	19	4-641210-9	
△3/15	71.32	2.808	18	4-641210-8	
△3/15	67.36	2.652	17	4-641210-7	
△3/15	63.40	2.496	16	4-641210-6	
△3/15	59.44	2.340	15	4-641210-5	
△3/15	55.47	2.184	14	4-641210-4	
△3/15	51.51	2.028	13	4-641210-3	
△3/15	47.55	1.872	12	4-641210-2	
△3/15	43.59	1.716	11	4-641210-1	
△3/15	39.62	1.560	10	4-641210-0	
△3/15	35.66	1.404	9	3-641210-9	
△3/15	31.70	1.248	8	3-641210-8	
△3/15	27.74	1.092	7	3-641210-7	
△3/15	23.77	.936	6	3-641210-6	
△3/15	19.81	.780	5	3-641210-5	
△3/15	15.85	.624	4	3-641210-4	
△3/15	11.89	.468	3	3-641210-3	
△3/15	7.92	.312	2	3-641210-2	

FINISH	L	MM	[IN]	NO. OF POSN	PART NUMBER
△3/14	95.10	3.744	24	2-641210-4	
△3/14	91.14	3.588	23	2-641210-3	
△3/14	87.17	3.432	22	2-641210-2	
△3/14	83.21	3.276	21	2-641210-1	
△3/14	79.25	3.120	20	2-641210-0	
△3/14	75.29	2.964	19	1-641210-9	
△3/14	71.32	2.808	18	1-641210-8	
△3/14	67.36	2.652	17	1-641210-7	
△3/14	63.40	2.496	16	1-641210-6	
△3/14	59.44	2.340	15	1-641210-5	
△3/14	55.47	2.184	14	1-641210-4	
△3/14	51.51	2.028	13	1-641210-3	
△3/14	47.55	1.872	12	1-641210-2	
△3/14	43.59	1.716	11	1-641210-1	
△3/14	39.62	1.560	10	1-641210-0	
△3/14	35.66	1.404	9	1-641210-9	
△3/14	31.70	1.248	8	1-641210-8	
△3/14	27.74	1.092	7	1-641210-7	
△3/14	23.77	.936	6	1-641210-6	
△3/14	19.81	.780	5	1-641210-5	
△3/14	15.85	.624	4	1-641210-4	
△3/14	11.89	.468	3	1-641210-3	
△3/14	7.92	.312	2	1-641210-2	

- △1 POST TO WITHSTAND 13 NEWTONS (3LBS.) MINIMUM AXIAL FORCE IN BOTH DIRECTIONS SHOWN WITHOUT DISLODGING.
- △2 TOLERANCES APPLY TO SOLDER SIDE OF BOARD.
- △3 MEASURED AT SURFACE -A-
- △4 PLASTIC FLASH PERMITTED IN THIS AREA.
- △5 PARTS COMPLY WITH AMP SOLDERABILITY SPEC. NO. 109-11-2.
- △6 ONE HOLE MAY BE UNDERSIZED 1.65-1.52 [.065-.060] DIA. FOR ASSEMBLY RETENTION DURING WAVE SOLDERING.
- △7 MATERIAL: HEADER-THERMOPLASTIC POLYESTER
GLASS-FILLED 94V-0 (NATURAL)
POST-COPPER ALLOY (SEE NOTES 13 & 14 FOR PLATING)
- △8 COORDINATE DIMENSION APPLIES FROM CENTER OF ACTUAL FEATURE.
- △9 PLASTIC BURRS CAUSED BY CUT-OFF TOOLING ARE PERMITTED WITHIN THE MAXIMUM TOLERANCE ENVELOPE.
- △10 POST TO BE MEASURED WHEN STRIP IS HELD FLAT.
- △11 POST MUST WITHSTAND TWO 90° BENDS AGAINST EXTRUSION WITHOUT BREAKING.
- △12 DIMENSION SHOULD BE 8.25-10.16 [.325-.400] WHEN MATING WITH A MTA 156 CONNECTOR ASSEMBLY OR 8.25-10.16 [.325-.345] WHEN MATING WITH A SL-156 CONNECTOR ASSEMBLY.
- △13 PLATING: GOLD PLATE AREA, 0.00076 [.000030] GOLD OR 0.00008 [.000003] MIN GOLD FLASH OVER 0.00068 [.000027] PALLADIUM NICKEL, PER TE CONNECTIVITY'S DISCRETION, ALL SIDES, OVER NICKEL UNDERPLATE, 0.00127 [.000050] MIN, ALL SIDES AND ENTIRE LENGTH OF POST.
- △14 BRIGHT TIN/LEAD (93/7) PLATE AREA, 0.00381-0.0089 [.000150-.000350] THICK, ALL FOUR SIDES, 3.18 [.125] MINIMUM.
- △15 MATTE TIN PLATE AREA, [0.00381-0.0089] [.000150-.000350] THICK, ALL FOUR SIDES, 3.18 [.125] MINIMUM.
- △16 OBSOLETE PARTS: OBSOLETE CIS STREAMLINING PER D.RENAUD/D.SINISI

METRIC

THIS DRAWING IS A CONTROLLED DOCUMENT.

DIMENSIONS: mm [INCHES]

TOLERANCES UNLESS OTHERWISE SPECIFIED:

0. PLC	± .005
1. PLC	± .005
2. PLC	± .005
3. PLC	± .005
4. PLC	± .005
ANGLES	± .005

MATERIAL: △7 FINISH: △8

APPROVED: S. HOOVER 07NOV02, D. ROSSI 07NOV02, D. ROSSI 07NOV02

NAME: MTA--156 HDR ASBLY, FRICTION LOCK, R ANGLE, FRONT BEND .045 SQ POST, .000030 Au

SIZE: A1, CAGE CODE: 00779, DRAWING NO: 641210, WEIGHT: 0.000000

CUSTOMER DRAWING, SCALE: 5:1, SHEET: 1 OF 1, REV: AE1

STE TE Connectivity

X-ON Electronics

Largest Supplier of Electrical and Electronic Components

Click to view similar products for [Headers & Wire Housings](#) category:

Click to view products by [TE Connectivity](#) manufacturer:

Other Similar products are found below :

[95000-104TRLF](#) [10135584-644402LF](#) [DF62W-EP2022PCA](#) [95000-106TRLF](#) [DF62W-2022SCA](#) [DF62W-EP2022PC](#) [2203348](#) [DF62W-2022SC](#) [1084018](#) [1029039](#) [1084017](#) [802-10-012-10-002000](#) [1112640](#) [1112639](#) [000-34000](#) [0009482033](#) [0009507031](#) [57102-S06-03LF](#) [57202-S52-04LF](#) [PCN6-15S-2.5E](#) [0039019024](#) [58102-G61-06LF](#) [582553-1](#) [0009508121](#) [0050291907](#) [018731A](#) [LY20-4P-DT1-P1E-BR](#) [02.125.8002.8](#) [60101931](#) [60598-1 \(Cut Strip\)](#) [M1625-3R/100](#) [61062-3](#) [61082-181009](#) [636-1427](#) [638009-1](#) [641938-9](#) [641991-4](#) [644168-1](#) [647662-1](#) [65039-019ELF](#) [65817-002LF](#) [65817-015LF](#) [65863-015LF](#) [66207-023LF](#) [67016-026LF](#) [67046-001LF](#) [67095-007LF](#) [68002-116](#) [68016-236H](#) [68648-049](#)