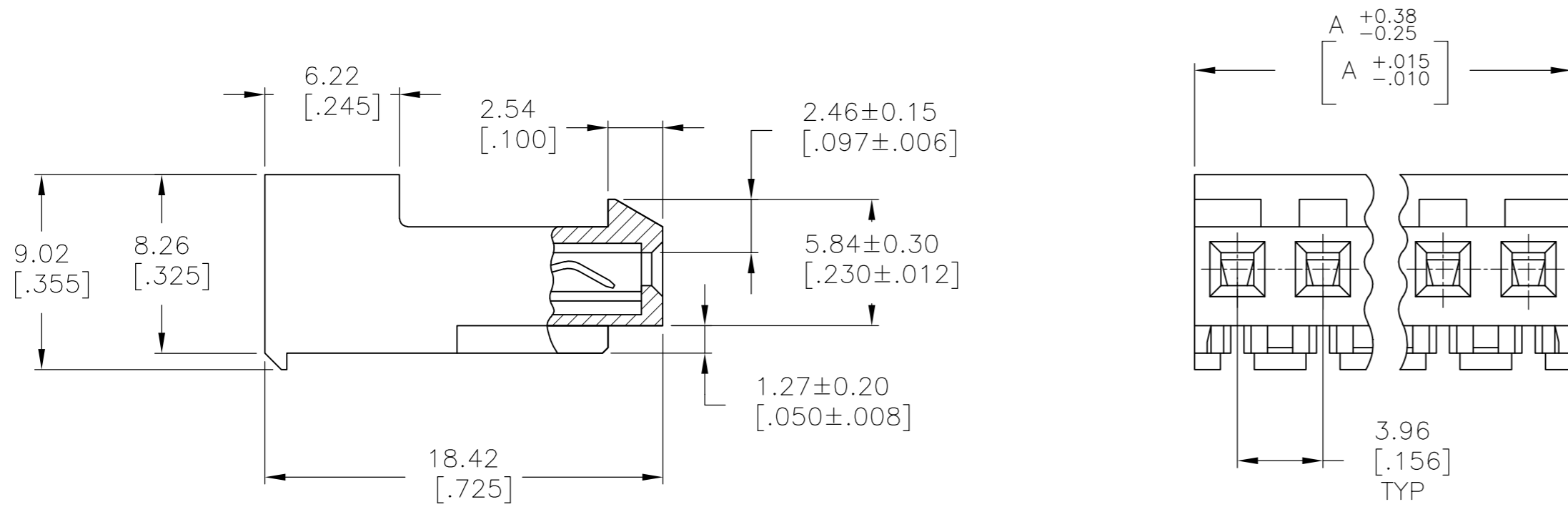
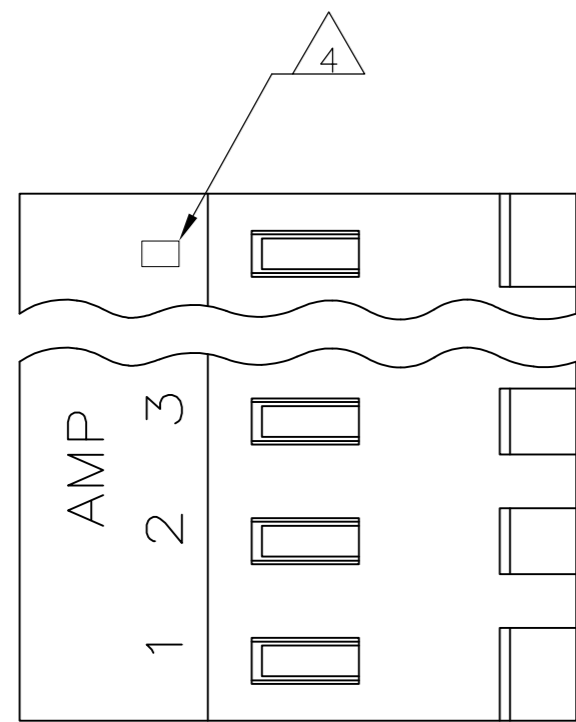


THIS DRAWING IS UNPUBLISHED. RELEASED FOR PUBLICATION
 © COPYRIGHT - By - TE CONNECTIVITY ALL RIGHTS RESERVED.

LOC	DIST	REVISIONS					
		P	LTR	DESCRIPTION	DATE	DWN	APVD
CM	54	T2		REVISED PER ECR-15-006687	26OCT2015	NK	NL



1 MATERIAL: CONNECTOR - NYLON UL94V-2(RED).
 CONTACTS - 0.30[.012] THICK COPPER ALLOY
 0.00076[.000030] GOLD THK OR 0.00008[.000003] MIN THK
 GOLD FLASH OVER 0.00068[.000027] THK PALLADIUM NICKEL,
 PER TE CONNECTIVITY'S DISCRETION. IN CONTACT
 AREA WITH MATTE TIN FOR 641219-2
 THRU 2-641219-4, MATTE WHISKER MITIGATED TIN FOR 3-641219-2
 THRU 5-641219-4 OVER NICKEL UNDERPLATE.

2 CONTACTS ACCEPT 22 AWG WIRE WITH 2.41[.095] MAX
 INSULATION DIAMETER.

3 CONTACTS MUST ACCEPT 1.14±0.03 [.045±.001] SQUARE
 POST AND REMAIN LOCKED IN POSITION.

4 IDENTIFICATION NUMBER FOR LAST CIRCUIT MAY
 NOT APPEAR ON ALL ASSEMBLIES.

5 DIMENSIONS IN BRACKETS ARE IN INCHES.

6 HOUSING FEATURES ARE: CLOSED END WITH LOCKING
 RAMP.

7 OBSOLETE PARTS: OBSOLETE CIS STREAMLINING PER D.RENAUD/D.SINISI.

DIM A	NO OF CIRCUITS	PART NO
95.10 [3.744]	24	5-641219-4
91.14 [3.588]	23	5-641219-3
87.17 [3.432]	22	5-641219-2
83.21 [3.276]	21	5-641219-1
79.25 [3.120]	20	5-641219-0
75.29 [2.964]	19	4-641219-9
71.32 [2.808]	18	4-641219-8
67.36 [2.652]	17	4-641219-7
63.40 [2.496]	16	4-641219-6
59.44 [2.340]	15	4-641219-5
55.47 [2.184]	14	4-641219-4
51.51 [2.028]	13	4-641219-3
47.55 [1.872]	12	4-641219-2
43.59 [1.716]	11	4-641219-1
39.62 [1.560]	10	4-641219-0
35.66 [1.404]	9	3-641219-9
31.70 [1.248]	8	3-641219-8
27.74 [1.092]	7	3-641219-7
23.77 [.936]	6	3-641219-6
19.81 [.780]	5	3-641219-5
15.85 [.624]	4	3-641219-4
11.89 [.468]	3	3-641219-3
7.92 [.312]	2	3-641219-2

7	SUPERCEDED BY 5-641219-4	95.10 [3.744]	24	2-641219-4
7	SUPERCEDED BY 5-641219-3	91.14 [3.588]	23	2-641219-3
7	SUPERCEDED BY 5-641219-2	87.17 [3.432]	22	2-641219-2
7	SUPERCEDED BY 5-641219-1	83.21 [3.276]	21	2-641219-1
7	SUPERCEDED BY 5-641219-0	79.25 [3.120]	20	2-641219-0
7	SUPERCEDED BY 4-641219-9	75.29 [2.964]	19	1-641219-9
7	SUPERCEDED BY 4-641219-8	71.32 [2.808]	18	1-641219-8
7	SUPERCEDED BY 4-641219-7	67.36 [2.652]	17	1-641219-7
7	SUPERCEDED BY 4-641219-6	63.40 [2.496]	16	1-641219-6
7	SUPERCEDED BY 4-641219-5	59.44 [2.340]	15	1-641219-5
7	SUPERCEDED BY 4-641219-4	55.47 [2.184]	14	1-641219-4
7	SUPERCEDED BY 4-641219-3	51.51 [2.028]	13	1-641219-3
	OBSOLETE	47.55 [1.872]	12	1-641219-2
7	SUPERCEDED BY 4-641219-1	43.59 [1.716]	11	1-641219-1
7	SUPERCEDED BY 4-641219-0	39.62 [1.560]	10	1-641219-0
	OBSOLETE	35.66 [1.404]	9	-641219-9
	OBSOLETE	31.70 [1.248]	8	-641219-8
	OBSOLETE	27.74 [1.092]	7	-641219-7
7	SUPERCEDED BY 3-641219-6	23.77 [.936]	6	641219-6
	OBSOLETE	19.81 [.780]	5	-641219-5
	OBSOLETE	15.85 [.624]	4	-641219-4
	OBSOLETE	11.89 [.468]	3	-641219-3
	OBSOLETE	7.92 [.312]	2	-641219-2

DIM A	NO OF CIRCUITS	PART NO
-------	----------------	---------

THIS DRAWING IS A CONTROLLED DOCUMENT.

DWN B. LEWIS 12 FEB 91		MTA-156 CONNECTOR ASSEMBLY, 22 AWG, STANDARD		
CHK R. SWING 12 FEB 91				
APVD D. CLARK 20 FEB 91				
PRODUCT SPEC 108-1051				
APPLICATION SPEC 114-1020	SIZE A2	CAGE CODE 00779	DRAWING NO C-641219	RESTRICTED TO -
MATERIAL 1	WEIGHT -	SCALE 4:1	SHEET 1 OF 1	REV T2

CUSTOMER DRAWING

X-ON Electronics

Largest Supplier of Electrical and Electronic Components

Click to view similar products for te connectivity manufacturer:

Other Similar products are found below :

[570416-000](#) [CLTEQ-M81CE-SSRELAY-4-20V](#) [D38999/24FJ4AN](#) [358838-000](#) [4-1195131-0](#) [650069-000](#) [SMD100-2](#) [CB-1022B-78](#)
[RM707012](#) [RP410012](#) [MMS42](#) [1-640426-8](#) [2EDL4CM](#) [DTS20W19-11PD-3028-LC](#) [RM202615](#) [NC6-P104-06](#) [MSPS103B](#) [DTS26F21-41AE](#) [DTS26F21-41PE-LC](#) [DTS26F21-11SE-3028-LC](#) [1932144-1](#) [293545-4](#) [LVR125S](#) [MS27466T25F4PB](#) [CKB-38-78010](#)
[1206SFF150F/63-2](#) [D38999/20JB35HA](#) [D38999/24WJ20PA](#) [1754138-1](#) [TE1500A2R2J](#) [DTS24F25-29PC-3028-LC](#) [D38999/24WG11HA](#)
[D38999/24WG11HN](#) [MS27467T21F11H](#) [DJT16E21-11HA](#) [1206SFH150F/24-2](#) [DTS24F19-11SC-3028-LC](#) [DTS24F21-41HN-LC](#)
[DTS24F21-41AN](#) [DTS24F21-41PN-LC](#) [MS27467T21F35J](#) [MS27467T21F11J](#) [MS27467T21F16H-LC](#) [MS27467T21F35H](#)
[MS27467T21F41H-LC](#) [DJT16E21-11PA-LC](#) [DJT16E21-11HA-LC](#) [DJT16E21-11AA](#) [MS27467T21B11JA](#) [DJT16E21-11JA](#)