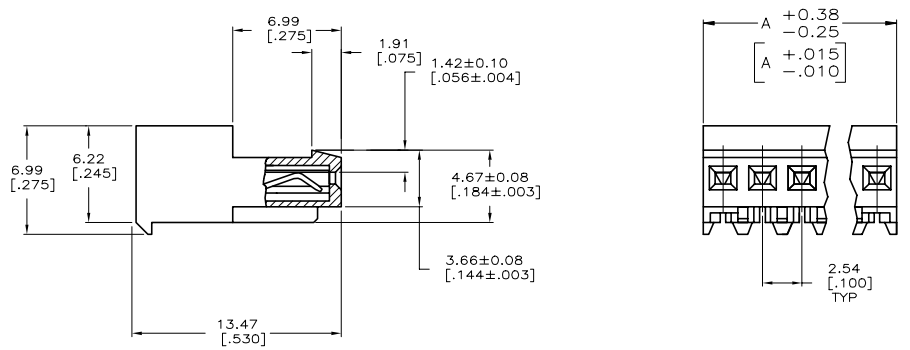
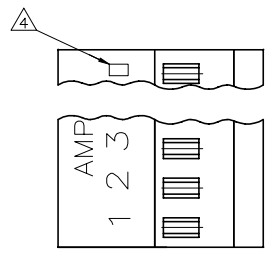


- 1 MATERIAL: CONNECTOR-NYLON UL94V-2 (WHITE).
 CONTACTS-0.30 [.012] THICK COPPER ALLOY
 BRIGHT TIN-LEAD 0.00203 [.000080] MINIMUM THICK FOR CONTACTS
 641535-2 THRU 641535-6,
 MATTE WHISKER MITIGATED TIN PLATE 0.00203 [.000080] MINIMUM THICK OVER
 NICKEL UNDERPLATE FOR CONTACTS 3-641535-2 THRU 3-641535-6.
- 2. CONTACTS ACCEPT 24 AWG WIRE WITH 1.52 [.060] MAXIMUM INSULATION DIAMETER.
- 3. CONTACTS MUST ACCEPT 0.36-0.51 [.014-.020] SQUARE OR ROUND POST AND
 REMAINED LOCKED IN POSITION.
- 4 IDENTIFICATION NUMBER FOR LAST CIRCUIT MAY NOT APPEAR ON ALL ASSEMBLIES.
- 5. DIMENSIONS IN BRACKETS ARE IN INCHES.
- 6. HOUSING FEATURES ARE: CLOSED END WITH LOCKING RAMP & LED CONTACT.
- 7 OBSOLETE PARTS: OBSOLETE CIS STREAMLINING PER D.RENAUD/D.SINISI
- 8 OBSOLETE PARTS



LEAD FREE			
	15.24 [.600]	6	3-641535-6
	12.70 [.500]	5	3-641535-5
	7.62 [.300]	3	3-641535-3
	5.08 [.200]	2	3-641535-2
	DIM A	NO.OF POSN	ASSEMBLY

CONTAINS LEAD			
	15.24 [.600]	6	3-641535-6
	12.70 [.500]	5	3-641535-5
	7.62 [.300]	3	3-641535-3
	5.08 [.200]	2	3-641535-2
	DIM A	NO.OF POSN	ASSEMBLY

8 SUPERSEDED
 7 SUPERSEDED
 7 SUPERSEDED
 OBSOLETE

THIS DRAWING IS A CONTROLLED DOCUMENT.		DRG: S. HOOVER 10-DEC-2004	TE Connectivity
DIMENSIONS: mm (INCHES)		CHK: B. BOSSI 10-DEC-2004	
DRAWING RELEASED TO:		APP: T. BOSSI 10-DEC-2004	NAME
0.100 (4.000) MINIMUM THICKNESS		MTA-100 CONNECTOR ASSEMBLY.	
0.100 (4.000) MINIMUM THICKNESS		24 AWG, FOR .014 TO .020 POST, SPECIAL	
0.100 (4.000) MINIMUM THICKNESS		PRODUCT SPEC	
0.100 (4.000) MINIMUM THICKNESS		108-1050	
0.100 (4.000) MINIMUM THICKNESS		APPLICATION SPEC	
0.100 (4.000) MINIMUM THICKNESS		114-1019	
MATERIAL	FINISH	WEIGHT	SIZE CASE CODE DRAWING NO. RESTRICTED TO
1	1	A1	00779 C-641535
CUSTOMER DRAWING		SCALE 5:1	SHEET 1 of 1 REV P

X-ON Electronics

Largest Supplier of Electrical and Electronic Components

Click to view similar products for [Headers & Wire Housings](#) category:

Click to view products by [TE Connectivity](#) manufacturer:

Other Similar products are found below :

[892-18-020-10-001101](#) [58102-G61-06LF](#) [582553-1](#) [0009485154](#) [009176003701906](#) [0050291907](#) [LY20-4P-DT1-P1E-BR](#) [02.125.8002.8](#)
[609-3404](#) [61062-3](#) [61082-181009](#) [622-3653LF](#) [63453-116](#) [636-1030](#) [636-1427](#) [636-3427](#) [636-4007](#) [641938-9](#) [641991-4](#) [644827-2](#) [65817-010LF](#) [65817-015LF](#) [65863-015LF](#) [66207-023LF](#) [67095-007LF](#) [67601157](#) [68645-018](#) [68648-049](#) [70.362.1628.0](#) [70-4210](#) [70-4226B](#) [70-4853B](#) [707-5020](#) [707-5028](#) [71.350.2428.0](#) [71918-208LF](#) [71961-016LF](#) [733-134](#) [733-162](#) [754199-000](#) [760-3052](#) [787-8014-00](#) [79531-3000](#)
[FCN-360C032-B](#) [FCN-367T-T012/H](#) [FCN-723D010/2](#) [80.063.4001.1](#) [800-90-001-10-001000](#) [800-90-010-10-002000](#) [801-43-002-10-013000](#)