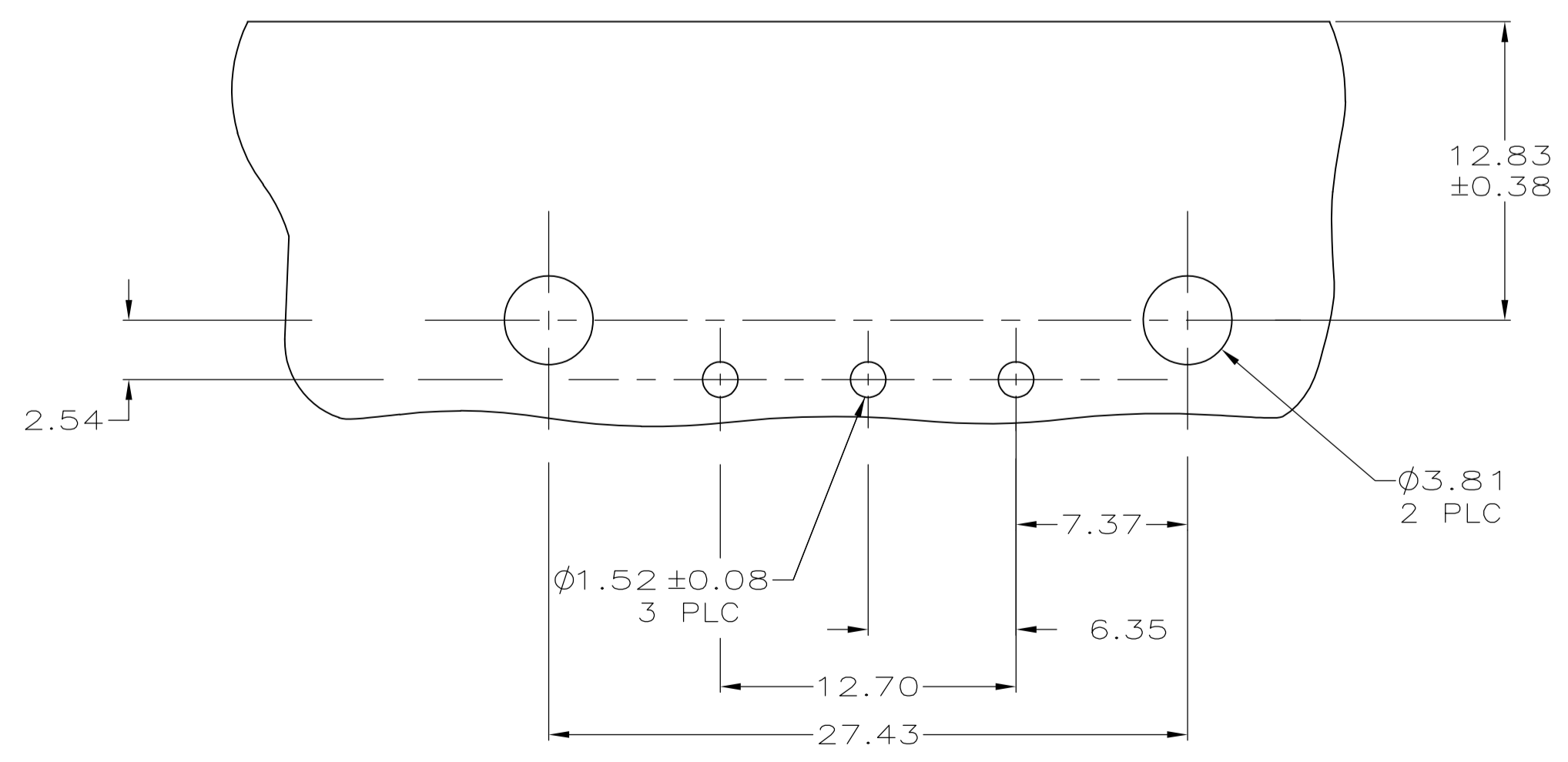


SECTION B-B

SECTION A-A
SCALE 10:1



RECOMMENDED MOUNTING HOLE PATTERN FOR 1.57 THICK P.C. BOARD

- 1 PARTS COMPLY WITH AMP SOLDERABILITY SPECIFICATION 109-11-5.
- 3 0.00076 GOLD OVER 0.00127 MIN NICKEL WITH MATTE TIN LEAD ON SOLDER TAIL.
- 4 CIRCUIT IDENTIFICATION CHARACTERS ARE ADJACENT TO THE INDICATED CAVITIES, BUT LOCATION AND ORIENTATION MAY DIFFER FROM PRINT.
- 5 0.00076 GOLD OVER 0.00127 MIN NICKEL WITH MATTE TIN ON SOLDER TAIL.
- 6 SUPERSEDED BY 3-643228-0

2.54	.100		
2.03	.080	37.97	1.495
1.91	.075	27.43	1.080
1.57	.062	20.32	.800
1.52	.060	17.27	.680
1.27	.050	12.83	.505
0.38	.015	12.70	.500
0.25	.010	9.14	.360
0.13	.005	7.37	.290
0.08	.003	6.35	.250
0.00127	.000050	4.06	.160
0.00076	.000030	3.81	.150
MM	IN	MM	IN

CONVERSION TABLE

PH BRZ, 5	NYLON UL 94V-0	3-643228-0
PH BRZ, 3	NYLON UL 94V-0	643228-2
PH BRZ, TIN	NYLON UL 94V-0	643228-1
CONTACT	HOUSING	PART NUMBER

THIS DRAWING IS A CONTROLLED DOCUMENT.		DIN K. WHITAKER 21APR2005	TE Connectivity
DIMENSIONS: mm		CHK S. RIDGILL 21APR2005	
TOLERANCES UNLESS OTHERWISE SPECIFIED:		APVD S. RIDGILL 21APR2005	NAME
0 PLC ± -			SOCKET HEADER ASSEMBLY, RIGHT ANGLE MOUNT, 3 POSITION, UNIVERSAL MATE-N-LOK(TM)
1 PLC ± -			APPLICATION SPEC
2 PLC ± 0.13			SIZE CASE CODE DRAWING NO
3 PLC ± -			A1 00779 C=643228
4 PLC ± -			RESTRICTED TO
ANGLES ± -			WEIGHT
			SCALE 4:1 SHEET 1 OF 1 REV D2

X-ON Electronics

Largest Supplier of Electrical and Electronic Components

Click to view similar products for [Pin & Socket Connectors](#) category:

Click to view products by [TE Connectivity](#) manufacturer:

Other Similar products are found below :

[6450822-1](#) [770392-1](#) [794042-1](#) [796885-1](#) [8-794535-1](#) [881459-2](#) [R929993003](#) [1-350779-3](#) [1403611-1](#) [1-480349-5](#) [152302-5](#) [1586092-1](#)
[1586129-1](#) [1586487-1](#) [1586681-4](#) [1586700-1](#) [1586065-1](#) [1586077-1](#) [1586368-1](#) [1586380-1](#) [1586616-1](#) [1586680-5](#) [1586681-2](#) [1604996-1](#)
[16-06-0038](#) [164164-5](#) [1-6609930-1](#) [172296-1](#) [1-794714-6](#) [19-09-2035](#) [1969804-1](#) [200503-1](#) [200788-2](#) [201046-7](#) [202648-4](#) [2029076-2](#)
[2029090-4](#) [2029095-4](#) [2-66102-6](#) [925061-7](#) [926681-1](#) [293734-4](#) [293737-2](#) [1-765362-4](#) [1-794606-3](#) [1871534-1](#) [1969795-1](#) [1969798-1](#)
[1969800-1](#) [200833-4](#)