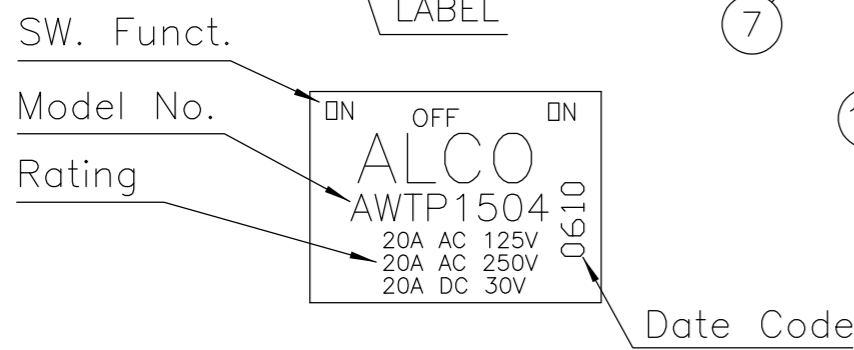
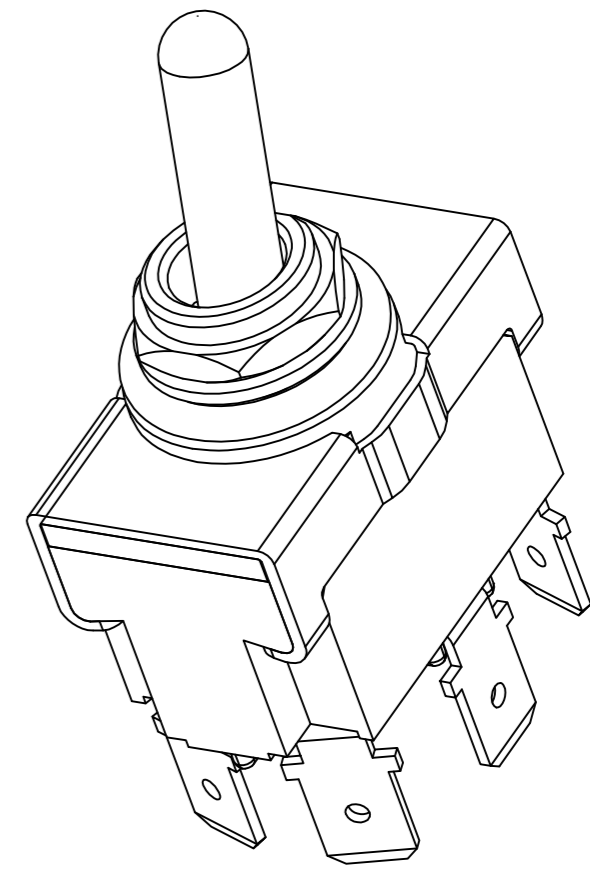
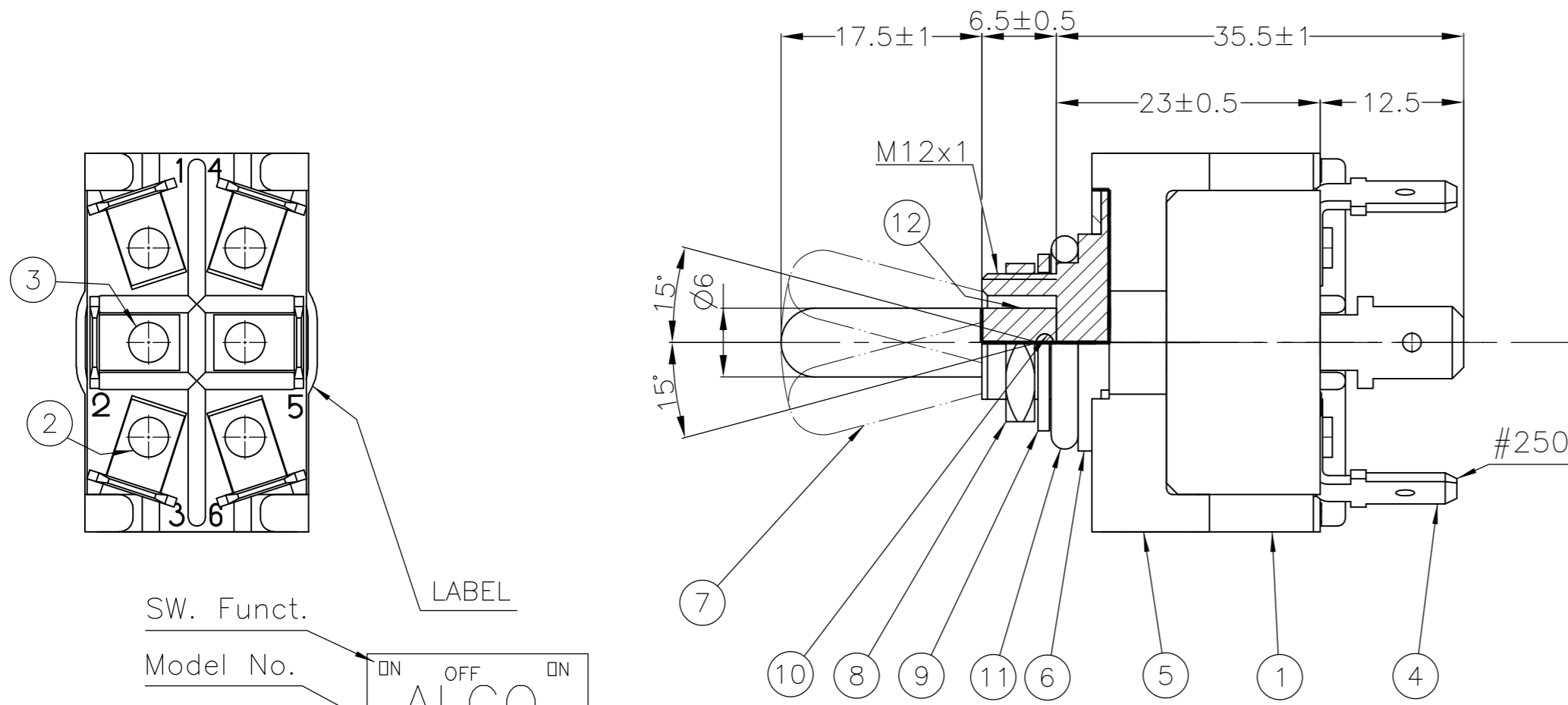


THIS DRAWING IS UNPUBLISHED. RELEASED FOR PUBLICATION
 © COPYRIGHT - BY - ALL RIGHTS RESERVED.

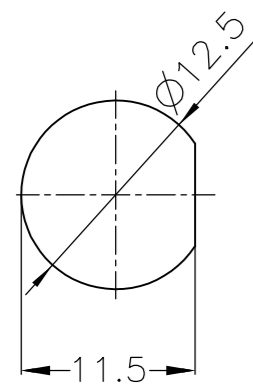
LOC		DIST		REVISIONS			
P	LTR	DESCRIPTION		DATE	DWN	APVD	
B2		REVISED PER ECO-13-015855		11OCT2013	KH	RH	



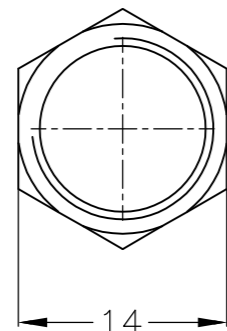
Example
0610
 Year Month
 2006 Oktober

- 1 OPERATING TEMPERATURE -20°C to +70°C
- 2 OPERATING FORCE MAX 29,4N
- 3 ALL MATERIALS AND FINISHES COMPLY WITH ROHS DIRECTIVE

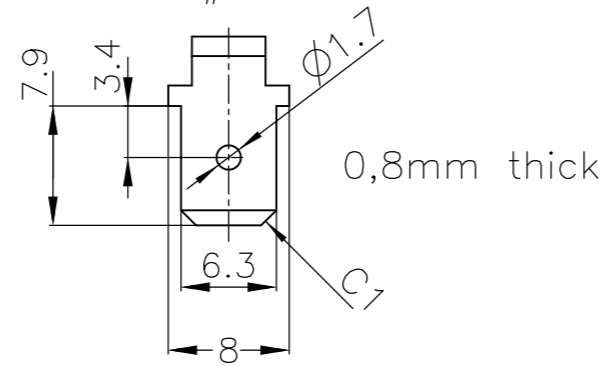
MOUNTING HOLE



NUT (8)



TERMINAL #250



Function Chart		
Terminals 1 and 2 4 and 5		Terminals 2 and 3 5 and 6
ON	NONE	ON
ON	OFF	ON
ON	NONE	(ON)
(ON)	OFF	(ON)
ON	OFF	(ON)

(ON) : momentary action
 OFF : mechanical position without electrical connection
 NONE : no mechanical position

Materials Chart

1	Case	PM-EG	
2	F Contact	Silver alloy + C3602BD	
3	Common Contact	C3602BD	
4	Terminal	C2680R	
5	Frame	SPCC	Ep-Fe/Zn4/CM
6	Bushing	Zinc alloy	EP-Zn/Cu5,Ni10b
7	Actuator	C3602BD-F	Ep-Cu/Ni3
8	Nut	C3602BD	Ep-Cu/Ni3b
9	L Washer	SK-5	Ep-Fe/Ni3b
10	Shaft	SUS	
11	Rubber seal	NBR	
12	Insert molded rubber	Silcon rubber	

Specifications				
Rating	Initial Contact Resistance	Insulation Resistance	Dielectric Strength	Endurance
AC 125V 20A AC 250V 20A DC 30V 20A	MAX 10 milliohms at DC 2~4V 1A	MIN 1000 M Ohms at DC 500V	AC 1,5kV/1 min (AC 1,8kV/1 sec)	Electrically 20.000 cycles at 20 cycles/min (rated load resistive) Mechanically 40.000 cycles at 20 cycles/min

TE CONNECTIVITY PN	Part
7-6437630-2	AWTN1504
3-6437592-9	AWTP1504
5-6437630-0	AWTR1504
1-6437630-1	AWTS1504
1-6437630-0	AWTT1504

THIS DRAWING IS A CONTROLLED DOCUMENT.

DIMENSIONS: mm

TOLERANCES UNLESS OTHERWISE SPECIFIED:

0 PLC	± -
1 PLC	± -
2 PLC	± -
3 PLC	± -
4 PLC	± -
ANGLES	± -

MATERIAL: - FINISH: -

TOLERANCES UNLESS OTHERWISE SPECIFIED ACCORDING TO ISO 8015 and ISO 2768-f

WEIDEN 06.09.2007

TE Connectivity

POWER TOGGLE SWITCH DOUBLE POLE
 PANEL MOUNTING WATERTIGHT

SIZE: A2 CAGE CODE: 00779 DRAWING NO: C=1968501 RESTRICTED TO: -

CUSTOMER DRAWING SCALE: 1:1 SHEET: 1 of 1 REV: B2

X-ON Electronics

Largest Supplier of Electrical and Electronic Components

Click to view similar products for [Toggle Switches](#) category:

Click to view products by [TE Connectivity](#) manufacturer:

Other Similar products are found below :

[8928K478](#) [8A1-C-222](#) [020017-13](#) [60012L](#) [6006L](#) [CS115W](#) [CS120W](#) [6663](#) [7101SPDV30BE](#) [7103SDV30BE](#) [7105D](#) [7108P3YAV2BE](#)
[71YY50282](#) [7300K36](#) [7301K38](#) [7306K36](#) [7310K36](#) [7506K4](#) [7592K6](#) [7660K12](#) [7691K14](#) [7700K1](#) [8391K108](#) [8396K108](#) [8811K17](#)
[8812K14](#) [8824K14](#) [8828K13](#) [8835K3](#) [8858K44](#) [PS83-121G](#) [1-1825192-0](#) [A201SCWZB04](#) [A207SYCB04](#) [A208J61ZQ0004](#) [A221T1TCQ](#)
[A323S1CWZQ](#) [A423S1CWZG-M8](#) [1201W](#) [12156AX408](#) [12147AGKX679](#) [12246X778](#) [12TW49-3D](#) [130312](#) [13037L](#) [13001X](#)
[AE101MD1W4B04](#) [AE208SD1W4B04](#) [MS24659-22D](#) [MS27407-5](#)