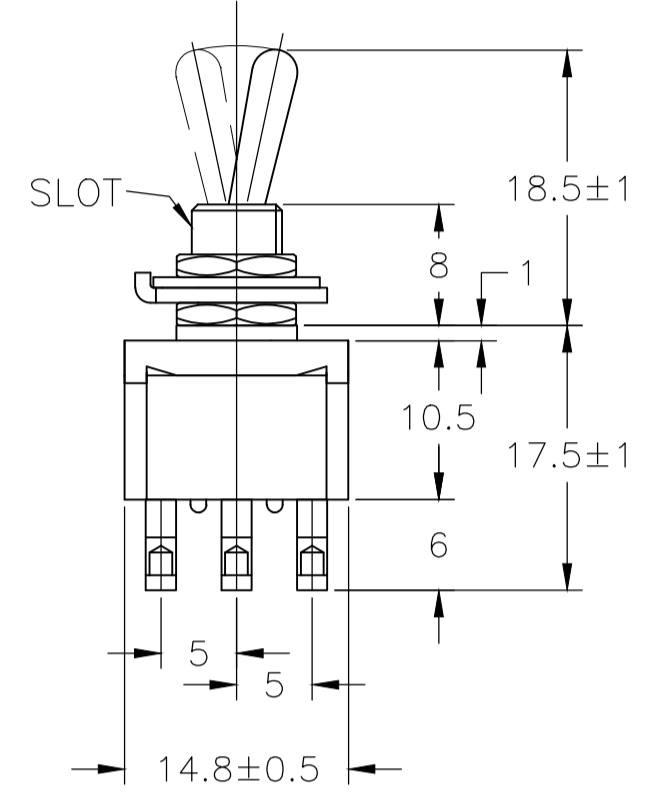
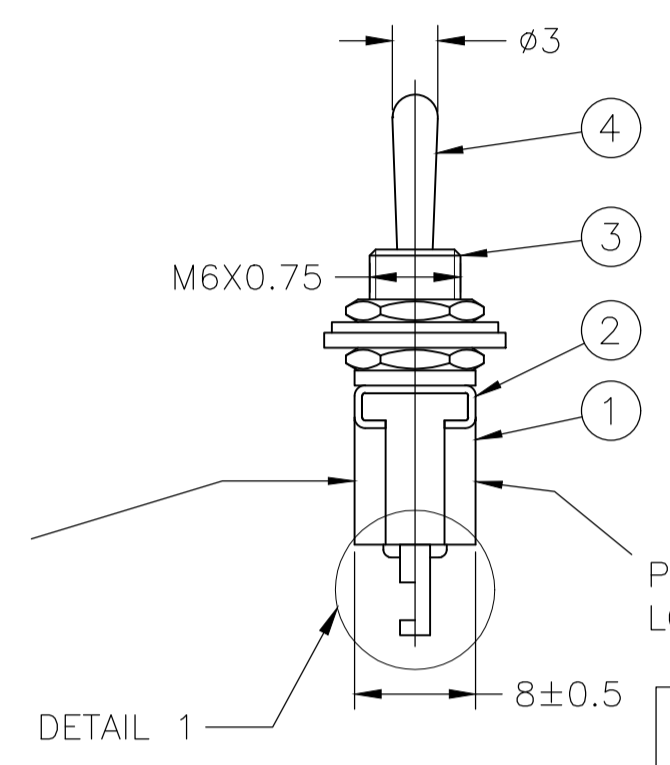
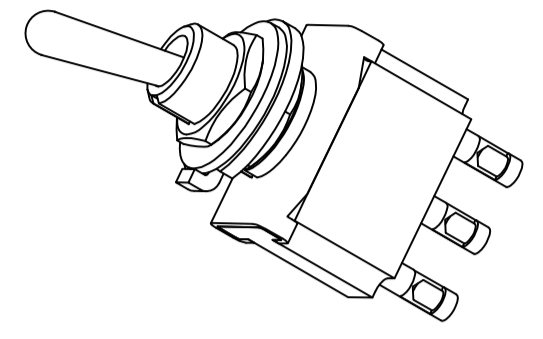
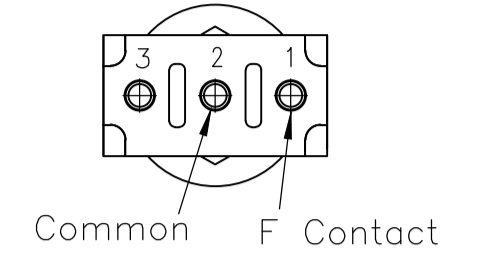
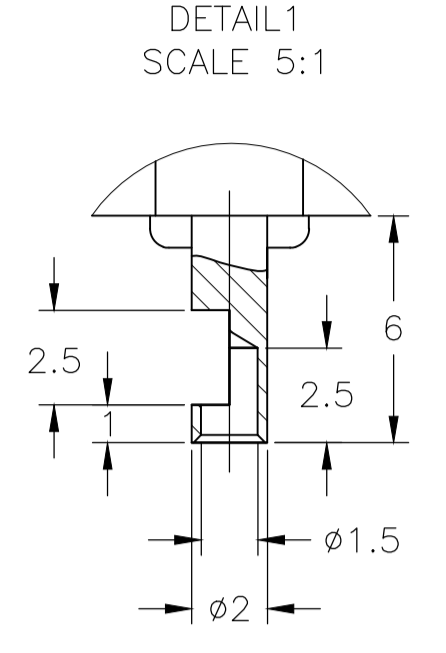


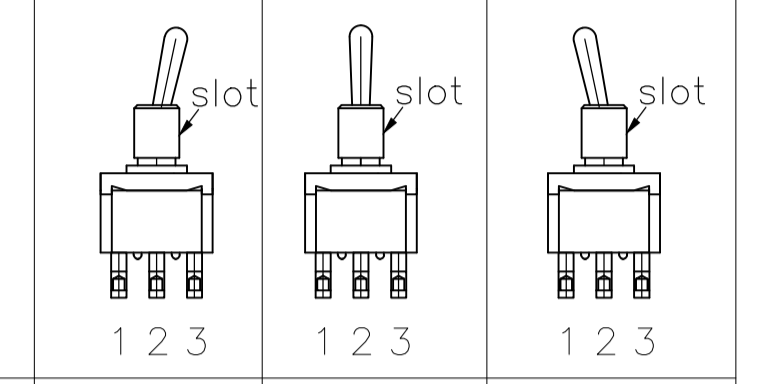
REVISIONS				
P	LTR	DESCRIPTION	DATE	APPD
A2	ECR-16-017266		01JUN2018	SR PO



DATE CODE PRINTING LAST DIGIT OF YEAR
 A-L = JANUARY TO DECEMBER DAY

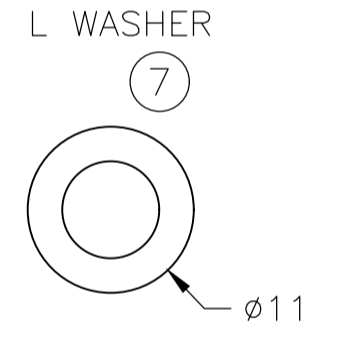
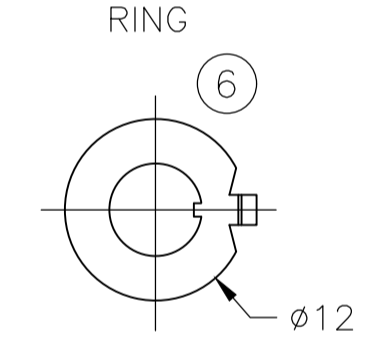
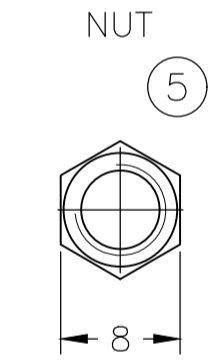
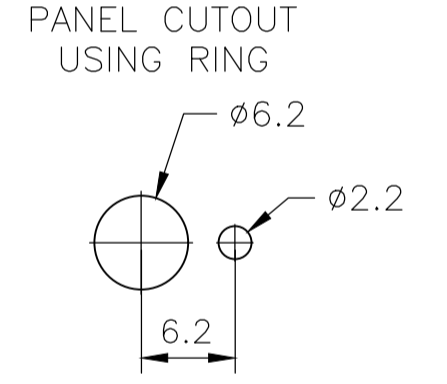
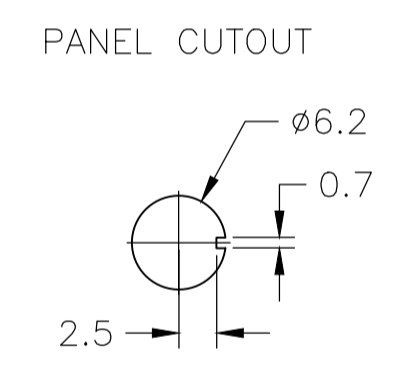
PRINTING OF LOGO AND RATING
 MODEL NO.
 RATING
 SW. FUNCT. Δ

FUNCTION CHART



TE PN	PART	TERMINALS 1 AND 2	TERMINALS 2 AND 3
2-6437630-0	FTD0904	ON	NONE
5-6437630-7	FTF0904	(ON)	NONE
6-6437630-2	FTE0904	ON	OFF
4-6437630-8	FTH0904	(ON)	OFF
5-6437630-5	FTG0904	(ON)	OFF
3-6437630-4	FTD09G04	ON	NONE
6-6437630-3	FTF09G04	(ON)	NONE
5-6437630-1	FTE09G04	ON	OFF
6-6437630-4	FTH09G04	(ON)	OFF
3-6437630-8	FTG09G04	(ON)	OFF

(ON): MOMENTARY ACTION
 OFF: MECHANICAL POSITION WITHOUT ELECTRICAL CONNECTION
 NONE: NO MECHANICAL POSITION



- Δ 0.5VA NO SWITCH FUNCTION WILL BE MARKED BUT WILL BE MARKED GOLD CON.
- 2 OPERATING TEMPERATURE -20°C TO +70°C
- 3 ALL MATERIALS AND FINISHES COMPLY WITH RoHS DIRECTIVE

CONTACT MATERIAL	TE PN	PART	RATING	INITIAL CONTACT RESISTANCE	INSULATION RESISTANCE	DIELECTRIC STRENGTH	ENDURANCE
C3602BD Ep-Cu/Ni3,Au1b	C3602BD Ep-Cu/Ni3,Au1b	3-6437630-4 6-6437630-3 5-6437630-1 3-6437630-8	FTD09G04 FTF09G04 FTE09G04 FTG09G04	20V AC/DC 0.4VA MAX	MAX 10 MILLIOHMS AT DC 2~4V 0.1A	MIN 1000 M Ohms AT DC 500V	AC 1KV/1MIN (AC 1.2KV/1SEC)
		6-6437630-4	FTH09G04				ELECTRICALLY 50,000 CYCLES AT 20 CYCLES/MIN (RATED LOAD RESISTIVE) MECHANICALLY 100,000 CYCLES AT 20 CYCLES/MIN
99.8% Silver + C3602BD Ep-Cu/Ni3,AuFb	C3602BD Ep-Cu/Ni3,AuFb	5-6437630-7	FTF0904	AC 125V 6A AC 250V 6A	MAX 10 MILLIOHMS AT DC 2~4V 1A	MIN 1000 M Ohms AT DC 500V	AC 1KV/1MIN (AC 1.2KV/1SEC)
		2-6437630-0 6-6437630-2 4-6437630-8 5-6437630-5	FTD0904 FTE0904 FTH0904 FTG0904				ELECTRICALLY 50,000 CYCLES AT 20 CYCLES/MIN (RATED LOAD RESISTIVE) MECHANICALLY 100,000 CYCLES AT 20CYCLES/MIN

MATERIALS CHART			
Ep-Fe/Cu2,Ni4b	SK-5	L WASHER	7
Ep-Fe/Cu2,Ni3b	SPCC	RING	6
Ep-Cu/Ni3b	C3602BD	NUT	5
Ep-Cu/Ni3,Cr1b	C3602BD	ACTUATOR	4
Ep-Cu/Ni3b	C3602BD	BUSHING	3
	SUS	FRAME	2
	POLYESTER RESIN	CASE	1
OPTIONAL DESCRIPTION	MATERIAL/SURFACE	PART NAME	PART NO

THIS DRAWING IS A CONTROLLED DOCUMENT. DIN RAGHAVENDRA 02AUG10
 CHK MICHAEL WILBOURN 02AUG10
 APPD MICHAEL WILBOURN 02AUG10

TE Connectivity

NAME: TOGGLE SWITCH F-SERIES SP STANDARD LEVER

SIZE: A1 CASE CODE: 00779 DRAWING NO: 1968510 RESTRICTED TO: -

CUSTOMER DRAWING SCALE: 1:1 SHEET: 1 OF 1 REV: A2

X-ON Electronics

Largest Supplier of Electrical and Electronic Components

Click to view similar products for [Toggle Switches](#) category:

Click to view products by [TE Connectivity](#) manufacturer:

Other Similar products are found below :

[8A1-C-222](#) [60012L](#) [6006L](#) [6663](#) [7101MD9V30GE](#) [7101SPDV30BE](#) [7103SDV30BE](#) [7105D](#) [7108P3YAV2BE](#) [71YY50282](#)
[7201MD9AVBE](#) [7301K38](#) [7306K36](#) [7310K36](#) [7314K36](#) [7506K4](#) [7592K6](#) [7691K14](#) [7700K1](#) [8396K108](#) [8824K14](#) [8828K13](#) [G2VX](#) [G3VX](#)
[PS83-121G](#) [A101MD9AB04](#) [A101SD9AB04](#) [A101SDCQ04](#) [A103SD9AQ04](#) [A107TZB04](#) [A123P32YZQ](#) [A123S1YZG](#) [A127S1YCQ](#) [1-](#)
[1825192-0](#) [A131S1YZQ](#) [A201SCWZB04](#) [A207SYCB04](#) [A208J61ZQ0004](#) [A221K12KAG](#) [A221S1YZQ](#) [A221T1TCQ](#) [A232K12KZQ](#)
[A232M1YCQ](#) [A323S1CWZQ](#) [A423S1CWZG-M8](#) [A423S1YZQ](#) [12149A-3V](#) [12156AX408](#) [12147AGKX679](#) [12149AD2G0383VX408](#)