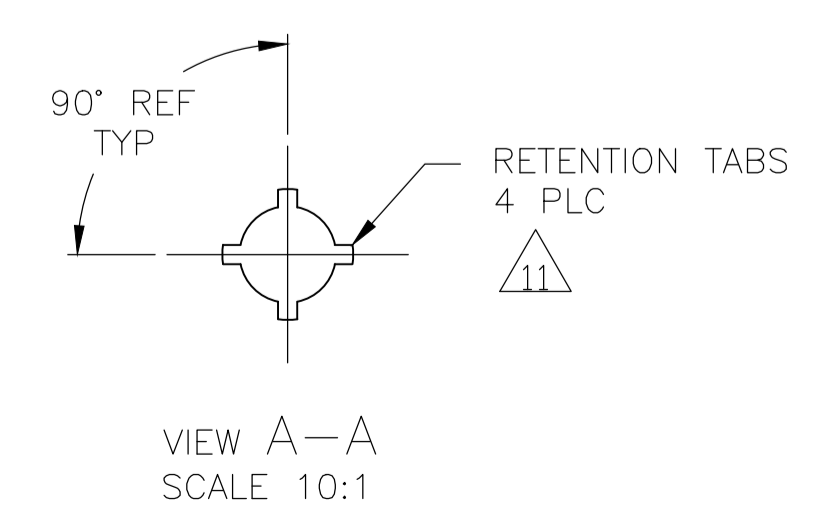
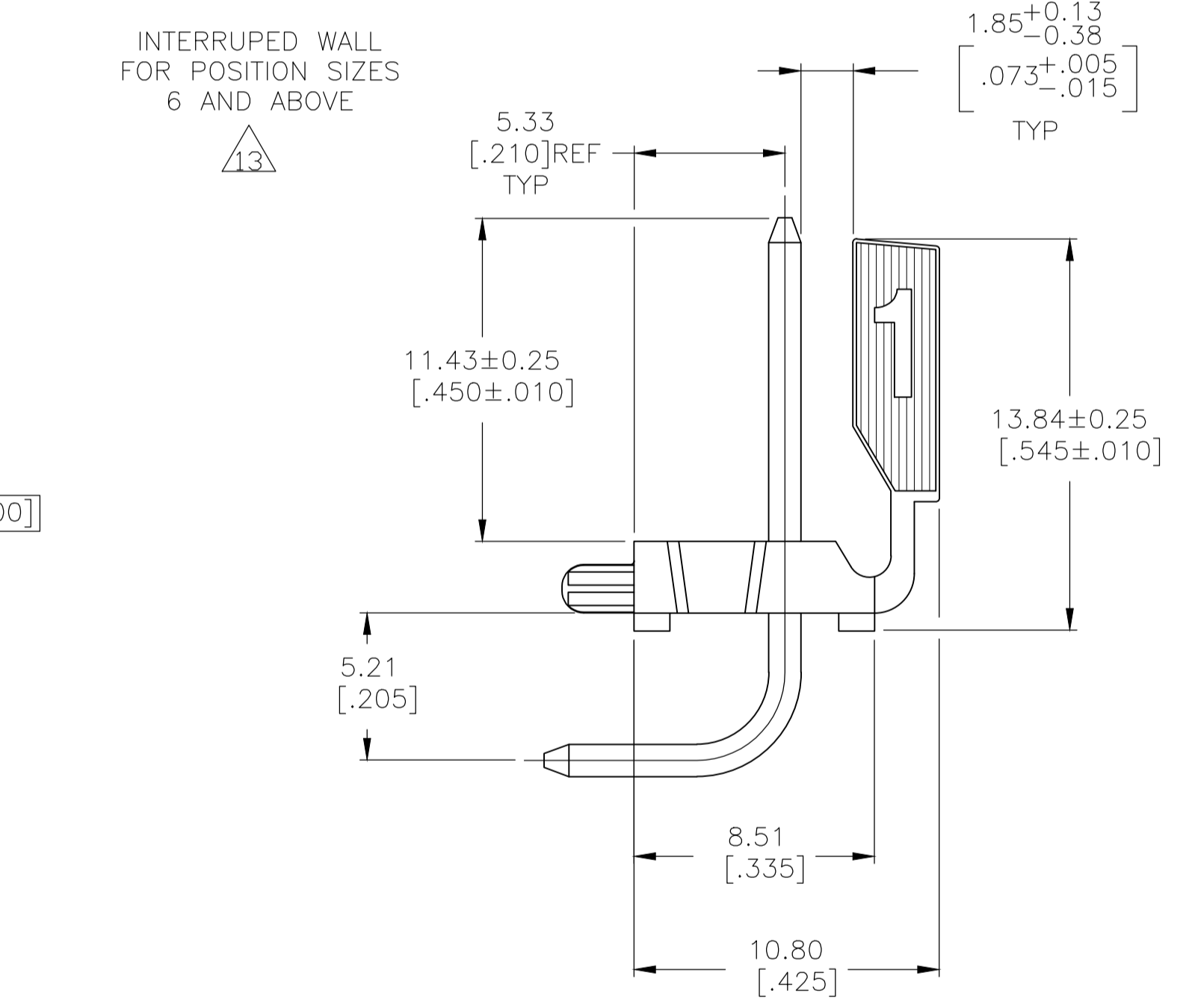
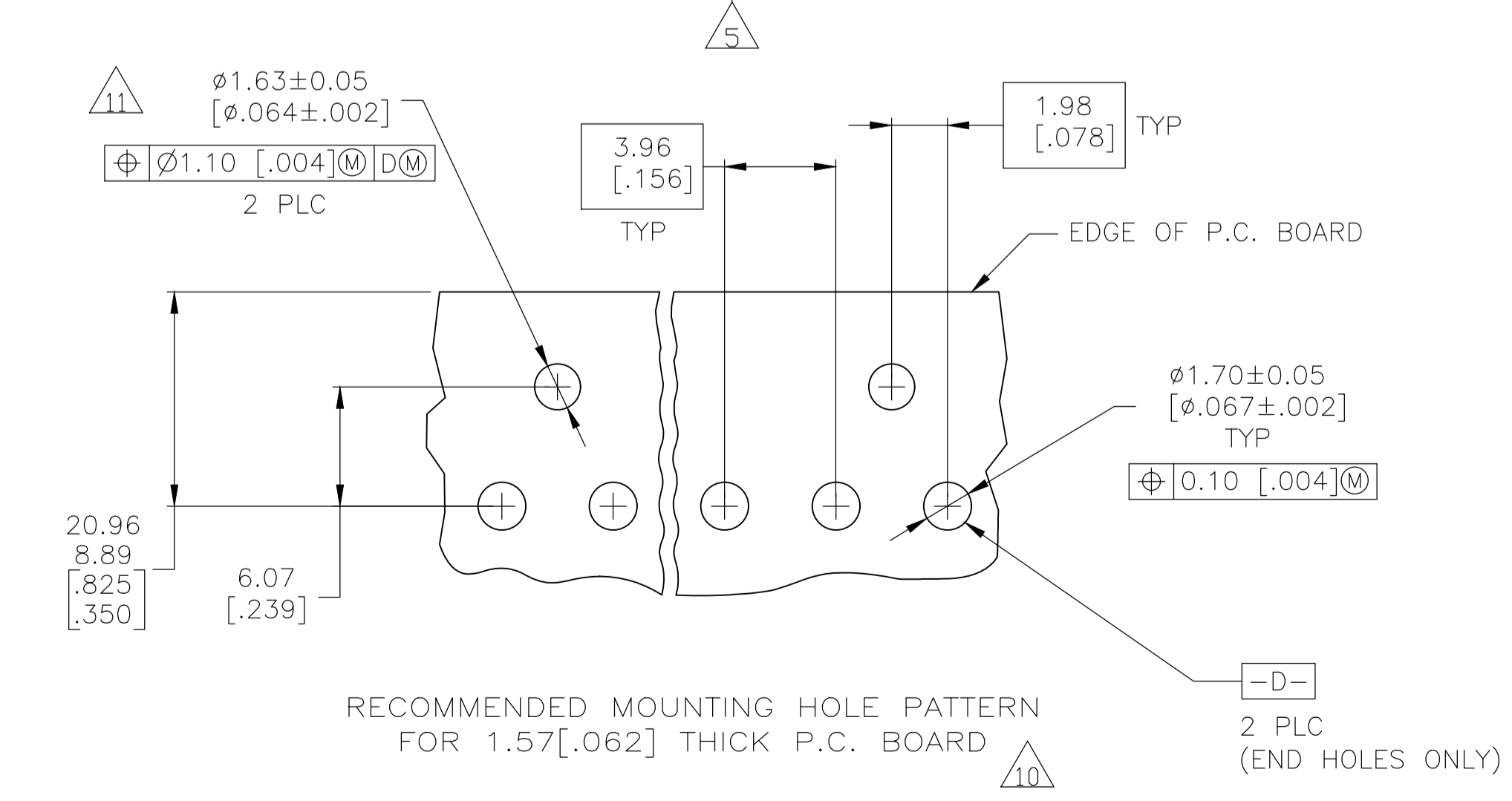
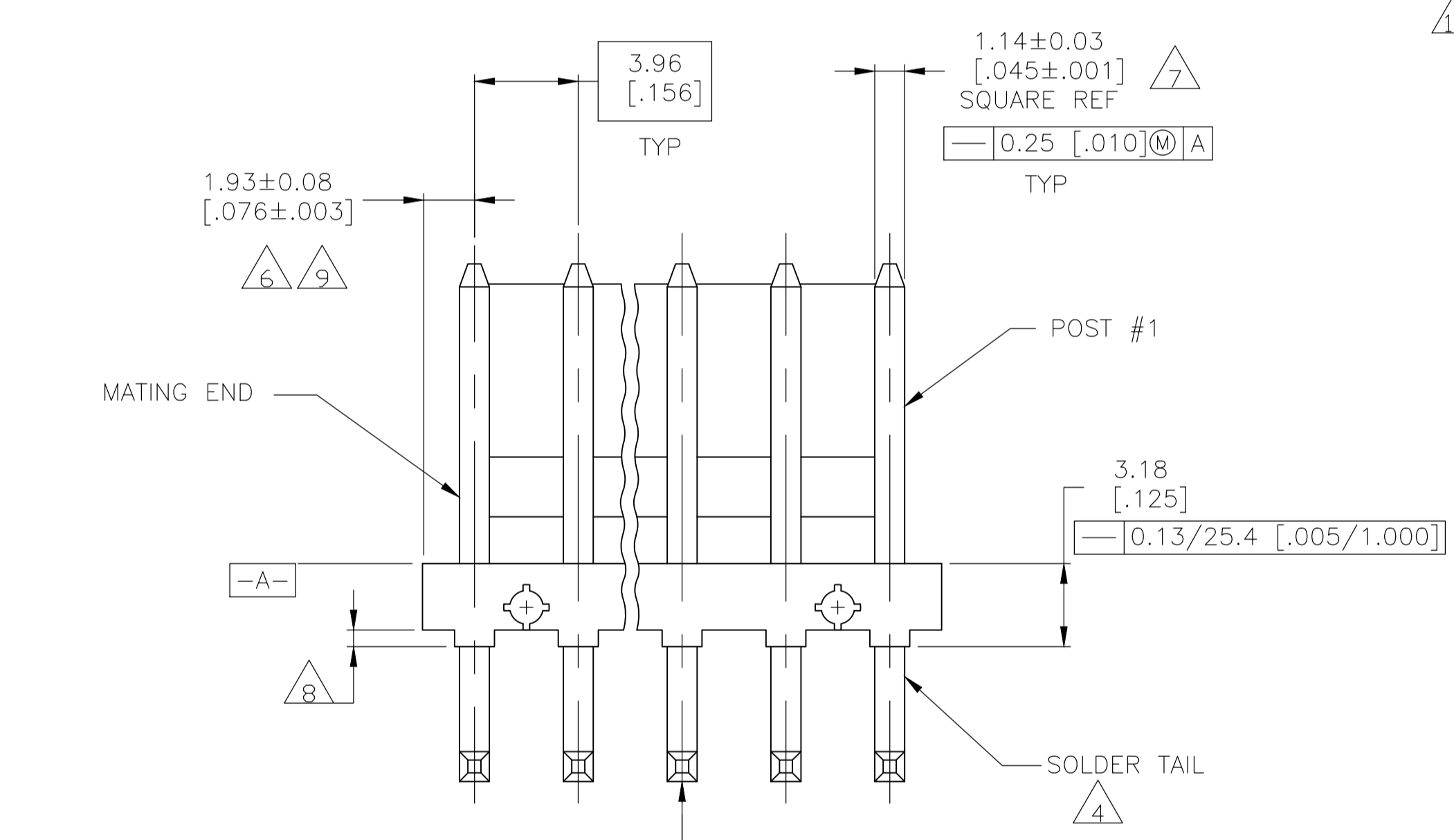
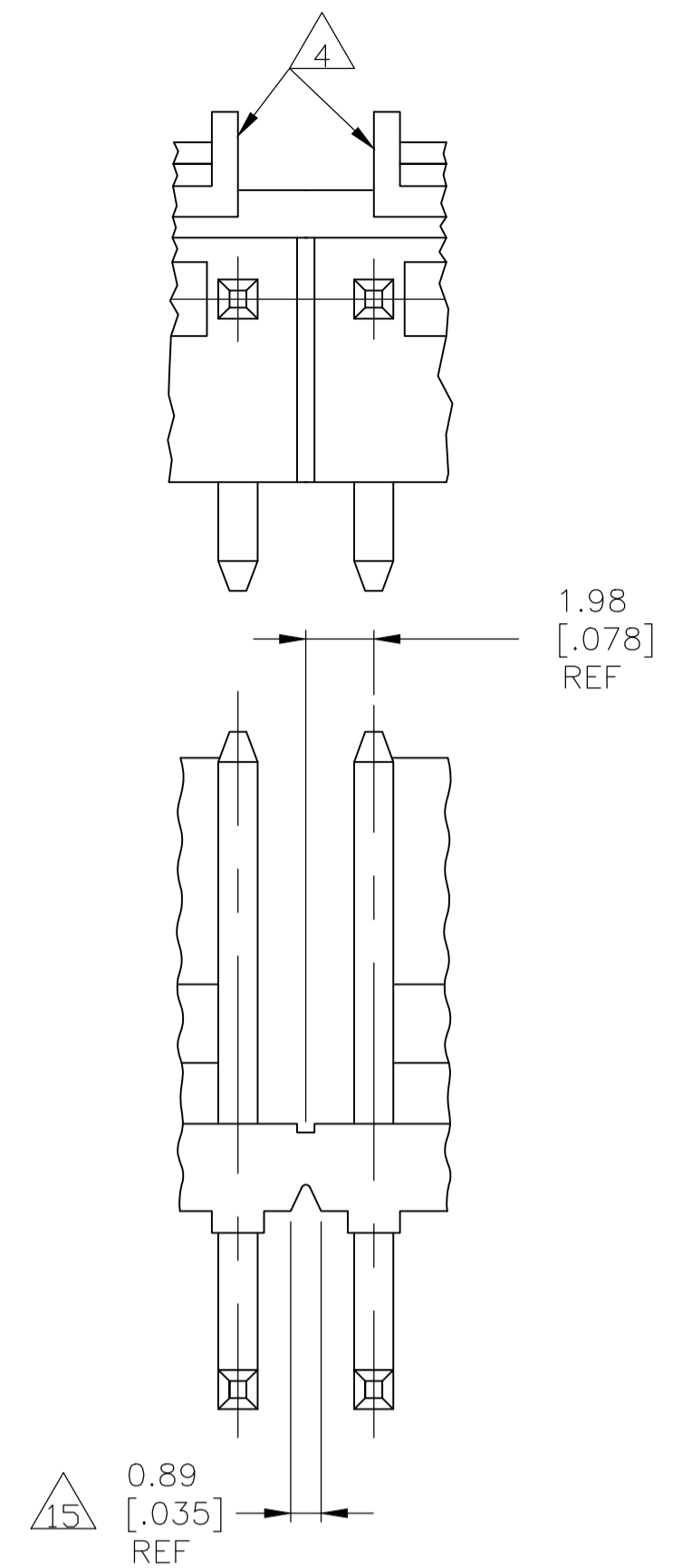
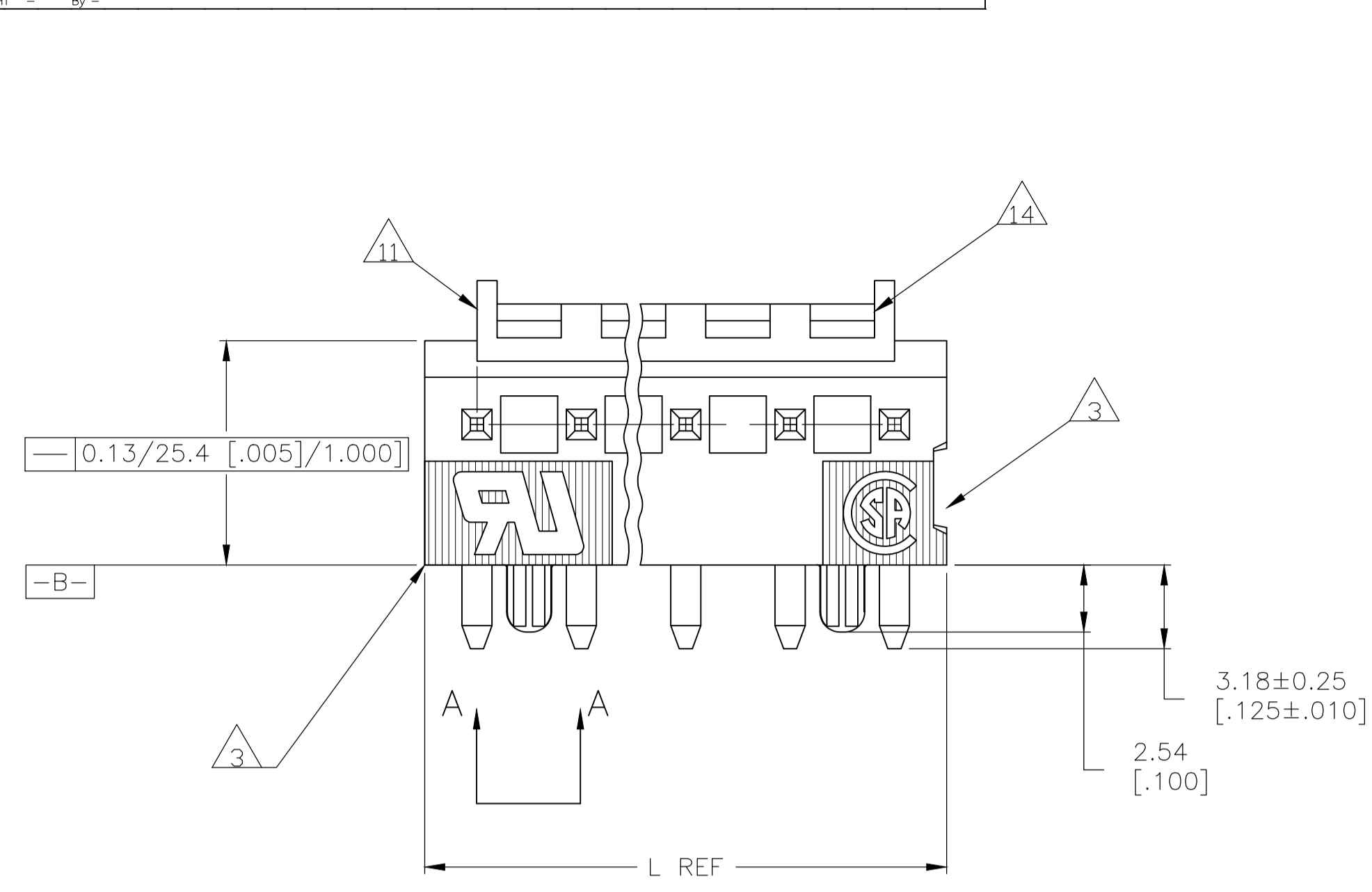


REVISIONS				
REV	DATE	BY	APP'D	DESCRIPTION
K1	23JUL2019	BDA	SW	REVISED PER ECR-19-011103



- 1 MATERIAL
HOUSING: THERMOPLASTIC POLYESTER, GLASS FILLED, UL94V-0.
POST: COPPER ALLOY
- 2 FINISH
HOUSING: NATURAL
POST: BRIGHT TIN-LEAD (93/7) PLATE, 0.00380-0.00880 [.000150-.000350] THK OVER NICKEL UNDERPLATE, 0.00130 [.000050] MIN THK.
- 3 UL MARKING MAY NOT APPEAR ON THE 2 OR 3 POSITION SIZES.
CSA MARKING MAY NOT APPEAR ON THE 2 POSITION SIZE.
- 4 POST SOLDER TAILS COMPLY WITH AMP SOLDERABILITY SPEC 109-11-2.
- 5 POST WITHSTANDS 13.34N [3 LB] MIN AXIAL FORCE IN EITHER DIRECTION WITHOUT DISLODGING.
- 6 APPLIES AT -A-.
- 7 APPLIES WHEN THE HEADER IS STRAIGHT.
- 8 PLASTIC PROJECTIONS PERMITTED IN THIS ZONE.
- 9 COORDINATE DIMENSIONS APPLIES FROM THE CENTER OF THE ACTUAL FEATURE.
- 10 SOLDER SIDE OF BOARD IS SHOWN.
- 11 THE RETENTION TABS PROVIDE A ONE-TIME INTERFERENCE FIT IN THE 1.63 [.064] DIAMETER BOARD HOLE FOR HEADER ASSEMBLY RETENTION DURING SOLDERING. FOUR TABS PER PEG, TWO PEGS PER HEADER ASSEMBLY (ONE PEG ONLY FOR 2 POSITION SIZE).
- 12 DIMENSIONS IN BRACKETS ARE IN INCHES.
- 13 ALL POSITION SIZES HAVE THE BACKWALL NOTCHED ON BOTH ENDS AS SHOWN. THE 2 THRU 5 POSITION SIZES HAVE SOLID BACKWALLS. POSITION SIZES 6 AND ABOVE HAVE AN INTERRUPTED BACKWALL AT VARIOUS LOCATIONS (SEE TABLE FOR INTERRUPTION(S) LOCATIONS).
- 14 EDGE OF POLARIZING LOCK WALL TO BE IN LINE WITH CENTERLINE OF ADJACENT POST WITHIN ±0.13 [.005]
- 15 NOTCH SHOWN MAY OR MAY NOT APPEAR.
- 16 FINISH
HOUSING: NATURAL
POST: MATTE TIN PLATE, .000150" MIN THICK OVER NICKEL.
- 17 OBSOLETE PART NUMBER

POSITION	FINISH	BACKWALL INTERRUPTION(S) BETWEEN POST	L	NO. OF POSITIONS	PART NO.
4&5, 7&8, 11&12, 14&15			71.20 [2.803]	18	4-644617-8
4&5, 7&8, 10&11, 13&14			67.23 [2.647]	17	4-644617-7
4&5, 8&9, 12&13			63.27 [2.491]	16	4-644617-6
4&5, 8&9, 11&12			59.31 [2.335]	15	4-644617-5
4&5, 7&8, 10&11			55.35 [2.179]	14	4-644617-4
4&5, 7&8, 10&11			51.38 [2.023]	13	4-644617-3
4&5, 8&9			47.42 [1.867]	12	4-644617-2
4&5, 7&8			43.46 [1.711]	11	4-644617-1
3&4, 7&8			39.50 [1.555]	10	4-644617-0
3&4, 6&7			35.53 [1.399]	9	3-644617-9
4&5			31.57 [1.243]	8	3-644617-8
4&5			27.61 [1.087]	7	3-644617-7
3&4			23.65 [.931]	6	3-644617-6
NONE			19.69 [.775]	5	3-644617-5
NONE			15.72 [.619]	4	3-644617-4
NONE			11.76 [.463]	3	3-644617-3
NONE			7.80 [.307]	2	3-644617-2
4&5, 7&8, 11&12, 14&15			71.20 [2.803]	18	1-644617-8
4&5, 7&8, 10&11, 13&14			67.23 [2.647]	17	1-644617-7
4&5, 8&9, 12&13			63.27 [2.491]	16	1-644617-6
4&5, 8&9, 11&12			59.31 [2.335]	15	1-644617-5
4&5, 7&8, 10&11			55.35 [2.179]	14	1-644617-4
4&5, 7&8, 10&11			51.38 [2.023]	13	1-644617-3
4&5, 8&9			47.42 [1.867]	12	1-644617-2
4&5, 7&8			43.46 [1.711]	11	1-644617-1
3&4, 7&8			39.50 [1.555]	10	1-644617-0
3&4, 6&7			35.53 [1.399]	9	644617-9
4&5			31.57 [1.243]	8	644617-8
4&5			27.61 [1.087]	7	644617-7
3&4			23.65 [.931]	6	644617-6
NONE			19.69 [.775]	5	644617-5
NONE			15.72 [.619]	4	644617-4
NONE			11.76 [.463]	3	644617-3
NONE			7.80 [.307]	2	644617-2

THIS DRAWING IS A CONTROLLED DOCUMENT.

DIMENSIONS: mm [INCHES]	TOLERANCES UNLESS OTHERWISE SPECIFIED:	0 PLC ± -	1 PLC ± -	2 PLC ± -	3 PLC ± -	4 PLC ± -	ANGLES ± -
-------------------------	--	-----------	-----------	-----------	-----------	-----------	------------

MATERIAL: 1 FINISH: 2, 16

WEIGHT: 0.000000 A1 00779 C=644617

CUSTOMER DRAWING SCALE: 5:1 SHEET 1 OF 1 REV: K1

DATE: 26 OCT 93 BY: B. LEWIS

DATE: 26 OCT 93 BY: R. SWING

DATE: 03 NOV 93 BY: D. CLARK

NAME: MTA-156 HDR ASN, PLRZD LCK, RT ANGLE FRNT BND, .045 SQ PST, SN-PB PLTD, W/ RTTN PGS

TE Connectivity

X-ON Electronics

Largest Supplier of Electrical and Electronic Components

Click to view similar products for [Headers & Wire Housings](#) category:

Click to view products by [TE Connectivity](#) manufacturer:

Other Similar products are found below :

[892-18-020-10-001101](#) [58102-G61-06LF](#) [582553-1](#) [0009485154](#) [009176003701906](#) [0050291907](#) [LY20-4P-DT1-P1E-BR](#) [02.125.8002.8](#)
[609-3404](#) [61062-3](#) [61082-181009](#) [622-3653LF](#) [63453-116](#) [636-1030](#) [636-1427](#) [636-3427](#) [636-4007](#) [641938-9](#) [641991-4](#) [644827-2](#) [65817-](#)
[010LF](#) [65817-015LF](#) [65863-015LF](#) [66207-023LF](#) [67095-007LF](#) [67601157](#) [68645-018](#) [68648-049](#) [70.362.1628.0](#) [70-4210](#) [70-4226B](#) [70-](#)
[4853B](#) [707-5020](#) [707-5028](#) [71.350.2428.0](#) [71918-208LF](#) [71961-016LF](#) [733-134](#) [733-162](#) [754199-000](#) [760-3052](#) [79531-3000](#) [FCN-](#)
[360C032-B](#) [FCN-367T-T012/H](#) [FCN-723D010/2](#) [80.063.4001.1](#) [800-90-010-10-002000](#) [801-43-002-10-013000](#) [801-43-006-10-002000](#)
[801-93-011-10-001000](#)