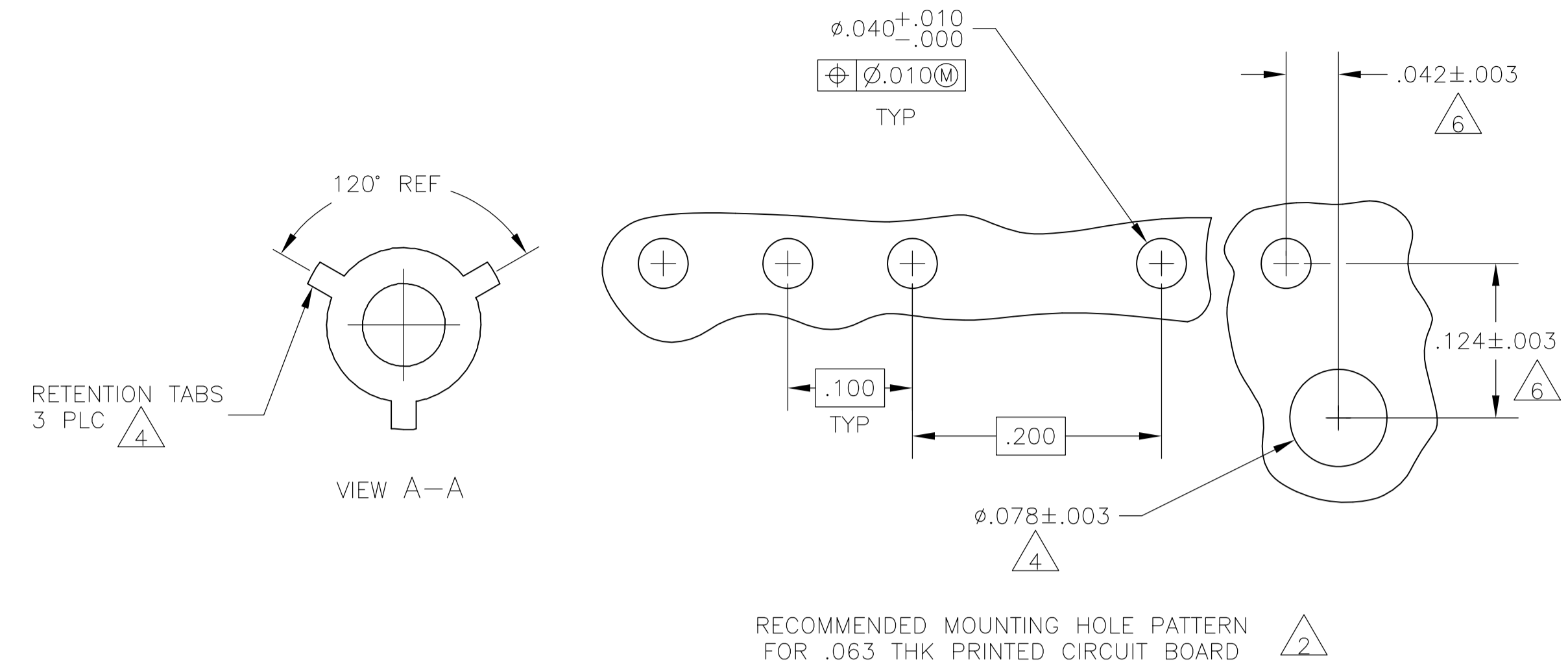
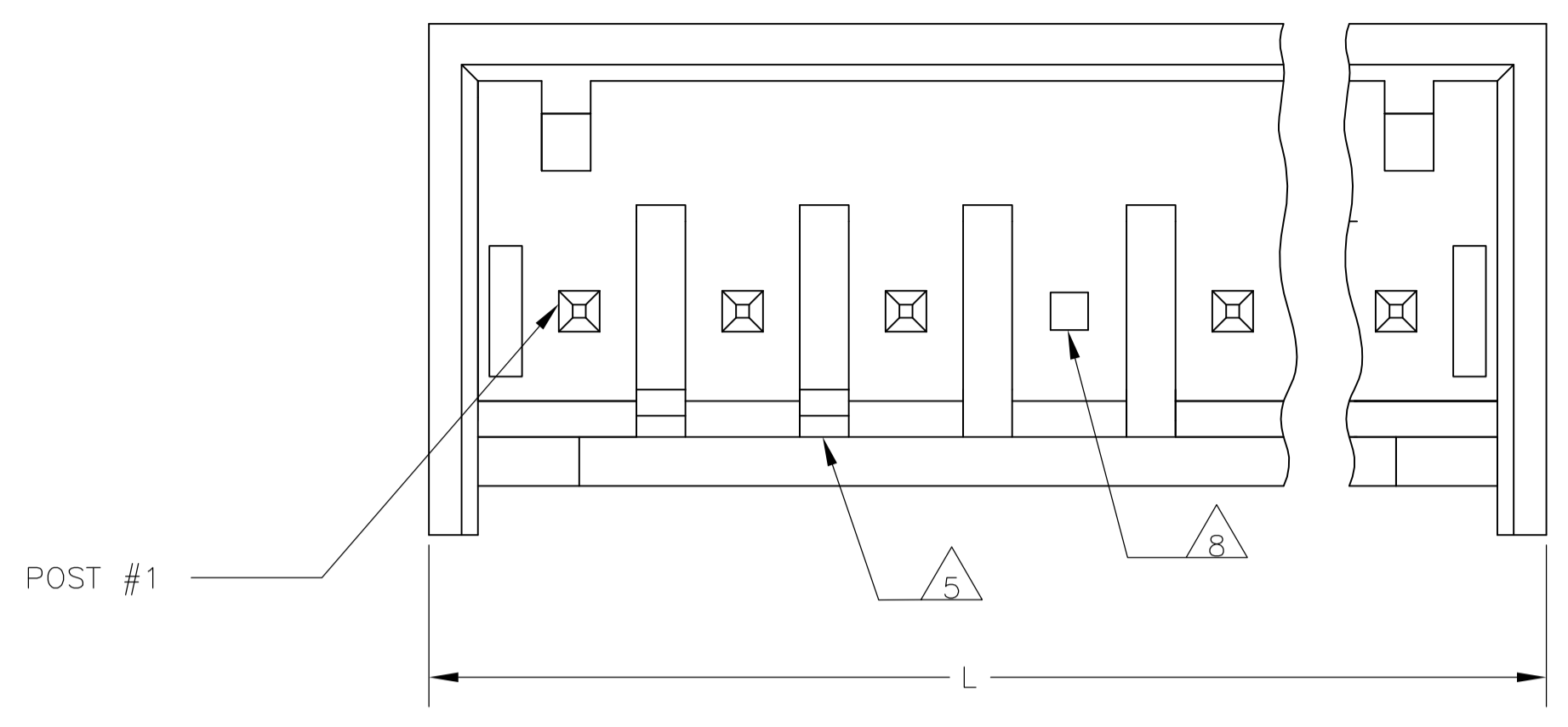
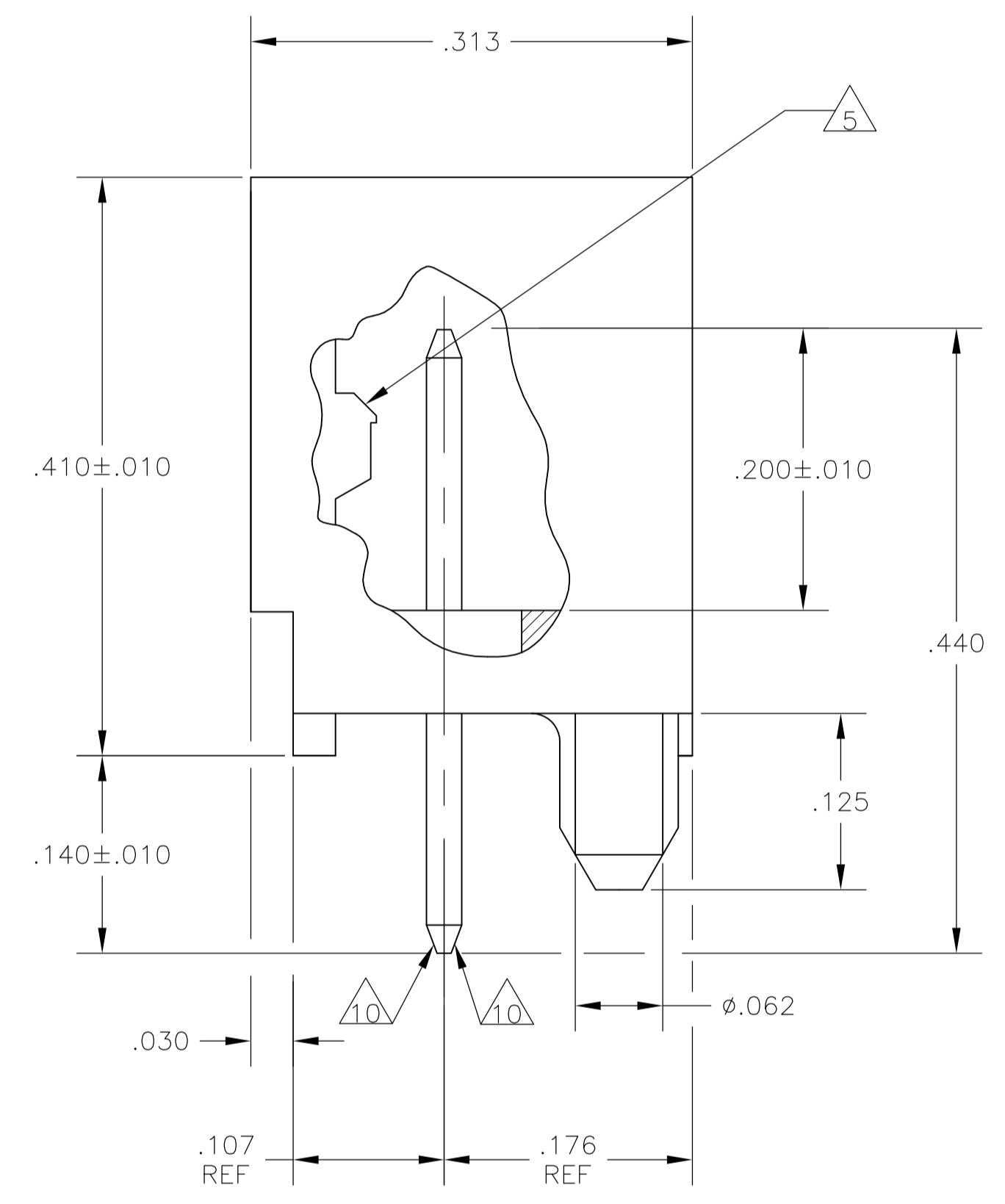
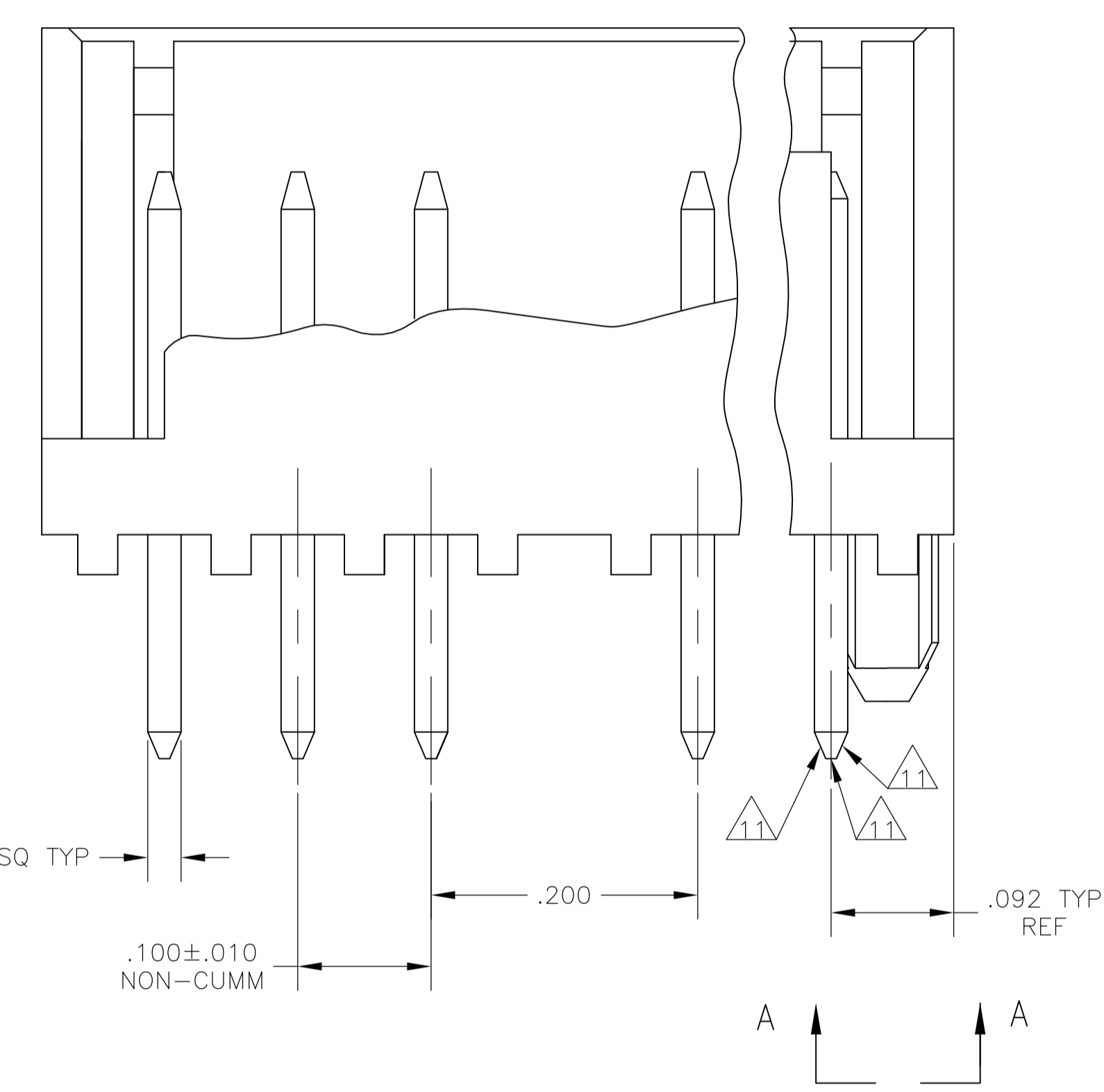


LOC		DIST		REVISIONS			
CM	00	REV	DATE	BY	APPV	DATE	BY
H		REVISED PER ECO-11-006470	30JUN11	HMR	SM		



- 1 MATERIAL:  
HEADER- POLYESTER UL94V-0 (BLACK)  
POST- COPPER ALLOY.
- 2 SOLDER SIDE OF P.C. BOARD SHOWN.
- 3 PARTS COMPLY WITH AMP SOLDERABILITY SPEC 109-11-2.
- 4 THE RETENTION TABS PROVIDE A ONE-TIME INTERFERENCE FIT IN THE .078 DIAMETER BOARD HOLE FOR HEADER ASSEMBLY RETENTION DURING SOLDERING.
- 5 LATCH DETENT FEATURE OCCURS 2 PLACES ON EACH END (MAXIMUM OF FOUR PER PART). FOR 2 THRU 5 CIRCUIT HEADERS, LATCH FEATURE OCCURS BETWEEN EACH CIRCUIT.
- 6 COORDINATE DIMENSION APPLIES FROM CENTER OF ACTUAL FEATURE.
- 7 POST: MATTE TIN OR TIN-LEAD (93/7) PLATED. SEE TABLE TO DETERMINE PLATING TYPE.
- 8 POST NUMBER 4 OMITTED.
- 9 UL AND CSA LOGO WILL APPEAR IN THIS AREA. AMP LOGO MAY APPEAR IN THIS AREA OR ON BOTTOM OF PART.
- 10 TWO SIDES OF TAPER, AS SHOWN, MUST BE PLATED. TYPICAL, BOTH ENDS.
- 11 TWO SIDES OF TAPER, AS SHOWN, AND TIP MAY BE UNPLATED. TYPICAL, BOTH ENDS.

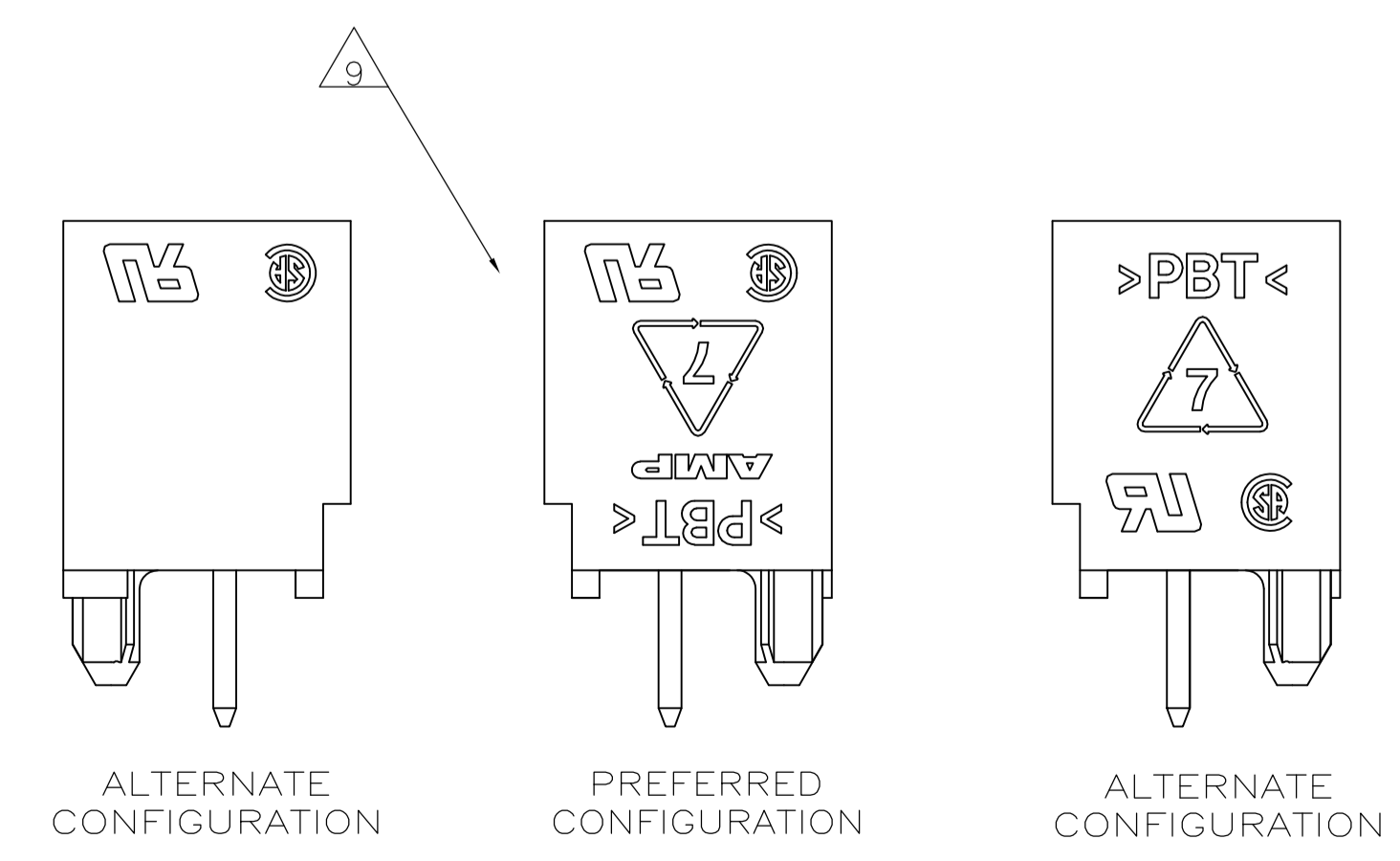


644730-6 SHOWN

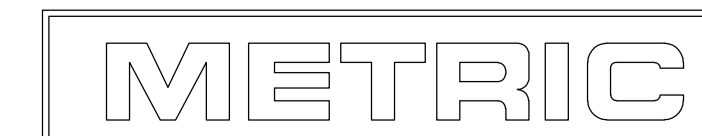
FINISH	IN	MM	NO OF POSITIONS	PART NUMBER
	L		HEADER ASSEMBLY	
TIN	.684	17.37	6	3-644730-6
	.484	12.04	6	3-644730-4
TIN-LEAD	.684	17.37	6	644730-6
	.484	12.04	6	644730-4

INCH	MM	INCH	MM	INCH	MM
.313	7.95	.062	1.57		
.200	5.08	.042	1.07		
.176	4.47	.040	1.02		
.140	3.56	.030	0.76		
.125	3.18	.025	0.64		
.124	3.15	.010	0.25		
.107	2.72	.005	0.13		
.100	2.54	.003	0.08		
.092	2.34	.001	0.03		
.440	11.18	.078	1.98	.000350	0.009
.410	10.41	.063	1.60	.000150	0.004

CONVERSION TABLE



POSSIBLE MARKING CONFIGURATIONS SCALE 5:1



THIS DRAWING IS A CONTROLLED DOCUMENT.

DIMENSIONS: INCHES	TOLERANCES UNLESS OTHERWISE SPECIFIED:	DIN K. WHITAKER 31AUG2004	STE TE Connectivity
0 PLC ± -	1 PLC ± -	CHK D. BOSSI 31AUG2004	NAME
2 PLC ± -	3 PLC ± .005	APPV D. BOSSI 31AUG2004	MTA-100 SHROUDED HEADER ASSEMBLY, FRICTION LOCK, STRAIGHT POST, TIN OR TIN LEAD PLATED, POST NO. 4 OMITTED
4 PLC ± -	ANGLES ± -	APPLICATION SPEC	SIZE CAGE CODE DRAWING NO RESTRICTED TO
MATERIAL	FINISH	WEIGHT	A1 00779 644730
CUSTOMER DRAWING		SCALE 10:1	SHEET 1 OF 1 REV H

## X-ON Electronics

Largest Supplier of Electrical and Electronic Components

*Click to view similar products for [Headers & Wire Housings](#) category:*

*Click to view products by [TE Connectivity](#) manufacturer:*

Other Similar products are found below :

[95000-104TRLF](#) [10135584-644402LF](#) [DF62W-EP2022PCA](#) [95000-106TRLF](#) [DF62W-2022SCA](#) [DF62W-EP2022PC](#) [2203348](#) [DF62W-2022SC](#) [1084018](#) [1029039](#) [1084017](#) [802-10-012-10-002000](#) [1112640](#) [1112639](#) [891-007-9SS-BST1T](#) [000-34000](#) [0008550134](#) [0009482033](#) [0009507031](#) [57102-F02-18ULF](#) [57102-S06-03LF](#) [57202-S52-04LF](#) [PCN6-15S-2.5E](#) [0039019024](#) [58102-G61-06LF](#) [582553-1](#) [0009485154](#) [0009508121](#) [0022285053](#) [0050291907](#) [018731A](#) [LY20-4P-DT1-P1E-BR](#) [02.125.8002.8](#) [60101931](#) [60598-1 \(Cut Strip\)](#) [M1625-3R/100](#) [61062-3](#) [61082-181009](#) [CSU011177004](#) [636-1427](#) [638009-1](#) [641938-9](#) [641991-4](#) [644168-1](#) [644827-2](#) [647662-1](#) [65039-019ELF](#) [65692-001LF](#) [65781-018](#) [65781-047](#)