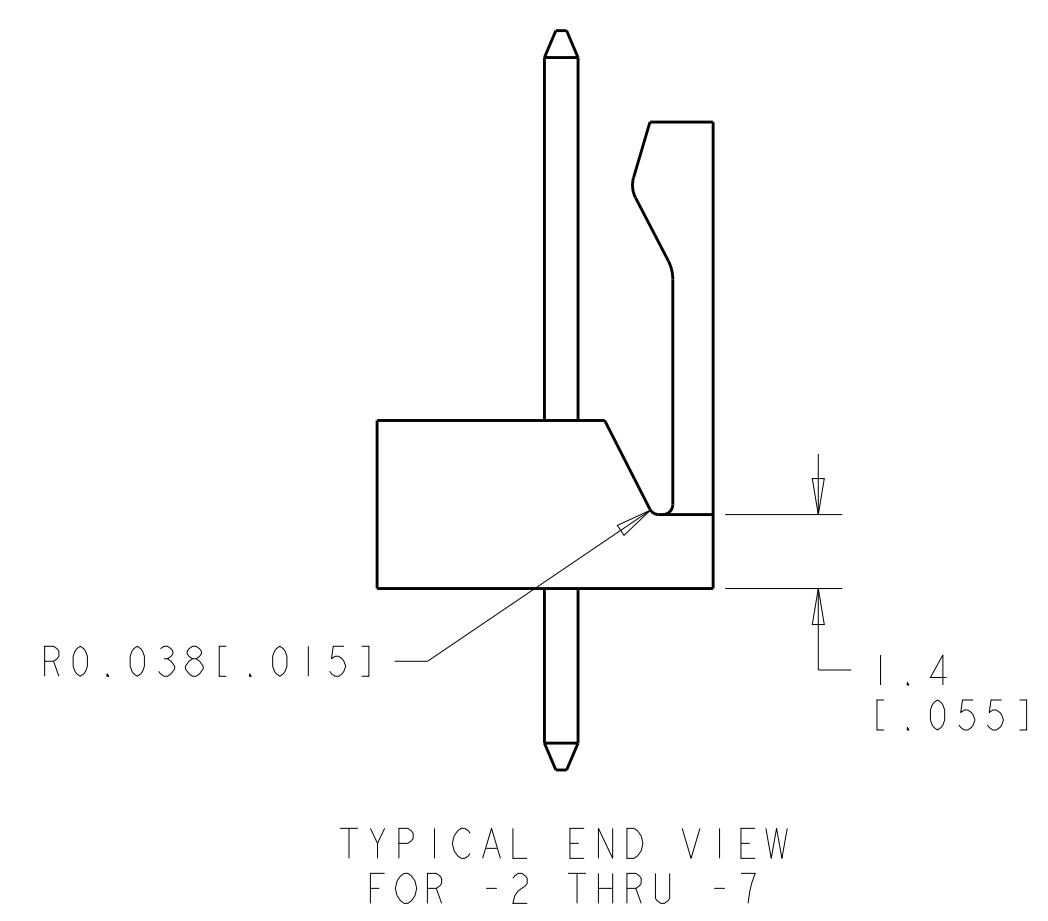
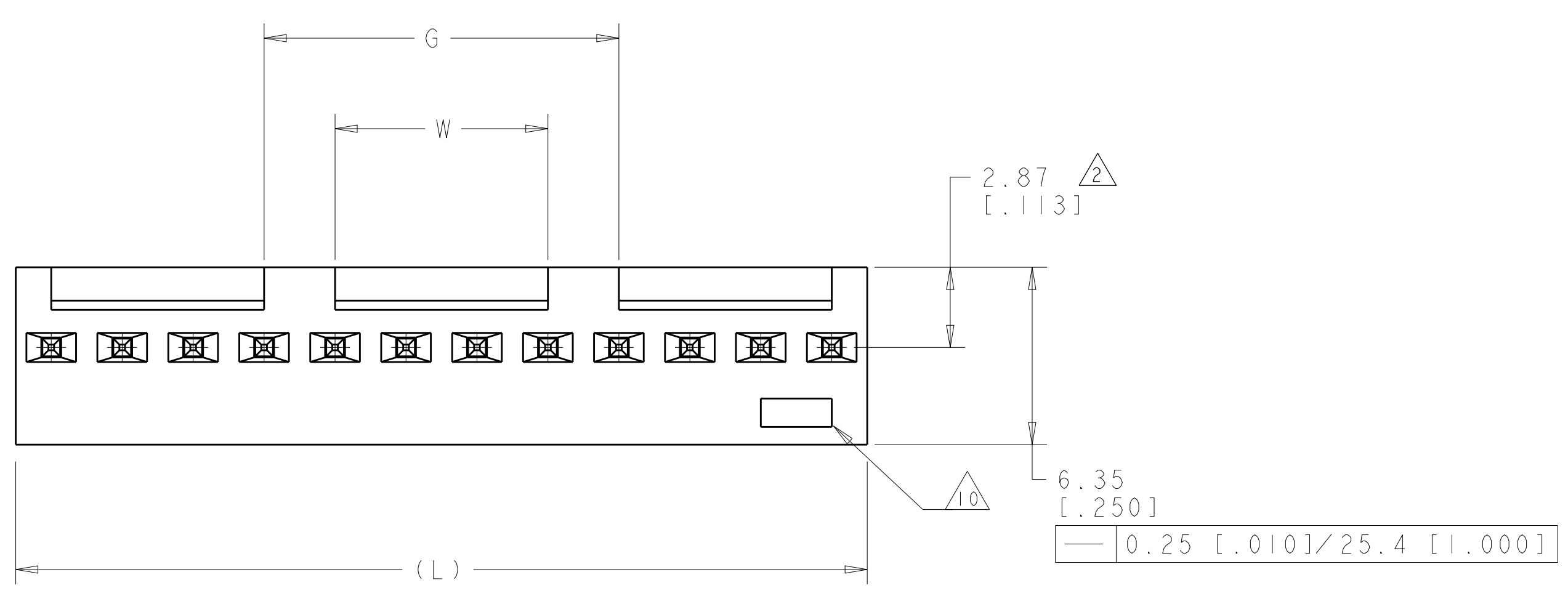
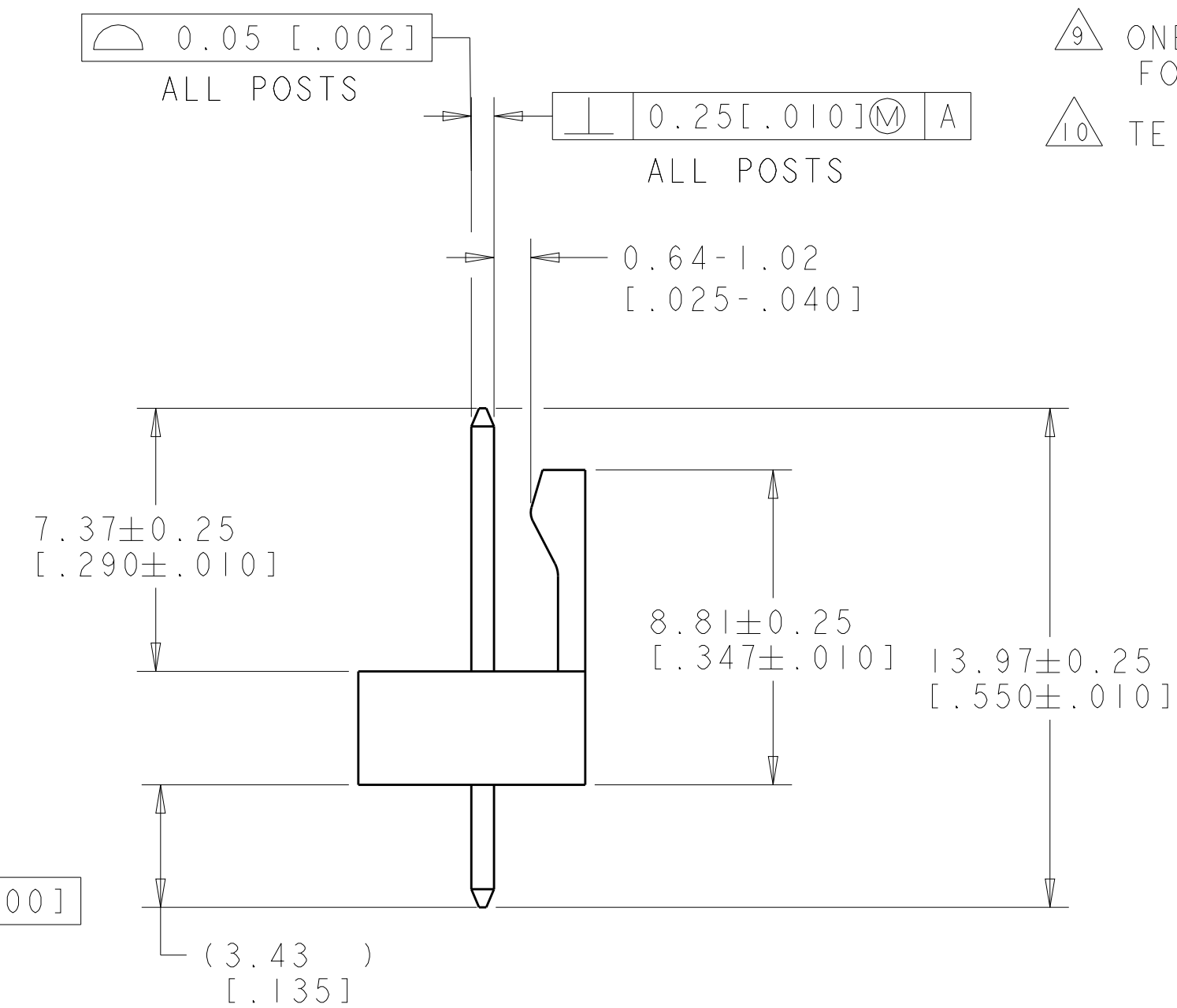
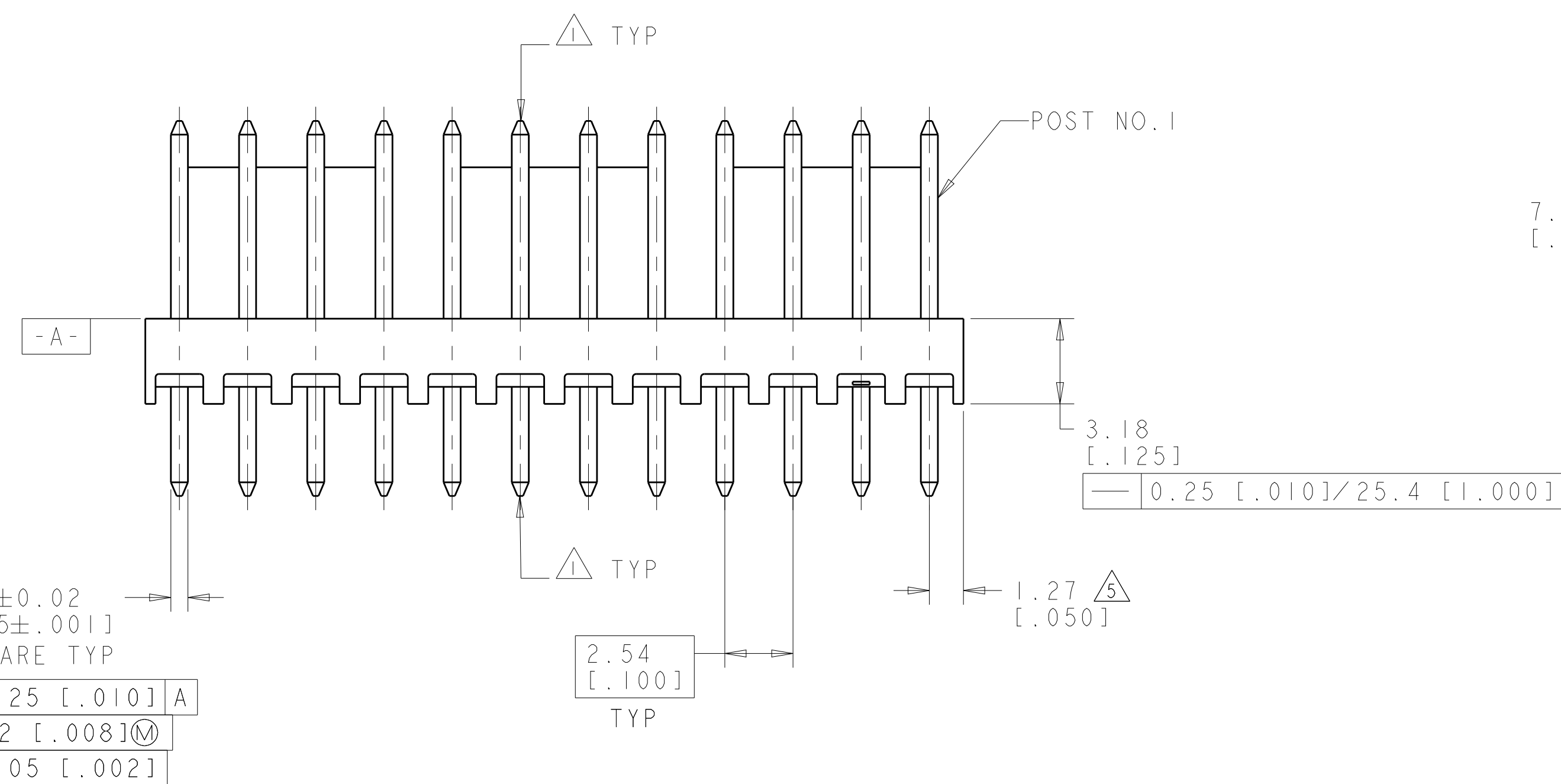


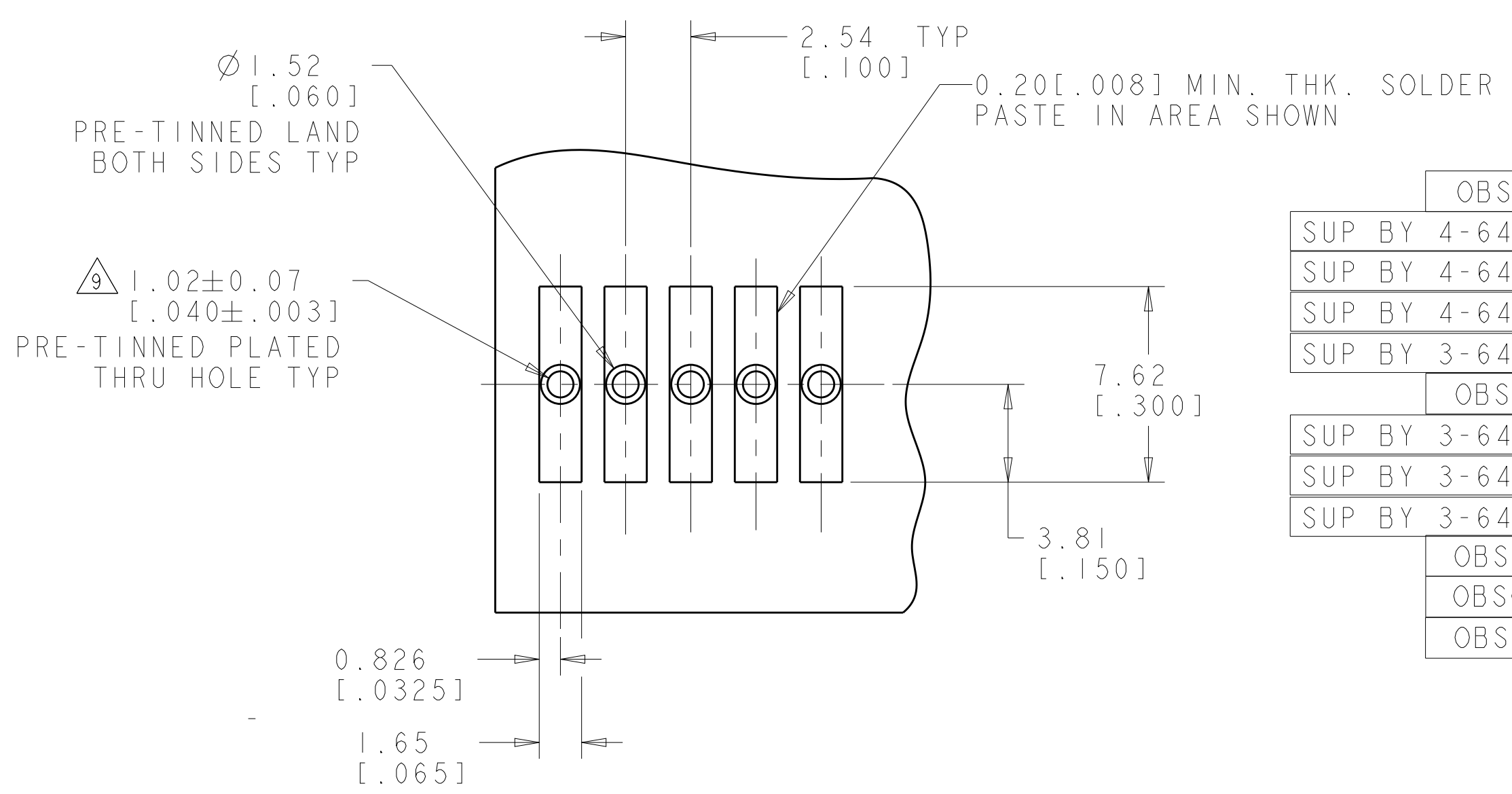
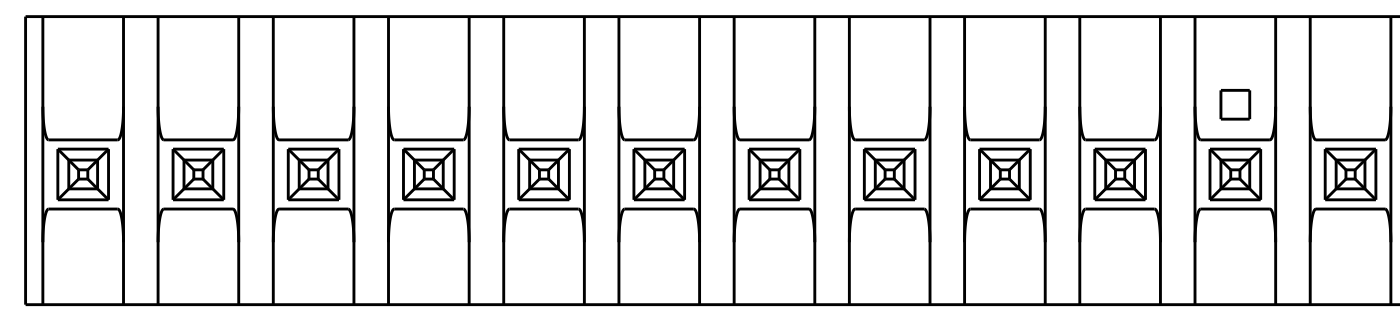
LOC	DIST	REVISIONS			
		REV	DATE	BY	APPV
CM	00	T1	REVISED PER ECR-15-007038	29SEP2015	NK PQ



- 1. POST WITHSTAND 13 NEWTONS (3 LBS) MIN AXIAL FORCE IN DIRECTION SHOWN WITHOUT DISLODGING.
- 2. MEASURED AT -A-.
- 3. PARTS COMPLY WITH SOLDERABILITY SPEC 109-11-2/12.
- 4. MATERIAL: HOUSING: NYLON, 4/6, HIGH TEMP, BLACK.
POST -2 THRU -12 COPPER ALLOY BRIGHT TIN-LEAD 0.00305 [0.000120] MIN THICK.
POST -32 THRU -42 COPPER ALLOY MATTE TIN 0.00305 [0.000120] MIN THICK.
- 5. COORDINATE DIMENSION APPLIES FROM CENTER OF ACTUAL FEATURE.
- 6. POSTS TO BE MEASURED WHEN STRIP HELD FLAT.
- 7. DIMENSIONS IN BRACKETS ARE IN INCHES.
- 8. TOLERANCES APPLY TO SOLDER SIDE OF BOARD.
- 9. ONE HOLE MAY BE UNDERSIZED 0.81-0.89 [0.032-.035] DIAMETER FOR ASSEMBLY RETENTION DURING PROCESSING.
- 10. TE LOGO, UL, AND CSA TRADEMARKS TO APPEAR ON THIS SURFACE.



0.64±0.02 [0.025±0.001] SQUARE TYP
0.25 [0.010] A
0.2 [0.008] M
0.05 [0.002]



RECOMMENDED MOUNTING HOLE PATTERN FOR 1.57±0.20 [0.062±0.008] THICK P.C. BOARD

7.62 [0.300]	12.70 [0.500]	30.48 [1.200]	12	4-647050-2	
-	10.16 [0.400]	27.94 [1.100]	11	4-647050-1	
-	7.62 [0.300]	25.40 [1.000]	10	4-647050-0	
-	5.08 [0.200]	22.86 [0.900]	9	3-647050-9	
-	2.54 [0.100]	20.32 [0.800]	8	3-647050-8	
-	-	17.78 [0.700]	7	3-647050-7	
-	-	15.24 [0.600]	6	3-647050-6	
-	-	12.70 [0.500]	5	3-647050-5	
-	-	10.16 [0.400]	4	3-647050-4	
-	-	7.62 [0.300]	3	3-647050-3	
-	-	5.08 [0.200]	2	3-647050-2	
OBSOLETE	12.70 [0.500]	17.78 [0.700]	35.56 [1.400]	14	1-647050-4
SUP BY 4-647050-2	7.62 [0.300]	12.70 [0.500]	30.48 [1.200]	12	1-647050-2
SUP BY 4-647050-1	-	10.16 [0.400]	27.94 [1.100]	11	1-647050-1
SUP BY 4-647050-0	-	7.62 [0.300]	25.40 [1.000]	10	1-647050-0
SUP BY 3-647050-9	-	5.08 [0.200]	22.86 [0.900]	9	647050-9
OBSOLETE	-	2.54 [0.100]	20.32 [0.800]	8	647050-8
SUP BY 3-647050-7	-	-	17.78 [0.700]	7	647050-7
SUP BY 3-647050-6	-	-	15.24 [0.600]	6	647050-6
SUP BY 3-647050-5	-	-	12.70 [0.500]	5	647050-5
OBSOLETE	-	-	10.16 [0.400]	4	647050-4
OBSOLETE	-	-	7.62 [0.300]	3	647050-3
OBSOLETE	-	-	5.08 [0.200]	2	647050-2

THIS DRAWING IS A CONTROLLED DOCUMENT.		OWN: J. WHITAKER 01NOV2001	TE Connectivity	
DIMENSIONS: mm [INCHES]		CHK: D. BOSSI 01NOV2001	NAME: MTA-100 HEADER ASSY, HIGH TEMPERATURE FRICTION LOCK, .025 SQUARE, STRAIGHT POST, TIN OR TIN LEAD	
TOLERANCES UNLESS OTHERWISE SPECIFIED:		APVD: D. BOSSI 01NOV2001	PRODUCT SPEC	
0 PLC ±		APPLICATION SPEC		
1 PLC ±0.131 [0.005]		SIZE: CAGE CODE DRAWING NO. RESTRICTED TO		
2 PLC ±		WEIGHT: A100779C=647050		
3 PLC ±		SCALE: NA SHEET 1 OF 1 REV: T1		
4 PLC ±		CUSTOMER DRAWING		
ANGLES: 40°/30°				
FINISH: 4				

X-ON Electronics

Largest Supplier of Electrical and Electronic Components

Click to view similar products for [Headers & Wire Housings](#) category:

Click to view products by [TE Connectivity](#) manufacturer:

Other Similar products are found below :

[95000-104TRLF](#) [10135584-644402LF](#) [DF62W-EP2022PCA](#) [95000-106TRLF](#) [DF62W-2022SCA](#) [DF62W-EP2022PC](#) [2203348](#) [DF62W-2022SC](#) [1084018](#) [1029039](#) [1084017](#) [802-10-012-10-002000](#) [1112640](#) [1112639](#) [000-34000](#) [0009482033](#) [0009507031](#) [57102-S06-03LF](#) [57202-S52-04LF](#) [PCN6-15S-2.5E](#) [0039019024](#) [58102-G61-06LF](#) [582553-1](#) [0009485154](#) [0009508121](#) [0022285053](#) [0050291907](#) [018731A](#) [LY20-4P-DT1-P1E-BR](#) [02.125.8002.8](#) [60101931](#) [60598-1 \(Cut Strip\)](#) [M1625-3R/100](#) [61062-3](#) [61082-181009](#) [636-1427](#) [638009-1](#) [641938-9](#) [641991-4](#) [644168-1](#) [647662-1](#) [65039-019ELF](#) [65781-047](#) [65817-002LF](#) [65817-015LF](#) [65863-015LF](#) [66207-023LF](#) [67016-026LF](#) [67046-001LF](#) [67095-007LF](#)