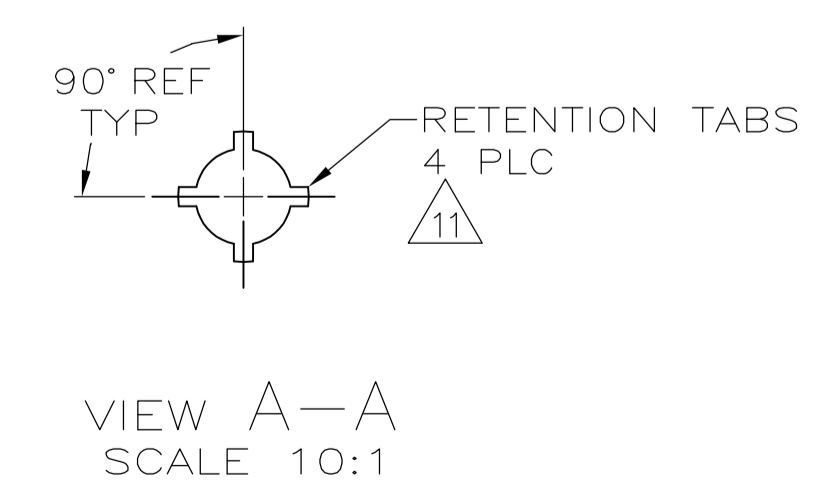
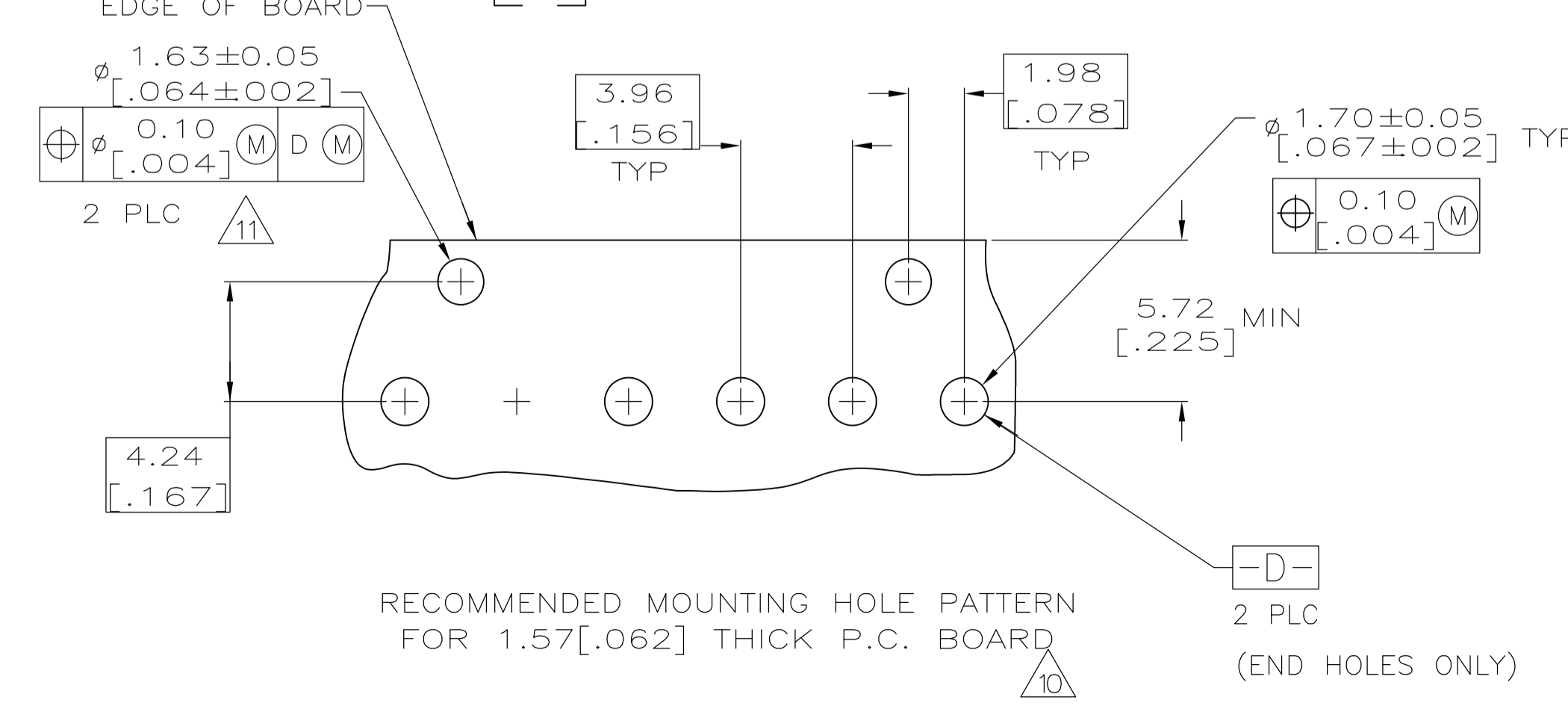
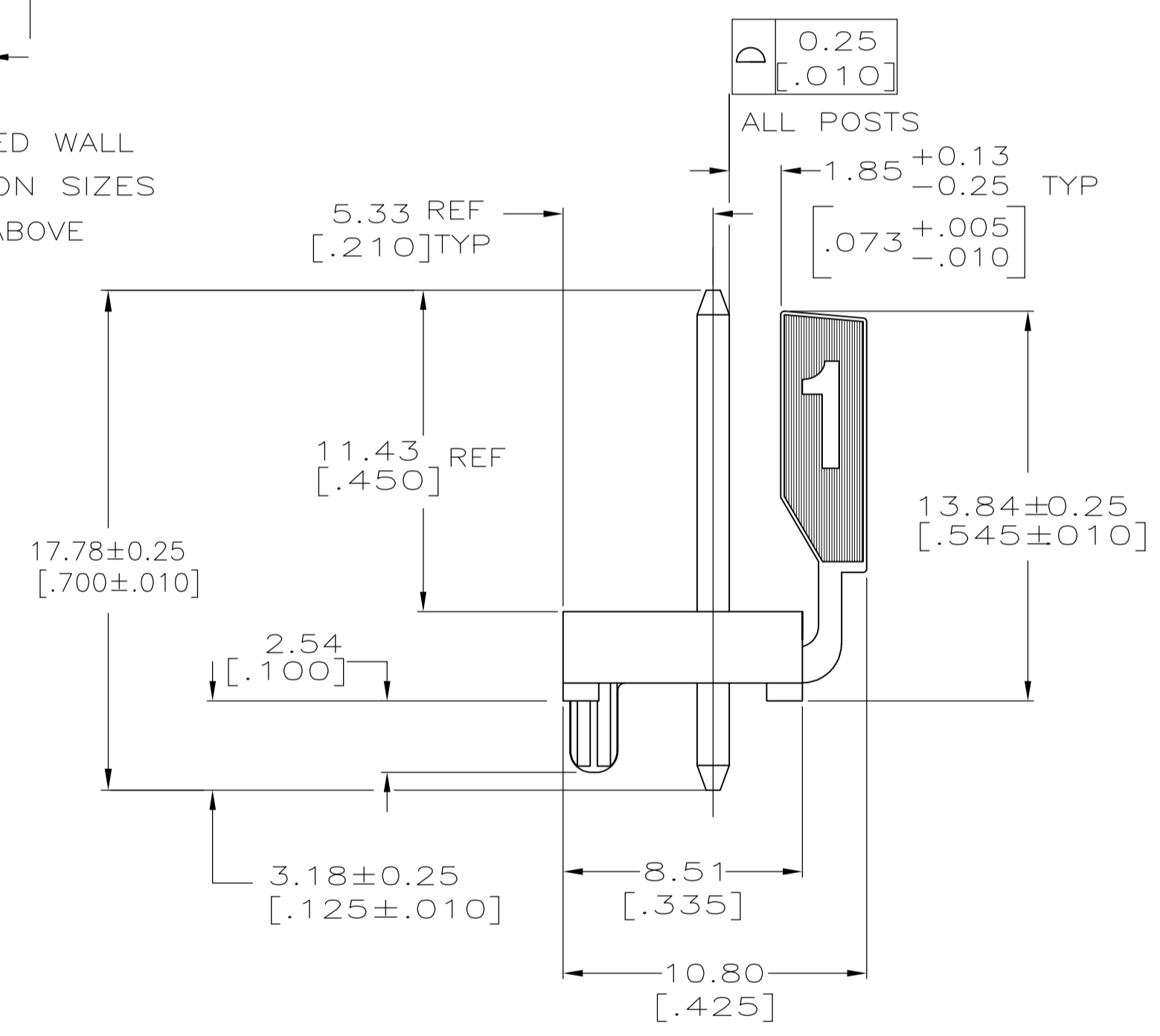
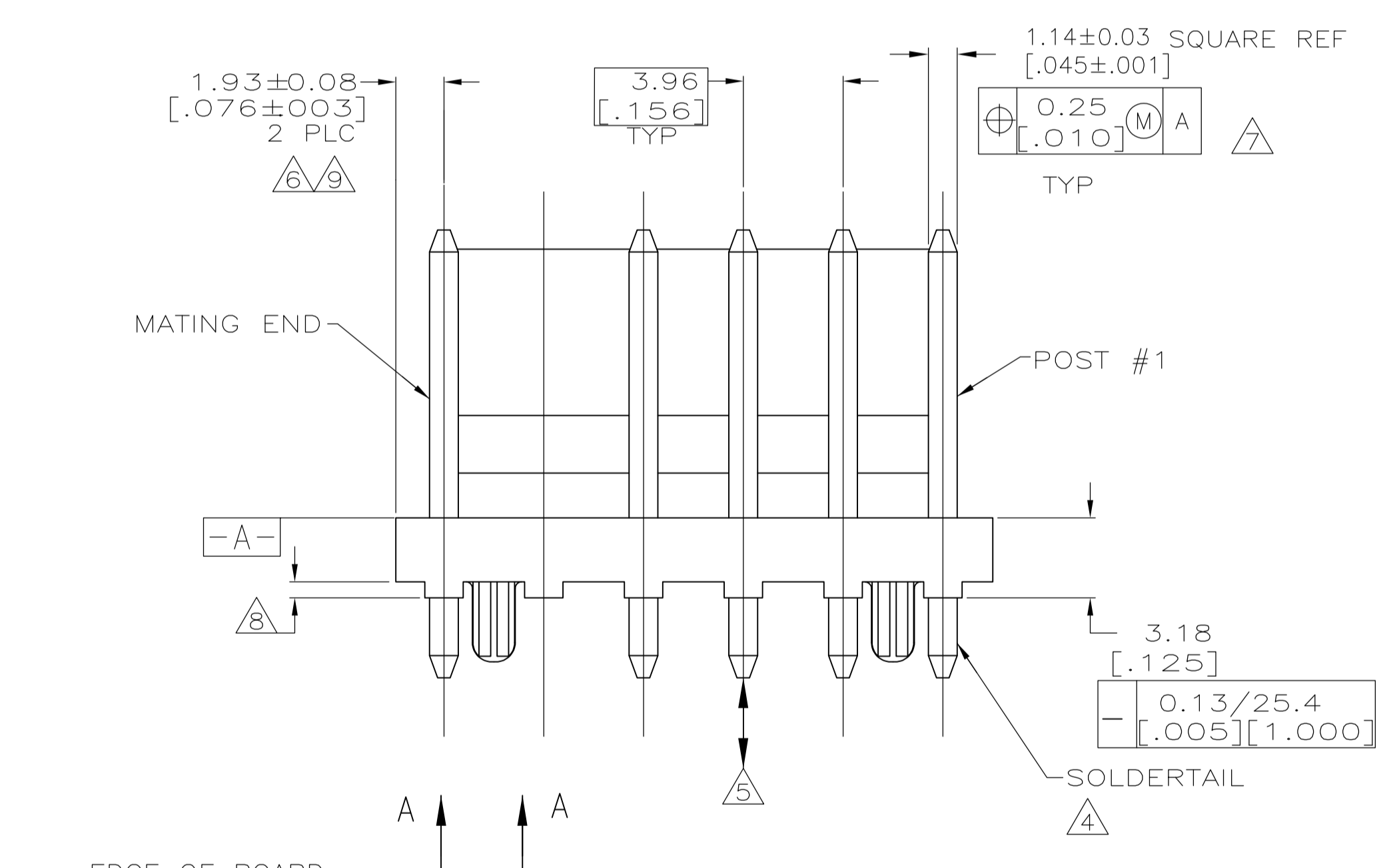
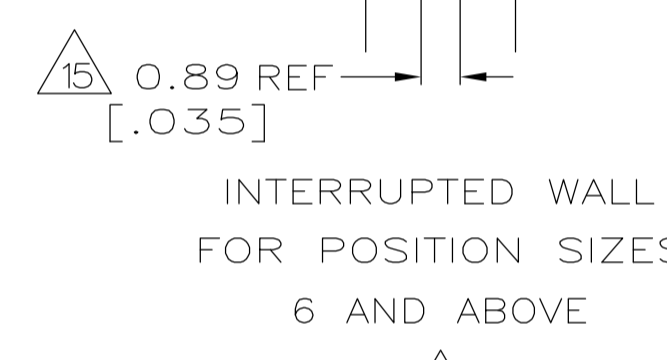
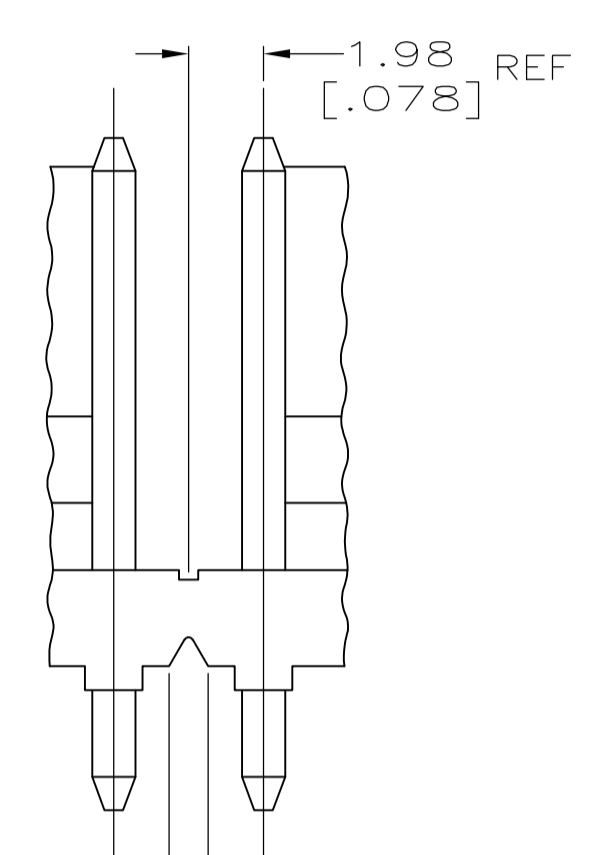
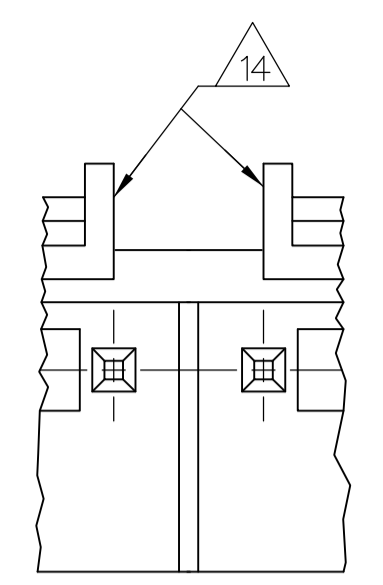
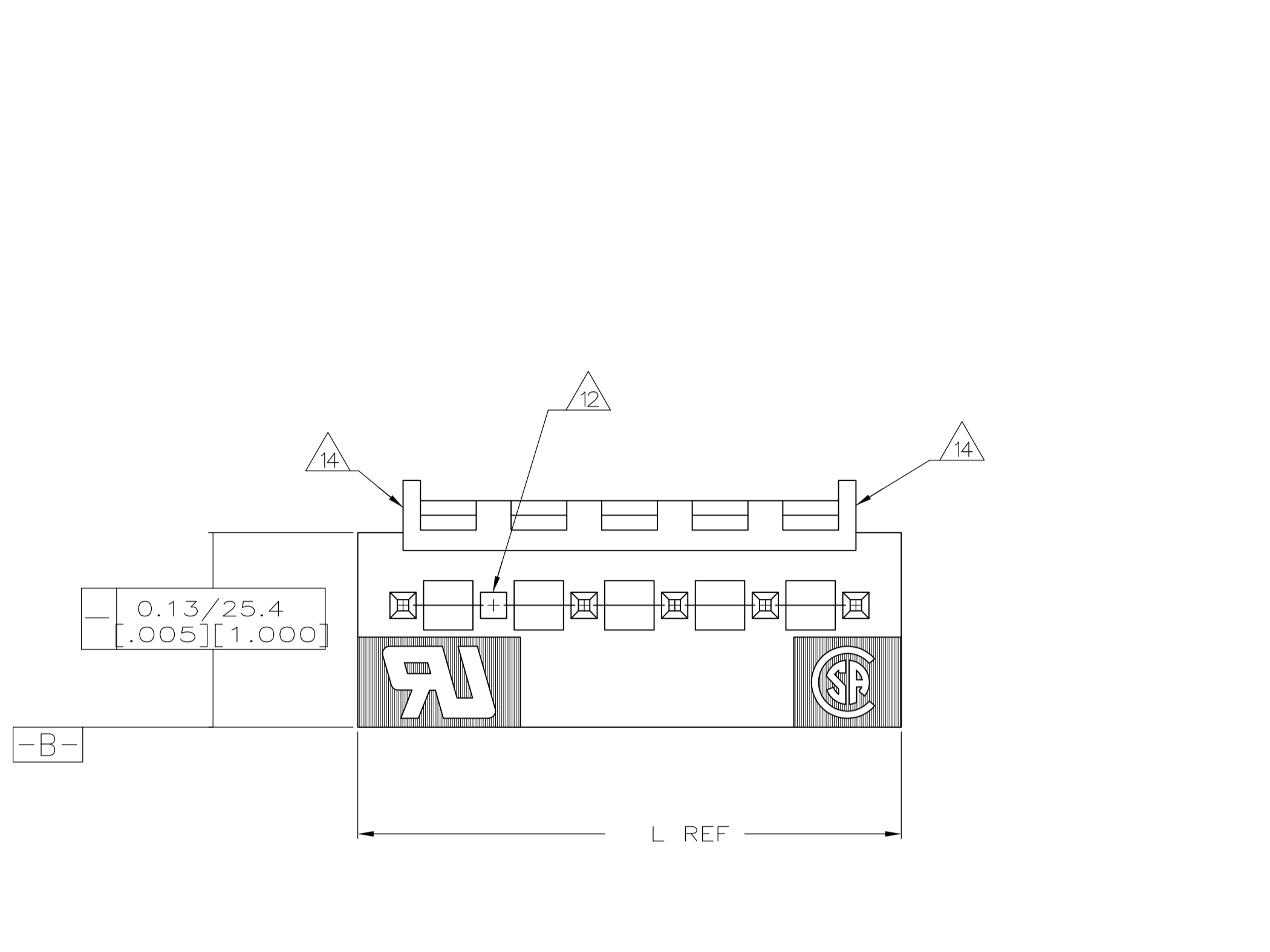


LOC		DIST		REVISIONS			
P	LTR	DESCRIPTION	DATE	DN	APVD		
E1		REVISED PER ECR-15-006687	21OCT2015	NK	NL		



- 1 MATERIAL
HOUSING: THERMOPLASTIC POLYESTER, GLASS FILLED, UL94V-0.
POST: COPPER ALLOY
- 2 FINISH
HOUSING: NATURAL
POST, BRIGHT TIN-LEAD (93/7) PLATE, 0.00380[.000150]-0.00880[.000350] OVER NICKEL UNDERPLATE, 0.0013[.00005] MIN THICK FOR -5 & 6.
POST, MATTE TIN PLATE, 0.00380[.000150]-0.00880[.000350] OVER NICKEL UNDERPLATE, 0.0013[.00005] MIN THICK FOR -35 & -36.
- 3 ALL POSITION SIZES HAVE THE BACKWALL NOTCHED ON BOTH ENDS AS SHOWN.
POSITION SIZES 6 AND ABOVE HAVE AN INTERRUPTED BACKWALL AT VARIOUS LOCATIONS. (SEE TABLE FOR INTERRUPTION(S) LOCATIONS).
- 4 POST SOLDER TAILS COMPLY WITH AMP SOLDERABILITY SPEC 109-11-2.
- 5 POST WITHSTANDS 13.34N (3 LB) MIN AXIAL FORCE IN EITHER DIRECTION WITHOUT DISLODGING.
- 6 APPLIES AT -A-.
- 7 APPLIES WHEN THE HEADER IS STRAIGHT.
- 8 PLASTIC PROJECTIONS PERMITTED IN THIS ZONE.
- 9 COORDINATE DIMENSIONS APPLIES FROM THE CENTER OF THE ACTUAL FEATURE.
- 10 SOLDER SIDE OF BOARD IS SHOWN.
- 11 THE RETENTION TABS PROVIDE A ONE-TIME INTERFERENCE FIT IN THE 1.63[.064] DIAMETER BOARD HOLE FOR HEADER ASSEMBLY RETENTION DURING SOLDERING. FOUR TABS PER PEG, TWO PEGS PER HEADER ASSEMBLY.
- 12 POST NO. 5 OMITTED.
- 13 DIMENSIONS IN BRACKETS ARE IN INCHES
- 14 EDGE OF POLARIZING LOCK WALL TO BE IN LINE WITH CENTERLINE OF ADJACENT POST WITHIN ±0.13 [.005].
- 15 NOTCH SHOWN MAY OR MAY NOT APPEAR.
- 16 OBSOLETE PART NUMBER

CALLOUT	DESCRIPTION	INCHES	MM	POSITION	PART NO.
16	3 & 4	23.65	[.931]	6	3-647068-6
	-	19.69	[.775]	5	3-647068-5
16	3 & 4	23.65	[.931]	6	647068-6
16	-	19.69	[.775]	5	647068-5

NOTES	BACKWALL INTERRUPTION(S) BETWEEN POST	L	NO OF POSITIONS	PART NO
THIS DRAWING IS A CONTROLLED DOCUMENT.				
DIMENSIONS: mm [INCHES]		TOLERANCES UNLESS OTHERWISE SPECIFIED:		
0 PLC ± -		1 PLC ± -		
1 PLC ± -		2 PLC ± 0.13[.005]		
2 PLC ± -		3 PLC ± -		
3 PLC ± -		4 PLC ± -		
4 PLC ± -		ANGLES ± -		
MATERIAL		FINISH		
CUSTOMER DRAWING		SCALE 5:1		

X-ON Electronics

Largest Supplier of Electrical and Electronic Components

Click to view similar products for [Headers & Wire Housings](#) category:

Click to view products by [TE Connectivity](#) manufacturer:

Other Similar products are found below :

[95000-104TRLF](#) [10135584-644402LF](#) [DF62W-EP2022PCA](#) [95000-106TRLF](#) [DF62W-2022SCA](#) [DF62W-EP2022PC](#) [2203348](#) [DF62W-2022SC](#) [1084018](#) [1029039](#) [1084017](#) [802-10-012-10-002000](#) [1112640](#) [1112639](#) [891-007-9SS-BST1T](#) [000-34000](#) [0008550134](#) [0009482033](#) [0009507031](#) [57102-F02-18ULF](#) [57102-S06-03LF](#) [57202-S52-04LF](#) [PCN6-15S-2.5E](#) [0039019024](#) [58102-G61-06LF](#) [582553-1](#) [0009485154](#) [0009508121](#) [0022285053](#) [0050291907](#) [018731A](#) [LY20-4P-DT1-P1E-BR](#) [02.125.8002.8](#) [60101931](#) [60598-1 \(Cut Strip\)](#) [M1625-3R/100](#) [61062-3](#) [61082-181009](#) [CSU011177004](#) [636-1427](#) [638009-1](#) [641938-9](#) [641991-4](#) [644168-1](#) [644827-2](#) [647662-1](#) [65039-019ELF](#) [65692-001LF](#) [65781-018](#) [65781-047](#)