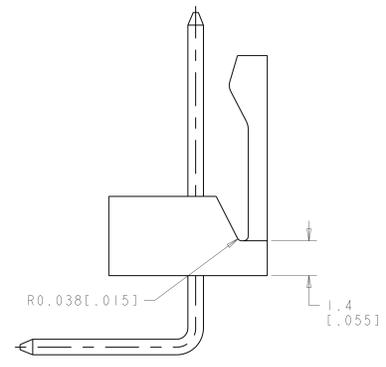
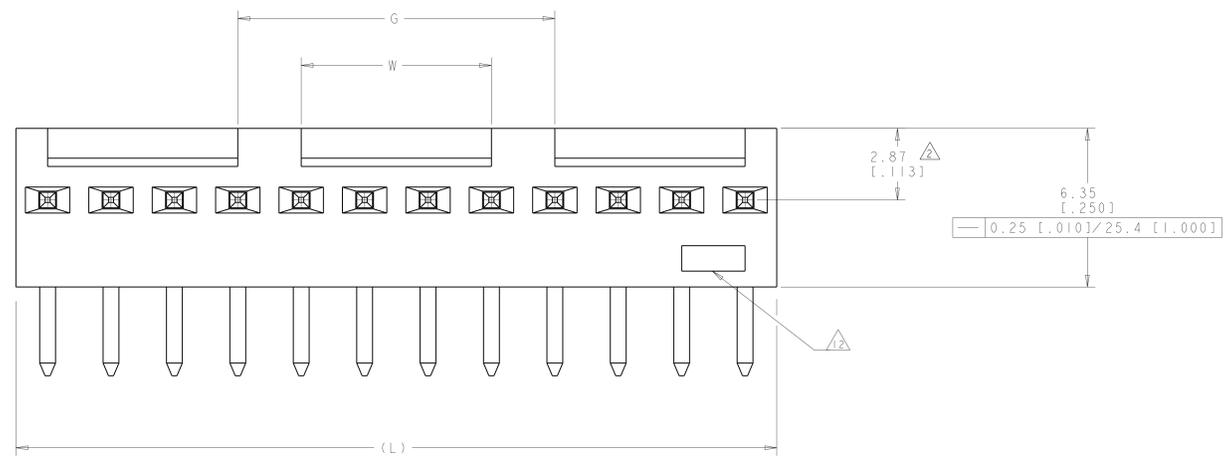
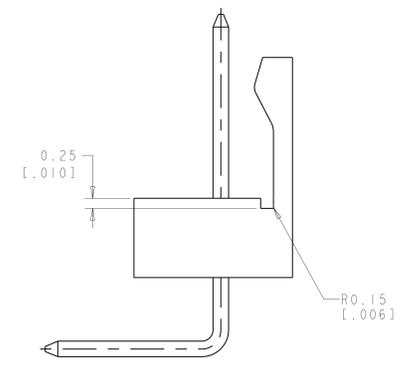
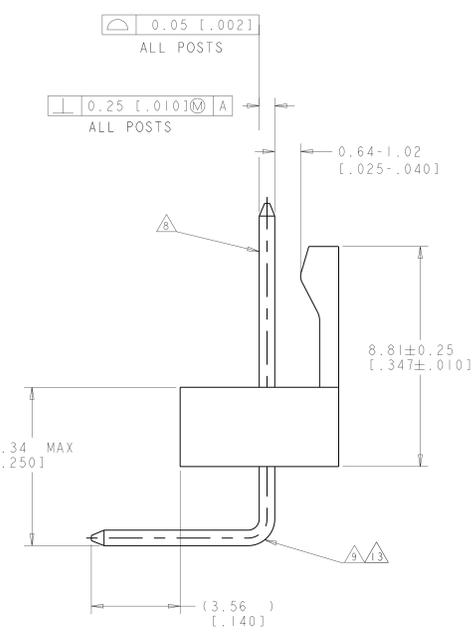
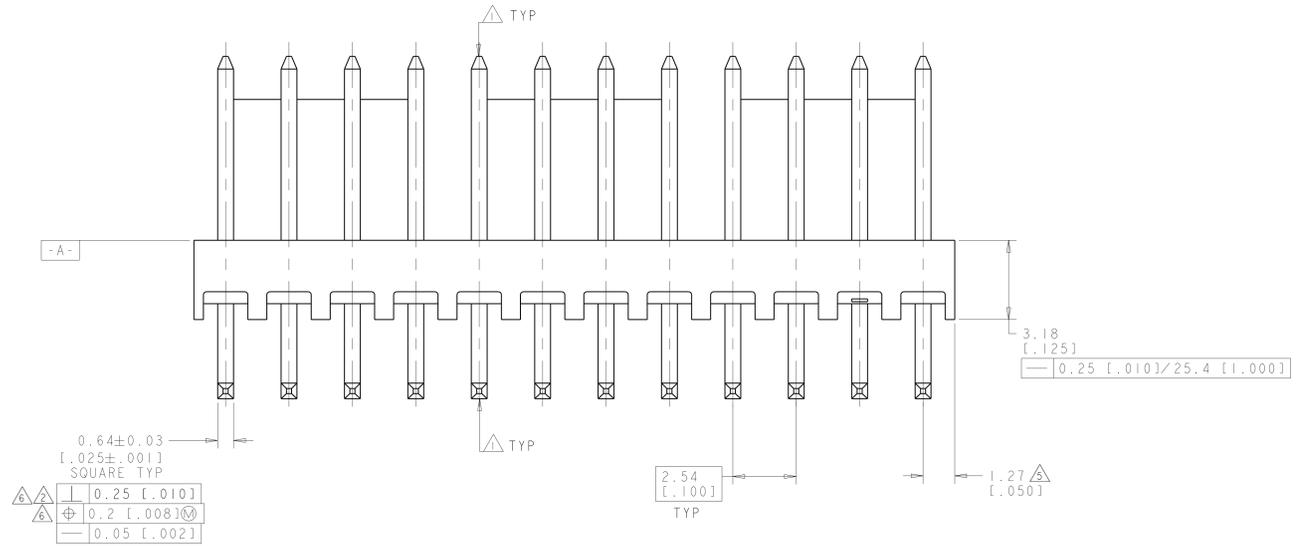


REV	DATE	DESCRIPTION	BY	APPD
P1	18JUN2018	REVISED PER ECR-18-004355	BDA	SG
R	14OCT2018	REVISED PER ECR-19-015071	BDA	SW

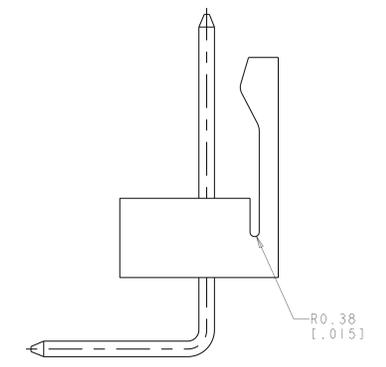


TYPICAL END VIEW FOR 4 THROUGH 7 POSITION

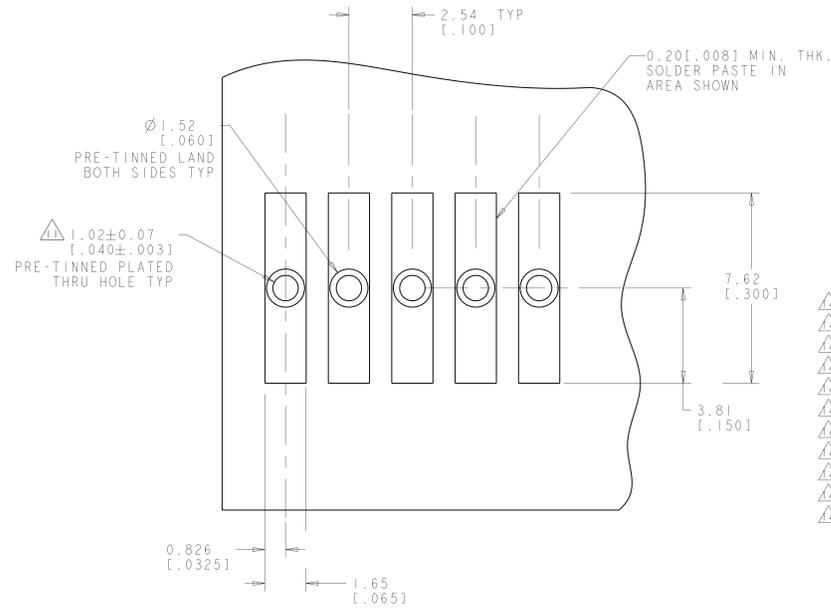
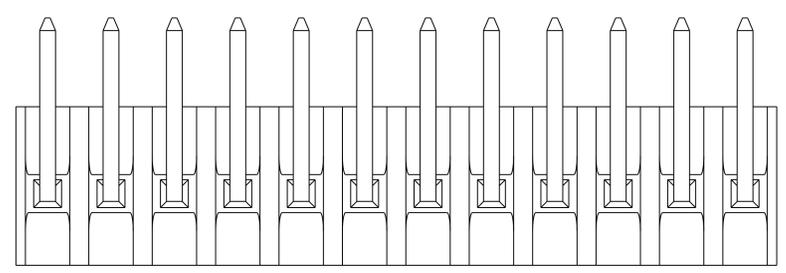
- △ POST WITHSTAND 13 NEWTONS (3 LBS) MIN AXIAL FORCE IN DIRECTION SHOWN WITHOUT DISLODGING.
- △ MEASURED AT [-A-].
- 3. PARTS COMPLY WITH SOLDERABILITY SPEC 109-11-2.
- △ MATERIAL:  
HOUSING: NYLON, 4/6, HIGH TEMP, BLACK.  
POST - COPPER ALLOY (SEE TABLE FOR PLATING).
- △ COORDINATE DIMENSION APPLIES FROM CENTER OF ACTUAL FEATURE.
- △ POSTS TO BE MEASURED WHEN STRIP HELD FLAT.
- 7. DIMENSIONS IN BRACKETS ARE IN INCHES.
- △ PLATING: GOLD PLATE AREA, 0.00076 [0.00030] GOLD OR 0.00008 [0.00003] MIN GOLD FLASH OVER 0.00068 [0.00027] PALLADIUM NICKEL, PER TE CONNECTIVITY'S DISCRETION, ALL SIDES, OVER NICKEL UNDERPLATE, 0.00127 [0.00050] MIN, ALL SIDES AND ENTIRE LENGTH OF POST.
- △ BRIGHT TIN/LEAD (93/7) PLATE AREA, 0.00381-0.00889 [0.00150-.000350] THICK, ALL FOUR SIDES, 3.56[.140] MIN.
- △ TOLERANCES APPLY TO SOLDER SIDE OF BOARD.
- △ ONE HOLE MAY BE UNDERSIZED 0.81-0.90 [0.32-.035] DIAMETER FOR ASSEMBLY RETENTION DURING PROCESSING.
- △ TE LOGO, UL, AND CSA TRADEMARKS TO APPEAR ON THIS SURFACE.
- △ MATTE TIN PLATE AREA, 0.00381-0.00889 [0.00150-.000350] THICK, ALL FOUR SIDES, 3.56[.140] MIN.
- △ OBSOLETE PARTS: OBSOLETE CIS STREAMLINING PER D.RENAUD/D.SINISI



TYPICAL END VIEW FOR 2 POSITION ONLY



TYPICAL END VIEW FOR 3 POSITION ONLY



RECOMMENDED MOUNTING HOLE PATTERN FOR 1.57±0.20 [0.062±0.008] THICK P.C. BOARD

POST FINISH	W	G	L	NO OF POSN	PART NO
△	7.62 [0.300]	12.70 [0.500]	30.48 [1.200]	12	4-647117-2
	-	10.16 [0.400]	27.94 [1.100]	11	4-647117-1
	-	7.62 [0.300]	25.40 [1.000]	10	4-647117-0
	-	5.08 [0.200]	22.86 [0.900]	9	3-647117-9
	-	2.54 [0.100]	20.32 [0.800]	8	3-647117-8
	-	-	17.78 [0.700]	7	3-647117-7
	-	-	15.24 [0.600]	6	3-647117-6
	-	-	12.70 [0.500]	5	3-647117-5
	-	-	10.16 [0.400]	4	3-647117-4
	-	-	7.62 [0.300]	3	3-647117-3
	-	-	5.08 [0.200]	2	3-647117-2
	△	7.62 [0.300]	12.70 [0.500]	30.48 [1.200]	12
-		10.16 [0.400]	27.94 [1.100]	11	1-647117-1
-		7.62 [0.300]	25.40 [1.000]	10	1-647117-0
-		5.08 [0.200]	22.86 [0.900]	9	647117-9
-		2.54 [0.100]	20.32 [0.800]	8	647117-8
-		-	17.78 [0.700]	7	647117-7
-		-	15.24 [0.600]	6	647117-6
-		-	12.70 [0.500]	5	647117-5
-		-	10.16 [0.400]	4	647117-4
-		-	7.62 [0.300]	3	647117-3
-		-	5.08 [0.200]	2	647117-2

THIS DRAWING IS A CONTROLLED DOCUMENT. DATE: 3-NOV-2001  
 DRAWN BY: J. WHITNEY  
 CHECKED BY: J. BOSS  
 APPROVED BY: J. BOSS

TE Connectivity  
 MTA-100 HEADER ASSY HIGH TEMP. FRICTION LOCK .025 SQ. RIGHT ANGLE. FRONT BEND POST., 0.00030 GOLD

SCALE: 10:1

## X-ON Electronics

Largest Supplier of Electrical and Electronic Components

*Click to view similar products for te connectivity manufacturer:*

Other Similar products are found below :

[570416-000](#) [CLTEQ-M81CE-SSRELAY-4-20V](#) [D38999/24FJ4AN](#) [358838-000](#) [4-1195131-0](#) [650069-000](#) [SMD100-2](#) [CB-1022B-78](#)  
[RM707012](#) [RP410012](#) [MMS42](#) [1-640426-8](#) [2EDL4CM](#) [DTS20W19-11PD-3028-LC](#) [RM202615](#) [NC6-P104-06](#) [MSPS103B](#) [DTS26F21-41AE](#) [DTS26F21-41PE-LC](#) [DTS26F21-11SE-3028-LC](#) [1932144-1](#) [293545-4](#) [LVR125S](#) [MS27466T25F4PB](#) [CKB-38-78010](#)  
[1206SFF150F/63-2](#) [D38999/20JB35HA](#) [D38999/24WJ20PA](#) [1754138-1](#) [TE1500A2R2J](#) [DTS24F25-29PC-3028-LC](#) [D38999/24WG11HA](#)  
[D38999/24WG11HN](#) [MS27467T21F11H](#) [DJT16E21-11HA](#) [1206SFH150F/24-2](#) [DTS24F19-11SC-3028-LC](#) [DTS24F21-41HN-LC](#)  
[DTS24F21-41AN](#) [DTS24F21-41PN-LC](#) [MS27467T21F35J](#) [MS27467T21F11J](#) [MS27467T21F16H-LC](#) [MS27467T21F35H](#)  
[MS27467T21F41H-LC](#) [DJT16E21-11PA-LC](#) [DJT16E21-11HA-LC](#) [DJT16E21-11AA](#) [MS27467T21B11JA](#) [DJT16E21-11JA](#)