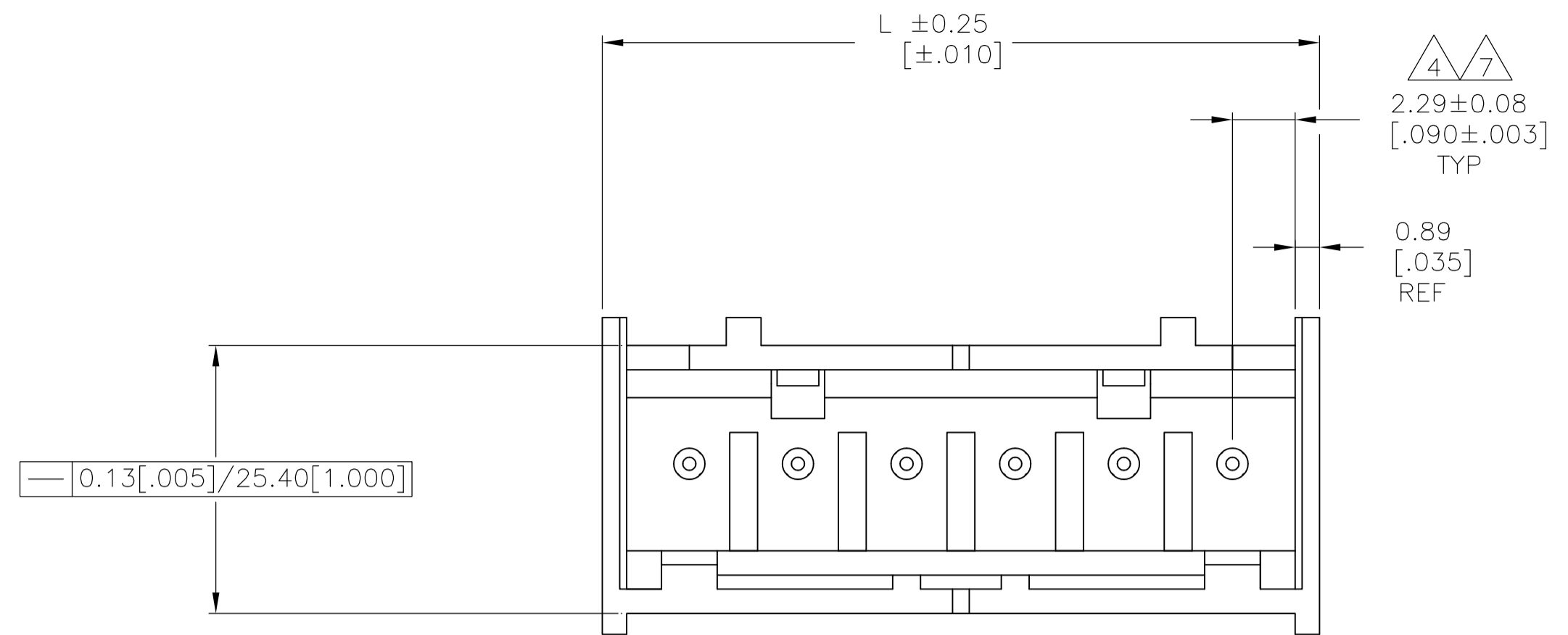
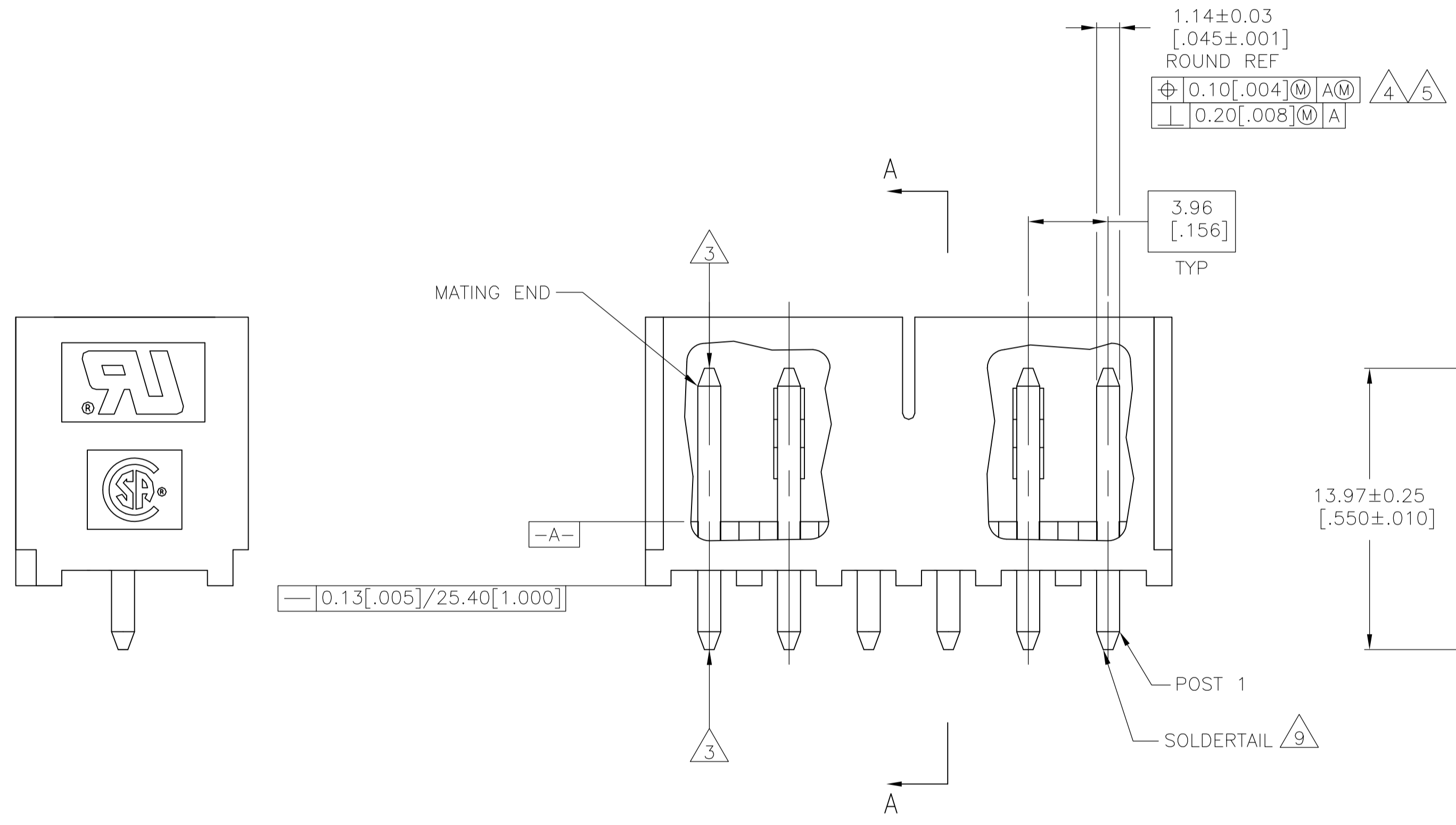


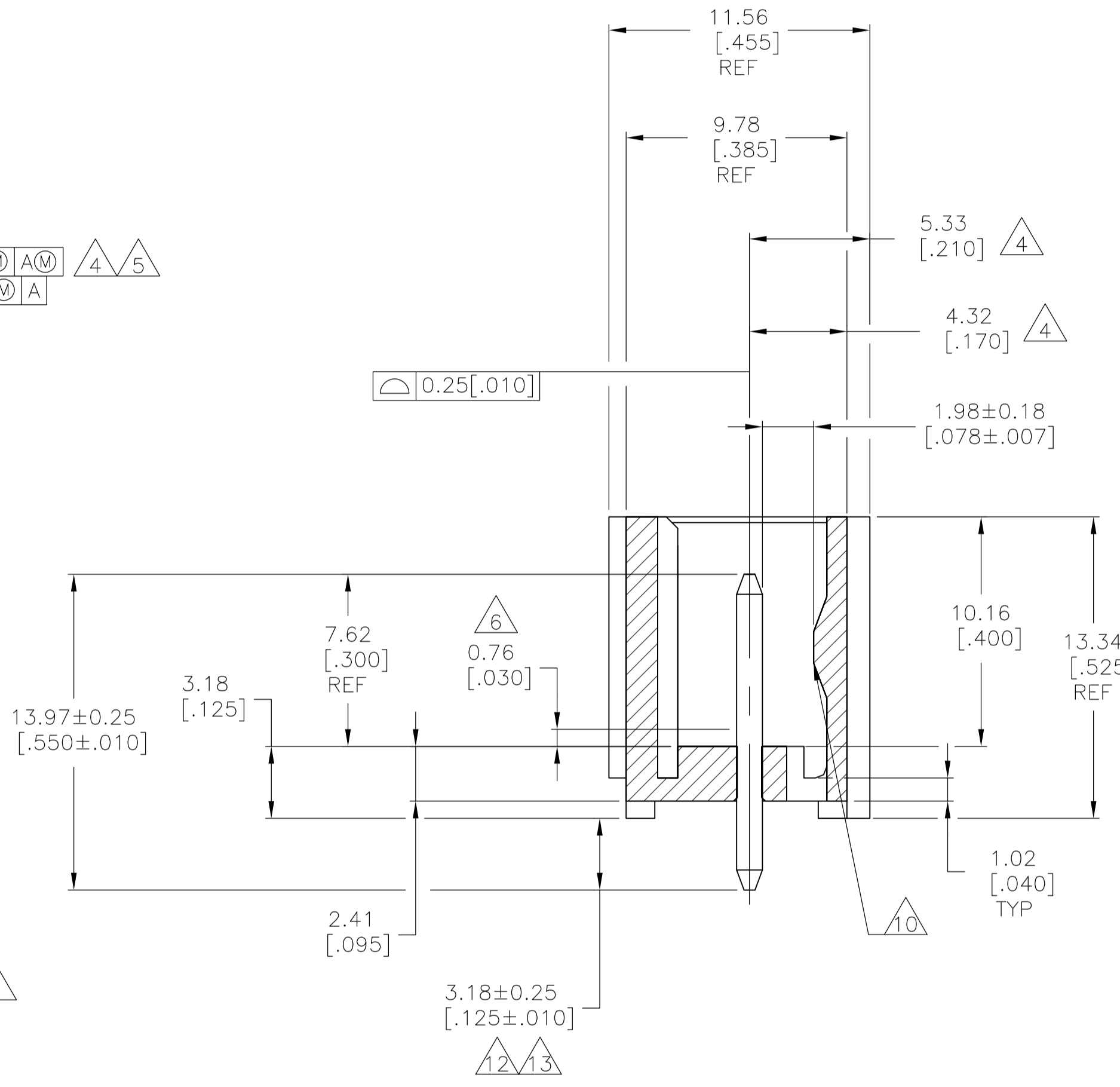
LOC		DIST		REVISIONS			
CM	00	REV	DESCRIPTION	DATE	BY	APPV	
		D	EC 003B 1113 04	26DEC05	BSV	DB	
		D1	REVISED PER ECO-09-021510	14SEP09	KK	AEG	



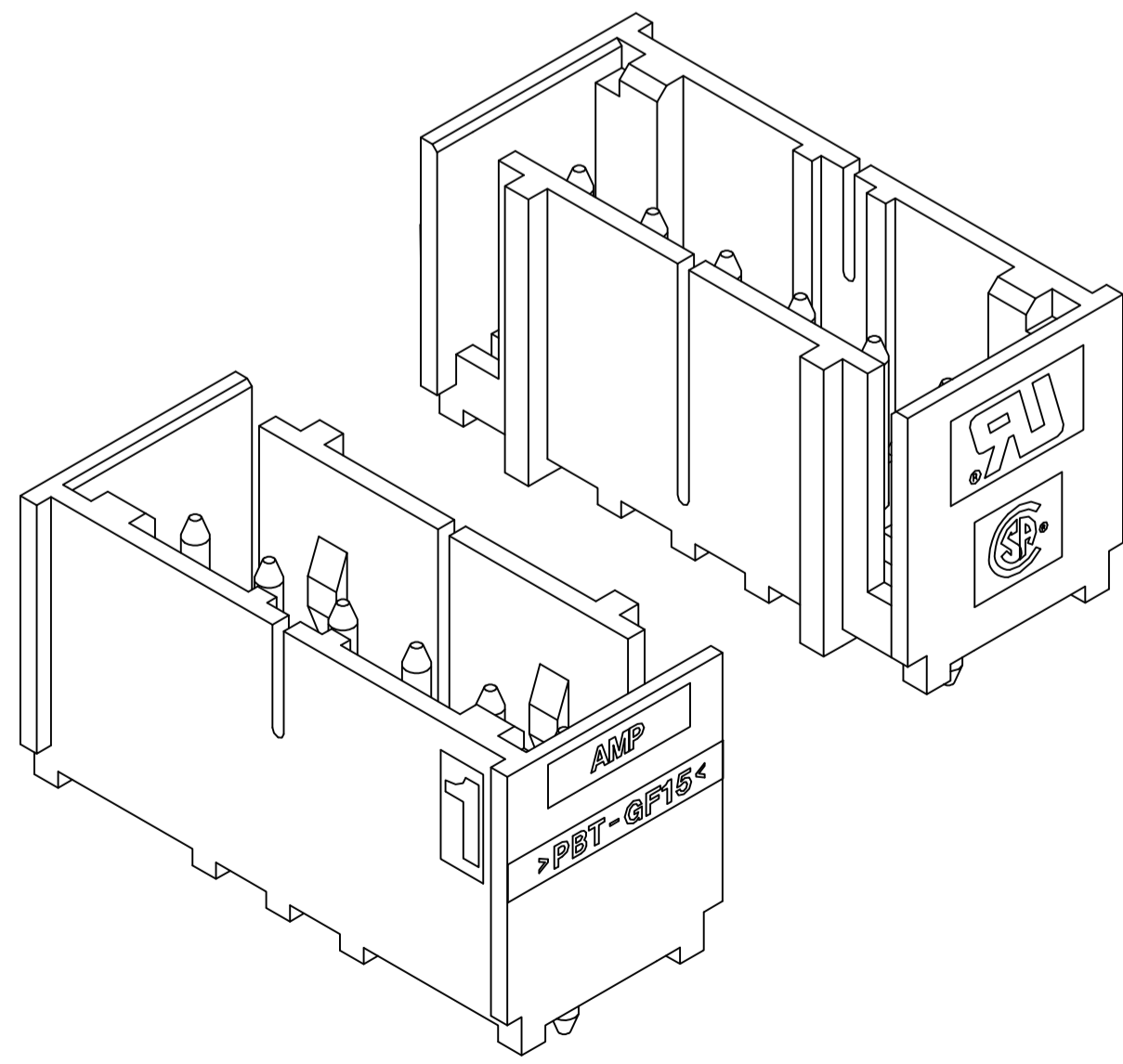
4 7
 2.29±0.08
 [.090±.003]
 TYP
 0.89
 [.035]
 REF



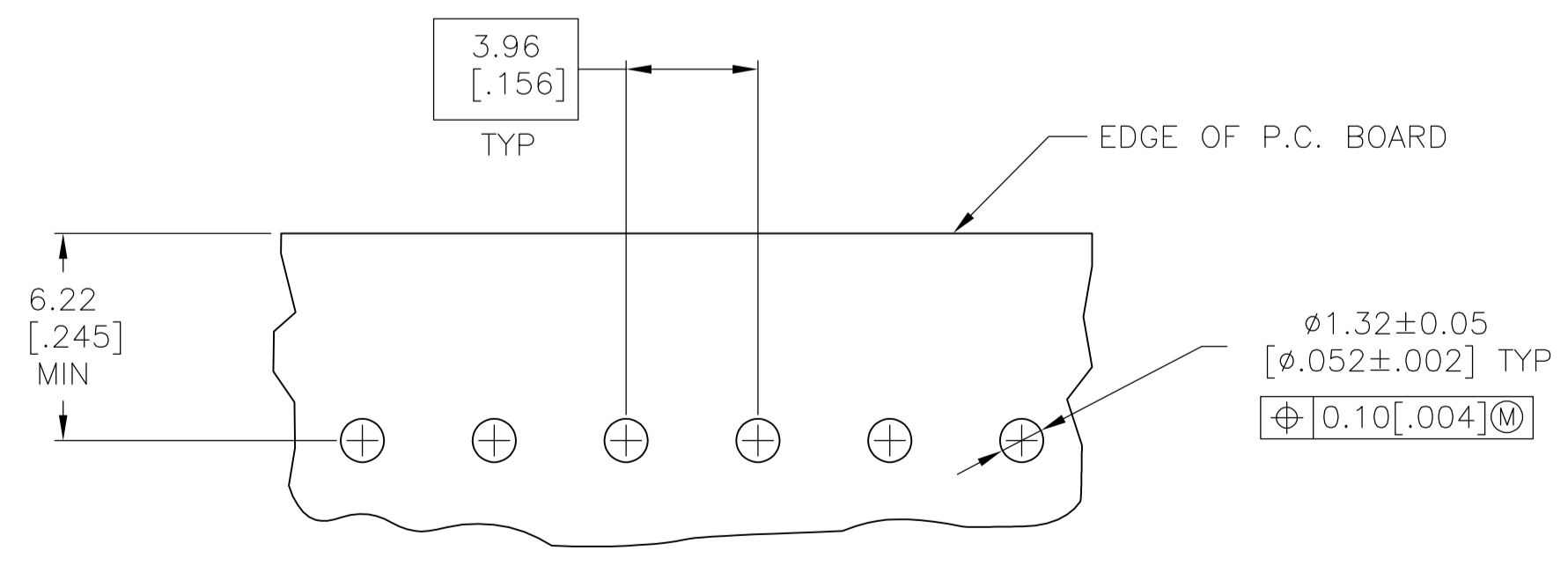
1.14±0.03
 [.045±.001]
 ROUND REF
 3.96
 [.156]
 TYP
 0.10[.004] M A M
 0.20[.008] M A
 4 5



SECTION A-A



3-DIMENSIONAL MODEL NTS



RECOMMENDED MOUNTING HOLE PATTERN FOR 1.57[.062] THICK P.C. BOARD 8

- MATERIAL:
HOUSING - THERMOPLASTIC POLYESTER, GLASS FILLED, UL94-0.
POST - COPPER ALLOY
- FINISH:
HOUSING - BLACK
POST - SEE NOTES 12 AND 13.
- POST TO WITHSTAND 3LBS (16N) MIN AXIAL FORCE IN THIS DIRECTION WITHOUT DISLODGING.
- APPLIES AT -A-.
- APPLIES WHEN HEADER IS STRAIGHT.
- PLASTIC PROJECTIONS PERMITTED IN THIS ZONE.
- COORDINATE DIMENSIONS APPLIES FROM CENTER OF ACTUAL FEATURE.
- SOLDER SIDE OF BOARD IS SHOWN.
- POST SOLDER TAIL MUST COMPLY WITH AMP SOLDERABILITY SPEC 109-11-2.
- LATCH DETENT FEATURE APPEARS 1 PLACE ON EACH END OF PART (MAX OF 2 PER PART) ON ALL POSITIONS 4 THRU 12. THE LATCH APPEARS ONLY ONE PLACE ON 2 & 3 POSITION PARTS.
- DIMENSIONS IN BRACKETS ARE IN INCHES.
- BRIGHT TIN LEAD (93/7) PLATE 0.00381 - 0.00889 [.000150 - .000350] THICK, OVER NICKEL UNDERPLATE 0.00127 [.000050] MIN THICK.
- MATTE TIN PLATE 0.00381 - 0.00889 [.000150 - .000350] THICK, OVER NICKEL UNDERPLATE 0.00127 [.000050] MIN THICK.
- OBsolete PARTS: OBsolete CIS STREAMLINING PER D.RENAUD/D.SINISI

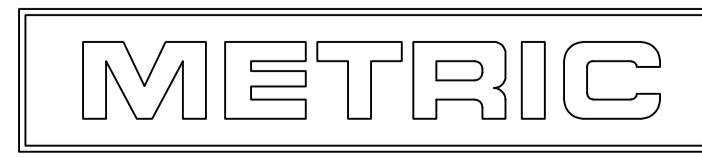
14 SUPERSEDED
 12 SUPERSEDED

647124-6 SHOWN

REV	DESCRIPTION	DATE	BY	APPV
49.94	1.966	12	3-647124-2	
45.97	1.810	11	3-647124-1	
42.01	1.654	10	3-647124-0	
38.05	1.498	9	2-647124-9	
34.09	1.342	8	2-647124-8	
30.12	1.186	7	2-647124-7	
26.16	1.030	6	2-647124-6	
22.20	.874	5	2-647124-5	
18.24	.718	4	2-647124-4	
14.27	.562	3	2-647124-3	
10.31	.406	2	2-647124-2	
49.94	1.966	12	1-647124-2	
45.97	1.810	11	1-647124-1	
42.01	1.654	10	1-647124-0	
38.05	1.498	9	647124-9	
34.09	1.342	8	647124-8	
30.12	1.186	7	647124-7	
26.16	1.030	6	647124-6	
22.20	.874	5	647124-5	
18.24	.718	4	647124-4	
14.27	.562	3	647124-3	
10.31	.406	2	647124-2	

PLATING	MM	IN	NO. OF POSN	PART NUMBER

THIS DRAWING IS A CONTROLLED DOCUMENT.		DIN B LEWIS 17JUN98	Tyco Electronics Corporation Harrisburg, PA 17105-3608	
DIMENSIONS: mm [INCHES]		CHK R SWING 17JUN98	NAME	
TOLERANCES UNLESS OTHERWISE SPECIFIED:		APPROV D CLARK 17JUN98	PRODUCT SPEC	
0 PLC	± -	APPLICATION SPEC		
1 PLC	± -	SIZE		
2 PLC	± -	WEIGHT		
3 PLC	± .005	CUSTOMER DRAWING		
4 PLC	± -	SCALE 5:1		
ANGLES	± -	SHEET 1 of 1		
MATERIAL		FINISH		REV D1



X-ON Electronics

Largest Supplier of Electrical and Electronic Components

Click to view similar products for [Headers & Wire Housings](#) category:

Click to view products by [TE Connectivity](#) manufacturer:

Other Similar products are found below :

[95000-104TRLF](#) [10135584-644402LF](#) [DF62W-EP2022PCA](#) [95000-106TRLF](#) [DF62W-2022SCA](#) [DF62W-EP2022PC](#) [2203348](#) [DF62W-2022SC](#) [1084018](#) [1029039](#) [1084017](#) [802-10-012-10-002000](#) [1112640](#) [1112639](#) [000-34000](#) [0009482033](#) [0009507031](#) [57102-S06-03LF](#) [57202-S52-04LF](#) [PCN6-15S-2.5E](#) [0039019024](#) [58102-G61-06LF](#) [582553-1](#) [0009508121](#) [0050291907](#) [018731A](#) [LY20-4P-DT1-P1E-BR](#) [02.125.8002.8](#) [60101931](#) [60598-1 \(Cut Strip\)](#) [M1625-3R/100](#) [61062-3](#) [61082-181009](#) [636-1427](#) [638009-1](#) [641938-9](#) [641991-4](#) [644168-1](#) [647662-1](#) [65039-019ELF](#) [65817-002LF](#) [65817-015LF](#) [65863-015LF](#) [66207-023LF](#) [67016-026LF](#) [67046-001LF](#) [67095-007LF](#) [68002-116](#) [68016-236H](#) [68648-049](#)