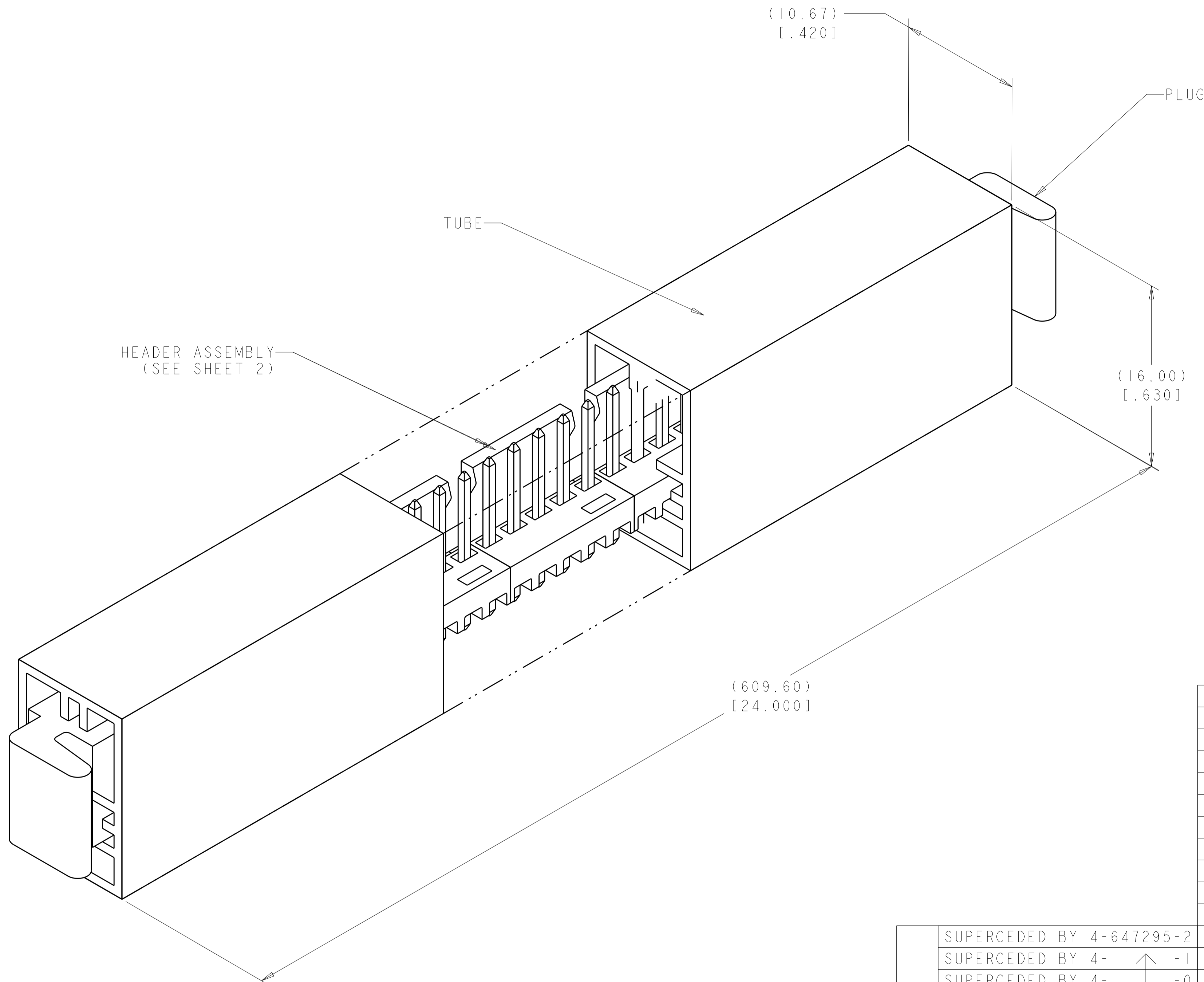


REVISIONS				
REV	LTN	DESCRIPTION	DATE	APVD
K3		REVISED PER ECR-18-004355	18JUN2018	BDA SG



TUBE LOADED HEADER ASSEMBLY

- △ POST TO WITHSTAND 13 NEWTONS (3 LBS) MIN AXIAL FORCE IN BOTH DIRECTIONS SHOWN WITHOUT DISLODGING.
- △ TOLERANCES APPLY TO SOLDER SIDE OF BOARD.
- △ MEASURED AT -A-.
- 4. PARTS TO COMPLY WITH AMP SOLDERABILITY SPEC 109-11-2.
- △ ONE HOLE MAY BE UNDERSIZED 0.81 - 0.89 [.032 - .035] DIA. FOR ASSEMBLY RETENTION DURING WAVE SOLDERING.
- △ MATERIAL: HOUSING : NYLON, 4/6, HIGH TEMP, BLACK.  
POST -2 THRU -12 : COPPER ALLOY TIN LEAD (93/7) PLATING  
POST -32 THRU -42 : COPPER ALLOY TIN PLATE
- △ COORDINATE DIMENSION APPLIES FROM CENTER OF ACTUAL FEATURE.
- △ POST TO BE MEASURED WHEN STRIP IS HELD FLAT.
- 9. TUBE MUST MAINTAIN PART ORIENTATION AND ALLOW FREE SLIDING AT A 45° TUBE INCLINE.
- 10. DIMENSIONS IN BRACKETS ARE IN INCHES.
- △ AMP LOGO AND UL AND CSA TRADEMARKS TO APPEAR ON THIS SURFACE.
- △ OBSOLETE PARTS: OBSOLETE CIS STREAMLINING PER D.RENAUD/D.SINISI

TIN	7.62 [.300]	12.70 [.500]	2	19	30.48 [1.200]	12	4-647295-2
TIN	-	10.16 [.400]	2	20	27.94 [1.100]	11	4-647295-1
TIN	-	7.62 [.300]	2	22	25.40 [1.000]	10	4-647295-0
TIN	-	5.08 [.200]	2	25	22.86 [.900]	9	3-647295-9
TIN	-	2.54 [.100]	2	28	20.32 [.800]	8	3-647295-8
TIN	-	-	2	32	17.78 [.700]	7	3-647295-7
TIN	-	-	2	38	15.24 [.600]	6	3-647295-6
TIN	-	-	2	45	12.70 [.500]	5	3-647295-5
TIN	-	-	2	57	10.16 [.400]	4	3-647295-4
TIN	-	-	2	76	7.62 [.300]	3	3-647295-3
TIN	-	-	2	114	5.08 [.200]	2	3-647295-2

△	SUPERCEDED BY 4-647295-2	TIN-LEAD	7.62 [.300]	12.70 [.500]	2	19	30.48 [1.200]	12	1-647295-2
	SUPERCEDED BY 4-	TIN-LEAD	-	10.16 [.400]	2	20	27.94 [1.100]	11	1-647295-1
	SUPERCEDED BY 4-	TIN-LEAD	-	7.62 [.300]	2	22	25.40 [1.000]	10	1-647295-0
	SUPERCEDED BY 3-	TIN-LEAD	-	5.08 [.200]	2	25	22.86 [.900]	9	647295-9
	SUPERCEDED BY 3-	TIN-LEAD	-	2.54 [.100]	2	28	20.32 [.800]	8	647295-8
	SUPERCEDED BY 3-	TIN-LEAD	-	-	2	32	17.78 [.700]	7	647295-7
	SUPERCEDED BY 3-	TIN-LEAD	-	-	2	38	15.24 [.600]	6	647295-6
	SUPERCEDED BY 3-	TIN-LEAD	-	-	2	45	12.70 [.500]	5	647295-5
	SUPERCEDED BY 3-	TIN-LEAD	-	-	2	57	10.16 [.400]	4	647295-4
	SUPERCEDED BY 3-	TIN-LEAD	-	-	2	76	7.62 [.300]	3	647295-3
	SUPERCEDED BY 3-647295-2	TIN-LEAD	-	-	2	114	5.08 [.200]	2	647295-2

FINISH	W	G	PLUG	HEADER ASSEMBLIES	L	NO. OF POSN	TUBE LOADED ASSEMBLY PART NUMBER

THIS DRAWING IS A CONTROLLED DOCUMENT.

APVD: D. BOSSI, 02JAN2002

CHK: D. BOSSI, 02JAN2002

DWN: J. WHITAKER, 02JAN2002

NAME: MTA-100 HEADER ASSY, HIGH TEMP, FRICTION LOCK, .025 SQ STR POST, TIN OR TIN-LEAD PLATED, TUBE LOADED

PRODUCT SPEC: APPLICATION SPEC

SIZE: A1, CAGE CODE: 00779, DRAWING NO: 647295

REVISION: K3

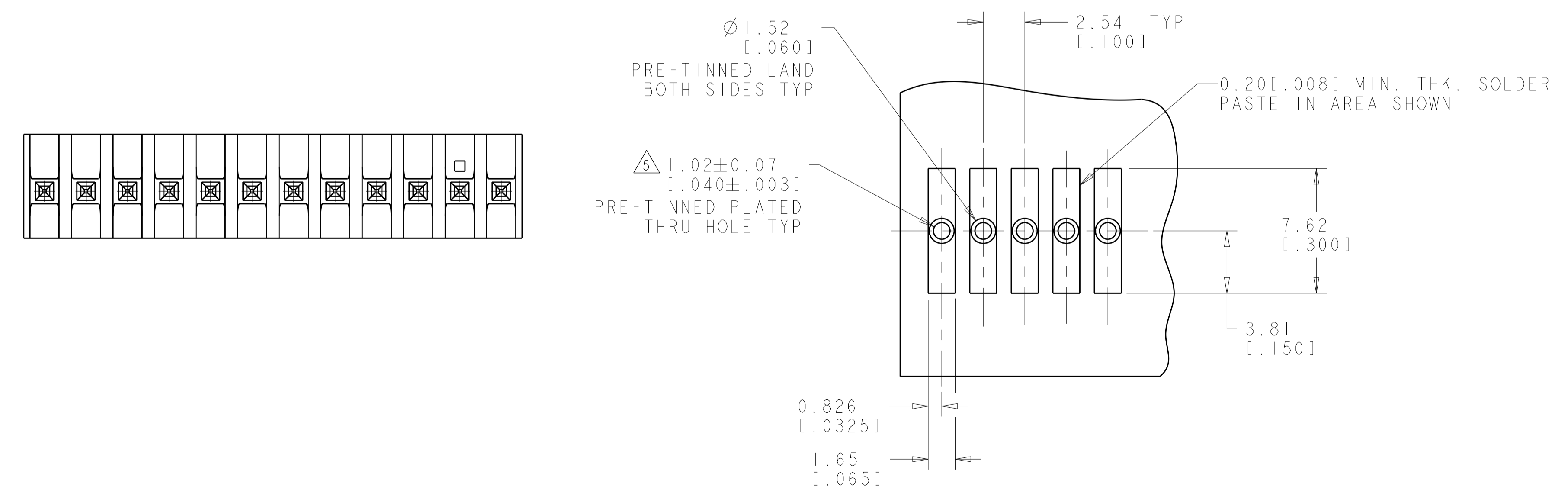
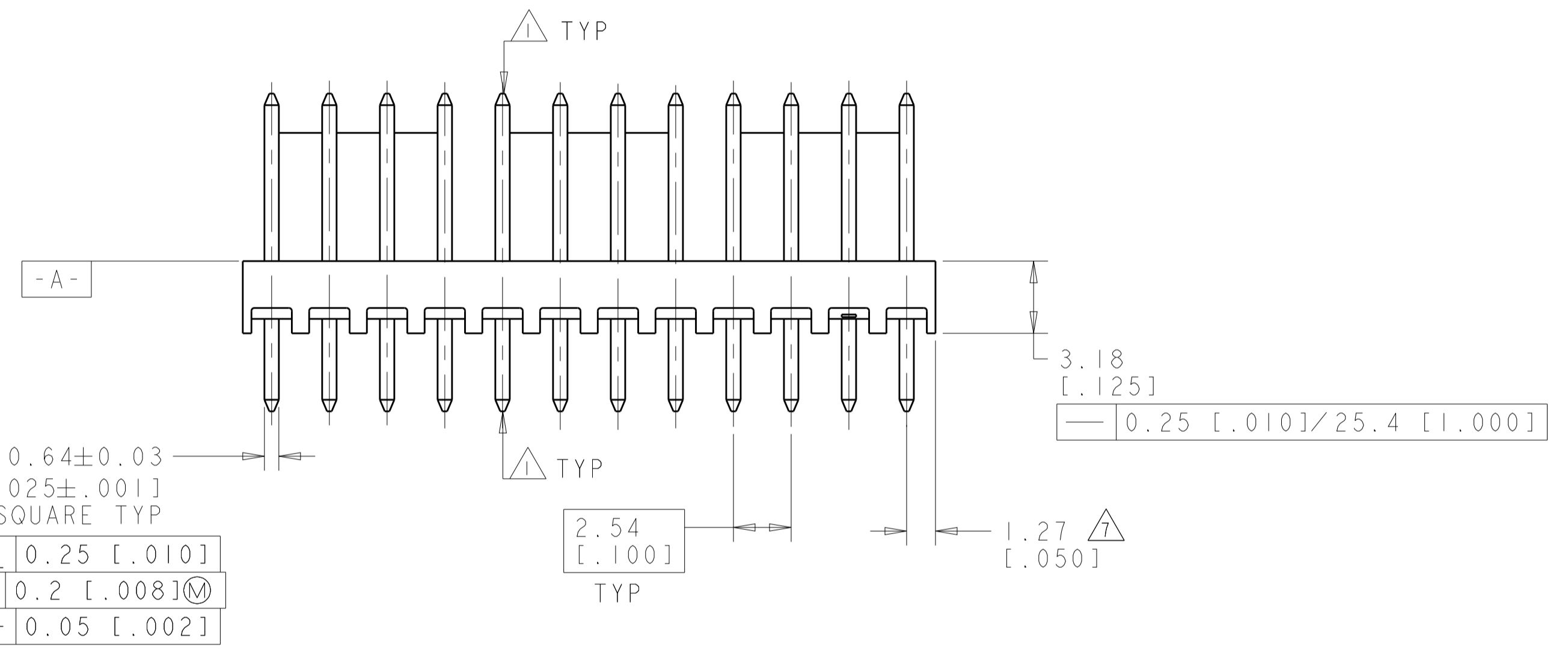
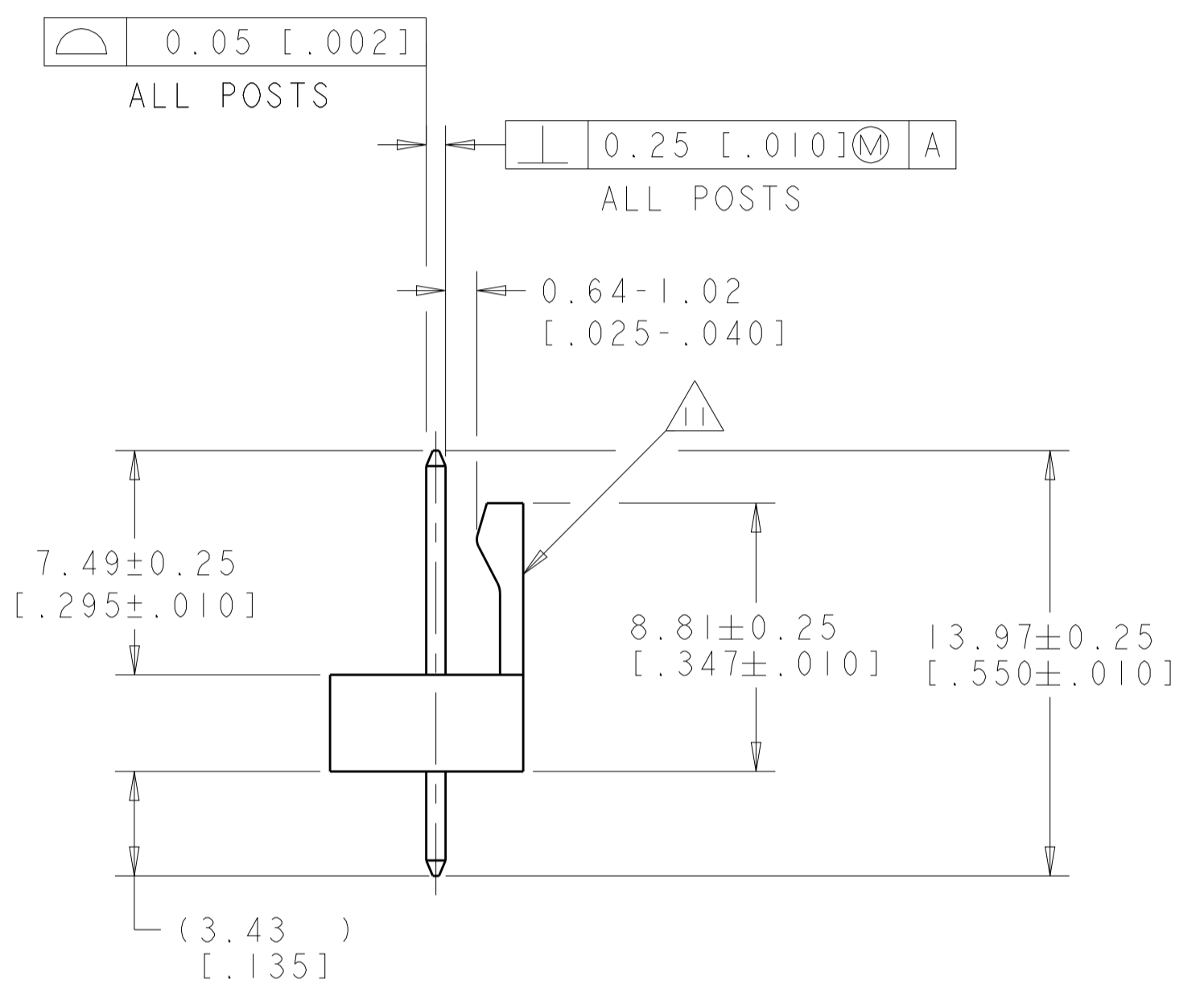
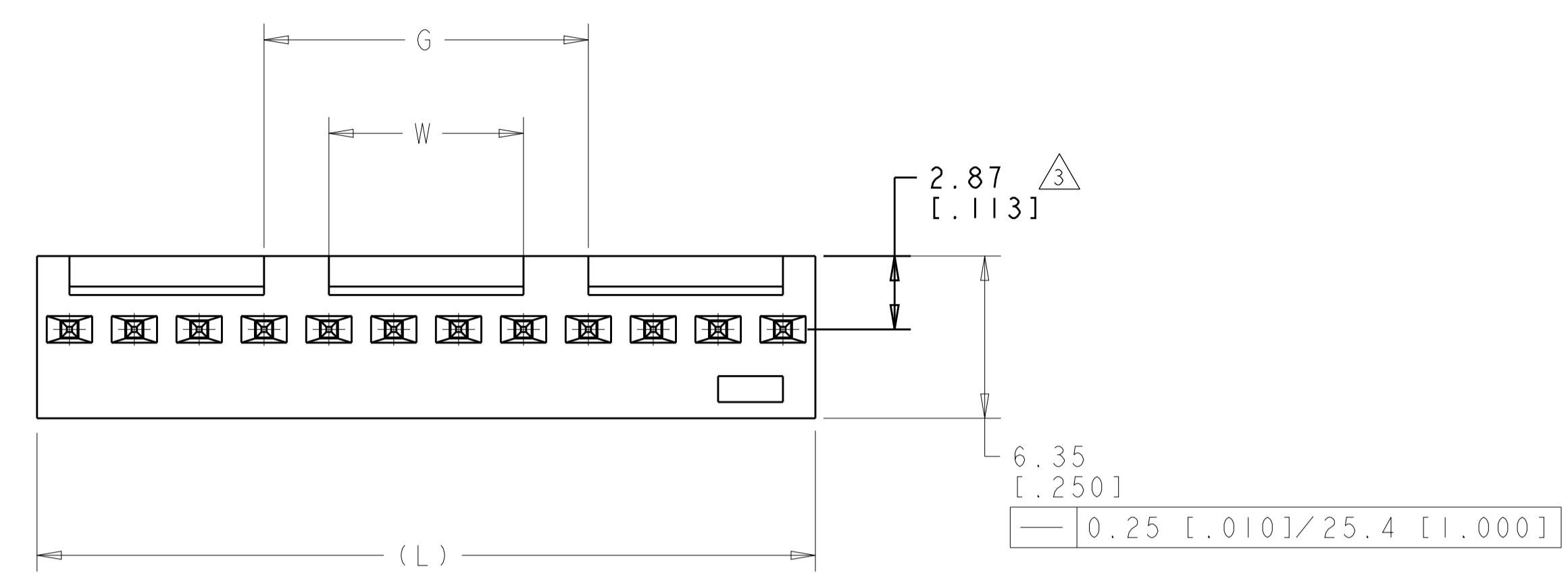
SCALE: 5:1

SHEET 1 OF 2

REV: K3

CUSTOMER DRAWING

REVISIONS				
P.	LTN	DESCRIPTION	DATE	APVD
-	-	SEE SHEET 1	-	-



RECOMMENDED MOUNTING HOLE PATTERN  
 FOR 1.57±0.20 [0.062±.008] THICK P.C. BOARD

THIS DRAWING IS A CONTROLLED DOCUMENT.		DWN K. WHITAKER 02JAN2002	TE Connectivity								
DIMENSIONS: mm [INCHES]		CHK D. BOSSI 02JAN2002									
TOLERANCES UNLESS OTHERWISE SPECIFIED:		APVD D. BOSSI 02JAN2002	NAME MTA-100 HEADER ASSY, HIGH TEMP, FRICTION LOCK, .025 SQ STR POST, TIN OR TIN-LEAD PLATED, TUBE LOADED								
<table border="1"> <tr> <td>0 PLC</td> <td>±</td> </tr> <tr> <td>2 PLC</td> <td>±</td> </tr> <tr> <td>3 PLC</td> <td>±0.38 [0.015]</td> </tr> <tr> <td>4 PLC</td> <td>±</td> </tr> </table>		0 PLC	±	2 PLC	±	3 PLC	±0.38 [0.015]	4 PLC	±	PRODUCT SPEC	SIZE A100779
0 PLC	±										
2 PLC	±										
3 PLC	±0.38 [0.015]										
4 PLC	±										
MATERIAL		APPLICATION SPEC	DRAWING NO C=647295								
FINISH		WEIGHT	RESTRICTED TO								
CUSTOMER DRAWING		SCALE 5:1	SHEET 2 OF 2								

## X-ON Electronics

Largest Supplier of Electrical and Electronic Components

*Click to view similar products for [Headers & Wire Housings](#) category:*

*Click to view products by [TE Connectivity](#) manufacturer:*

Other Similar products are found below :

[95000-104TRLF](#) [10135584-644402LF](#) [DF62W-EP2022PCA](#) [95000-106TRLF](#) [DF62W-2022SCA](#) [DF62W-EP2022PC](#) [2203348](#) [DF62W-2022SC](#) [1084018](#) [1029039](#) [1084017](#) [802-10-012-10-002000](#) [1112640](#) [1112639](#) [891-007-9SS-BST1T](#) [000-34000](#) [0008550134](#) [0009482033](#) [0009507031](#) [57102-F02-18ULF](#) [57102-S06-03LF](#) [57202-S52-04LF](#) [PCN6-15S-2.5E](#) [0039019024](#) [58102-G61-06LF](#) [582553-1](#) [0009485154](#) [0009508121](#) [0022285053](#) [0050291907](#) [018731A](#) [LY20-4P-DT1-P1E-BR](#) [02.125.8002.8](#) [60101931](#) [60598-1 \(Cut Strip\)](#) [M1625-3R/100](#) [61062-3](#) [61082-181009](#) [CSU011177004](#) [636-1427](#) [638009-1](#) [641938-9](#) [641991-4](#) [644168-1](#) [644827-2](#) [647662-1](#) [65039-019ELF](#) [65692-001LF](#) [65781-018](#) [65781-047](#)