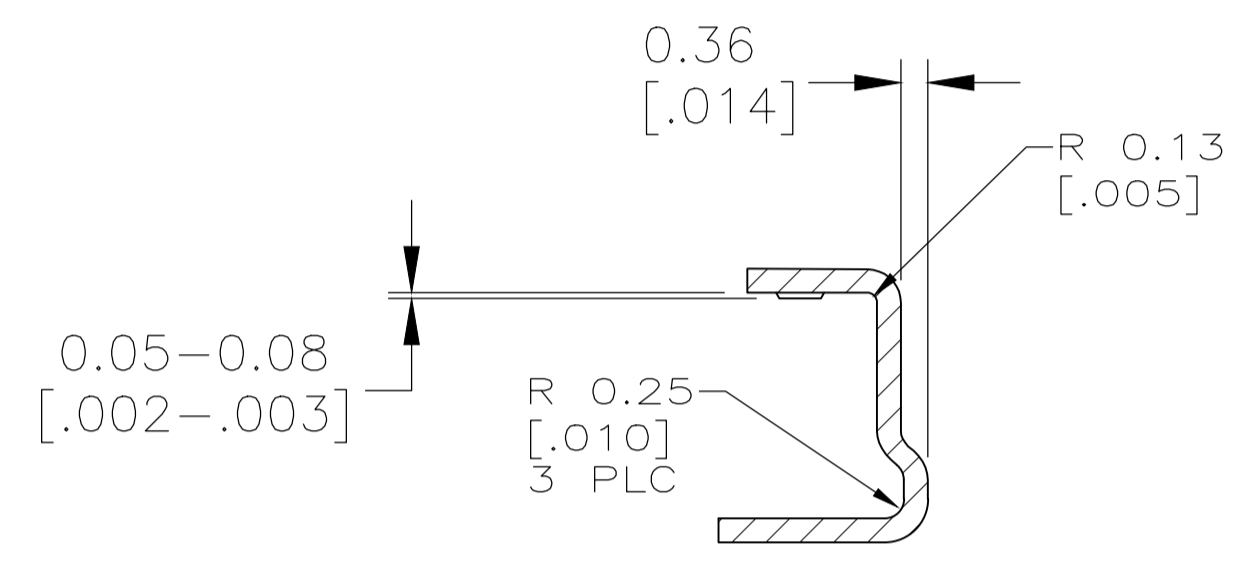
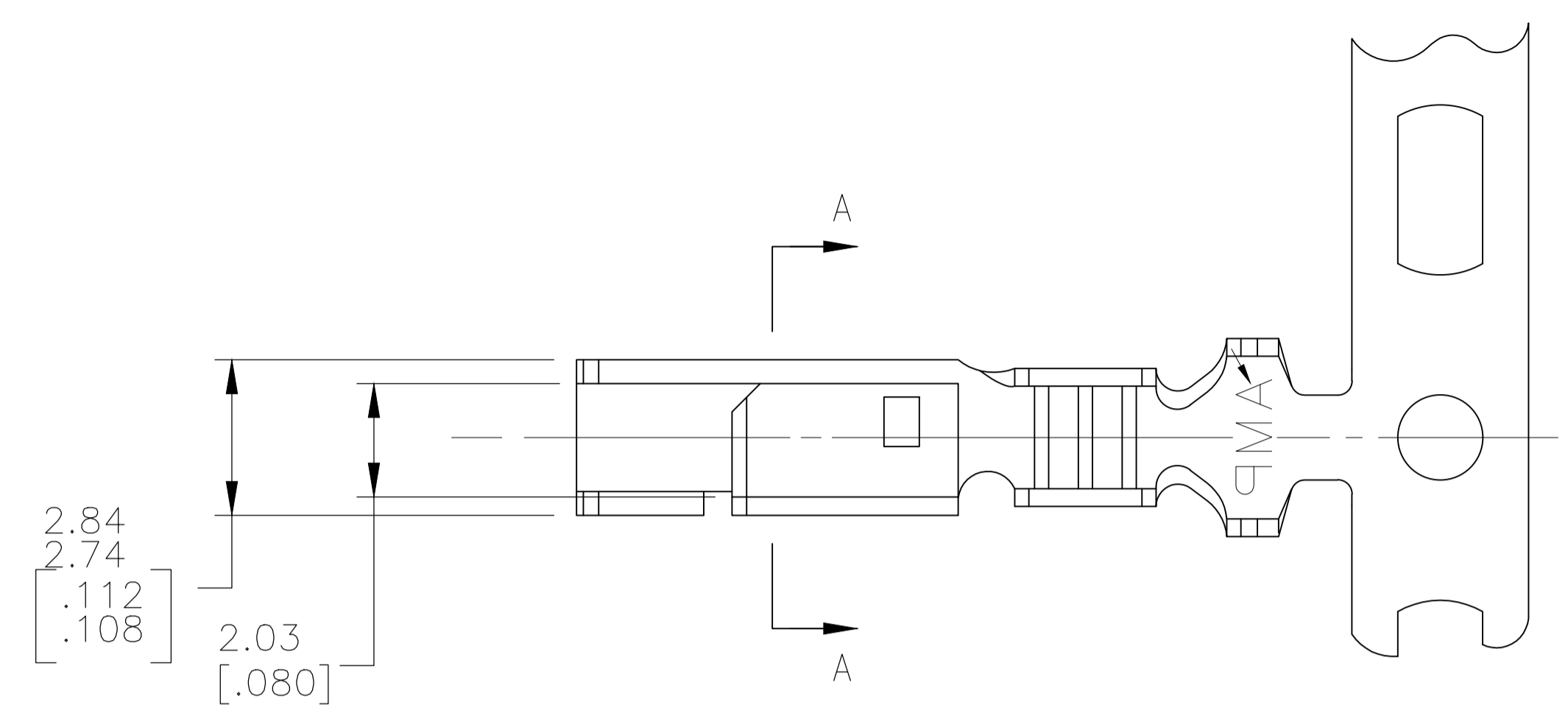
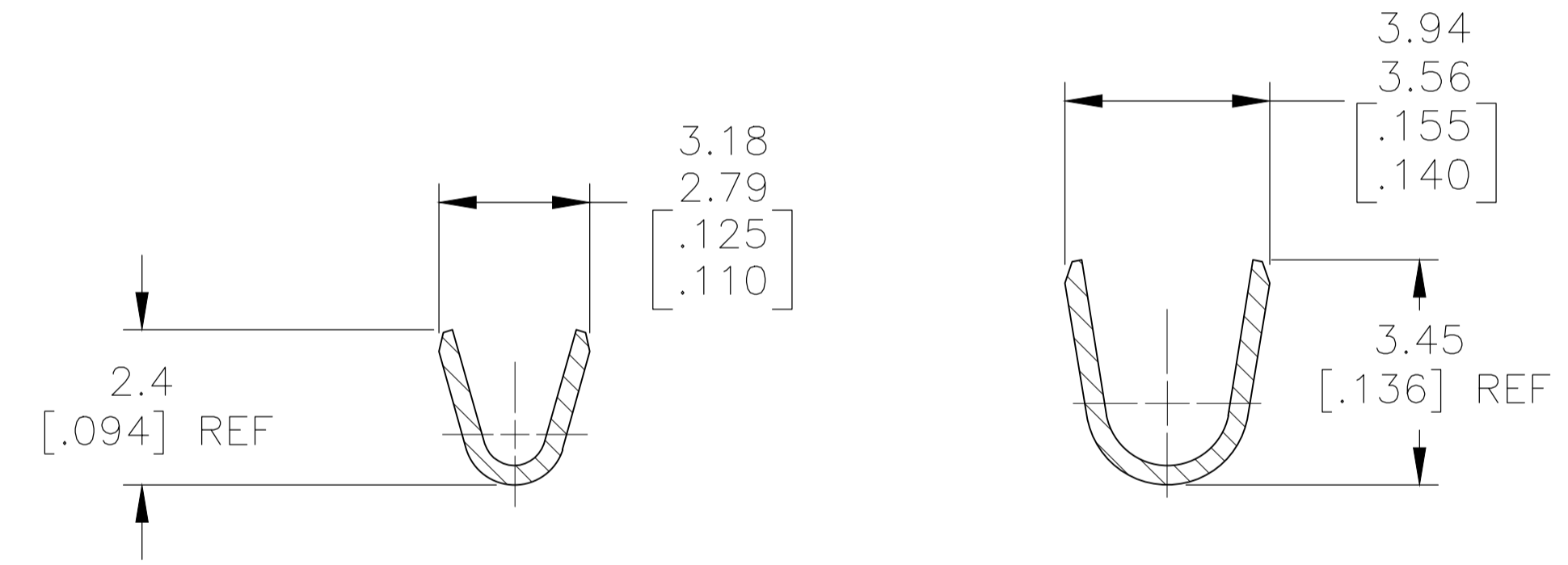
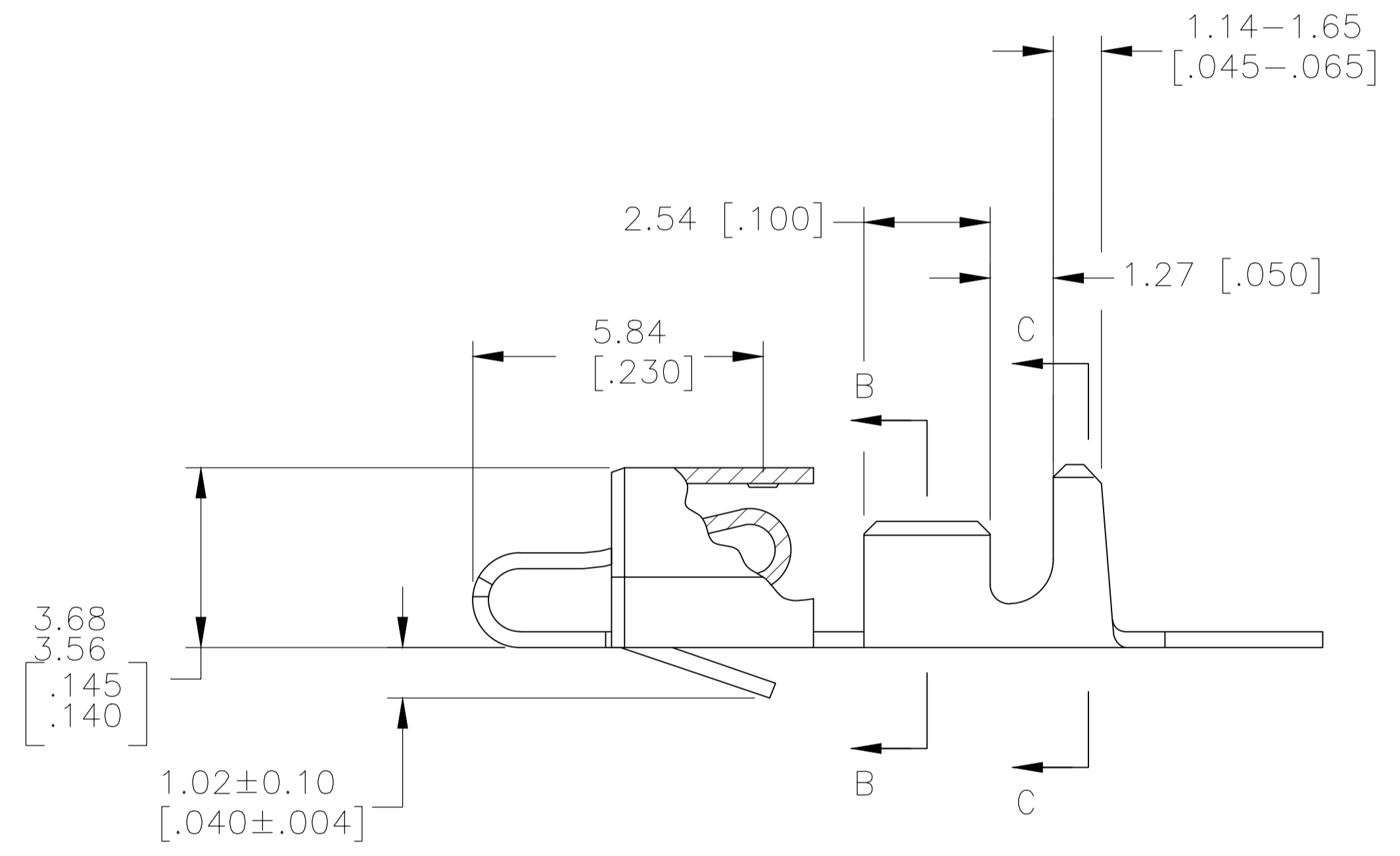


REVISIONS				
REV	DATE	DESCRIPTION	BY	APPD
D1	22APR2020	REVISED PER ECR-20-005246	BDA	SW

- INSULATION RANGE: 1.09-2.79 [.043-.110]
 WIRE RANGE: 0.2-0.9 mm (24-18 AWG).
- 0.00203 [.000080] MIN BRIGHT TIN-LEAD OVER
 0.00127 [.000050] MIN NICKEL.
- DIMENSIONS IN BRACKETS ARE IN INCHES.
- THIS IS A RESTRICTED PRODUCT.
- THIS PRODUCT CONTAINS A CUSTOMER SPECIFIED LUBRICANT. TYCO ELECTRONICS HAS NOT EVALUATED THIS LUBE FOR USE WITH THIS CONTACT. THE CUSTOMER ASSUMES ALL RESPONSIBILITY FOR EVALUATING AND APPROVING THIS LUBRICANT IN THEIR APPLICATION.
- 0.00203 [.000080] MIN MATTE TIN OVER
 0.00127 [.000050] MIN NICKEL.
- OBsolete PARTS



SECTION A-A
 ROTATED 90° CCW



⚠	3-647449-1
⚠	647449-1
FINISH	PART NO

THIS DRAWING IS A CONTROLLED DOCUMENT.

DIMENSIONS: INCHES	TOLERANCES UNLESS OTHERWISE SPECIFIED:	DIN L. McEACHIN 24-AUG-2000	APVD J. ELLIS 25-AUG-2000
0 PLC ± -	1 PLC ± -	2 PLC ± -	3 PLC ± .005
4 PLC ± -	ANGLES ± -	NAME: SL-156, HOODED RECEPTACLE CONTACT, SPECIAL	
MATERIAL	FINISH	SIZE: A1	CAGE CODE: 00779
CUSTOMER DRAWING		DRAWING NO: 647449	RESTRICTED TO: 1

SCALE: 10:1 SHEET 1 OF 1 REV D1

X-ON Electronics

Largest Supplier of Electrical and Electronic Components

Click to view similar products for [Headers & Wire Housings](#) category:

Click to view products by [TE Connectivity](#) manufacturer:

Other Similar products are found below :

[892-18-020-10-001101](#) [58102-G61-06LF](#) [582553-1](#) [0009485154](#) [009176003701906](#) [0050291907](#) [LY20-4P-DT1-P1E-BR](#) [02.125.8002.8](#)
[609-3404](#) [61062-3](#) [61082-181009](#) [622-3653LF](#) [63453-116](#) [636-1030](#) [636-1427](#) [636-3427](#) [636-4007](#) [641938-9](#) [641991-4](#) [644827-2](#) [65817-](#)
[010LF](#) [65817-015LF](#) [65863-015LF](#) [66207-023LF](#) [67095-007LF](#) [67601157](#) [68645-018](#) [68648-049](#) [70.362.1628.0](#) [70-4210](#) [70-4226B](#) [70-](#)
[4853B](#) [707-5020](#) [707-5028](#) [71.350.2428.0](#) [71918-208LF](#) [71961-016LF](#) [733-134](#) [733-162](#) [754199-000](#) [760-3052](#) [787-8014-00](#) [79531-3000](#)
[FCN-360C032-B](#) [FCN-367T-T012/H](#) [FCN-723D010/2](#) [80.063.4001.1](#) [800-90-001-10-001000](#) [800-90-010-10-002000](#) [801-43-002-10-013000](#)