

4

3

2

1

THIS DRAWING IS UNPUBLISHED.

RELEASED FOR PUBLICATION

,1997 .

© COPYRIGHT 1997

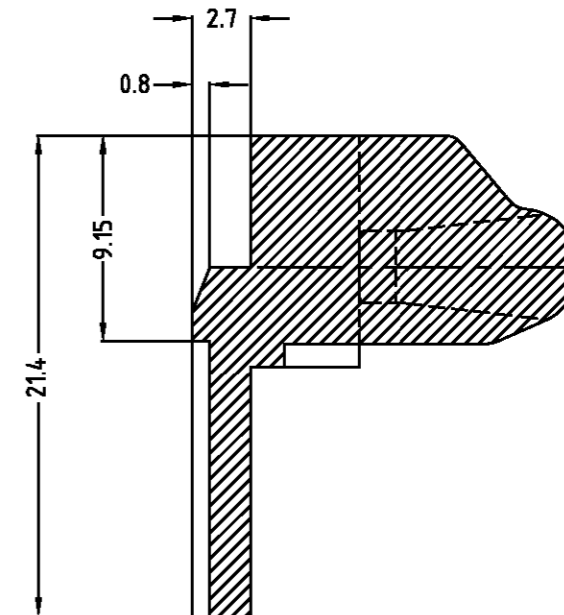
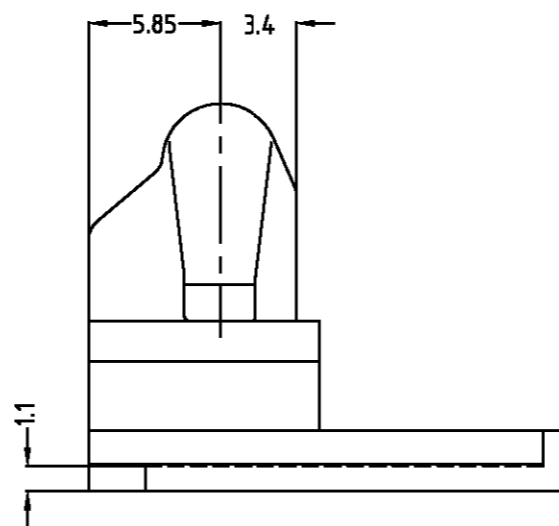
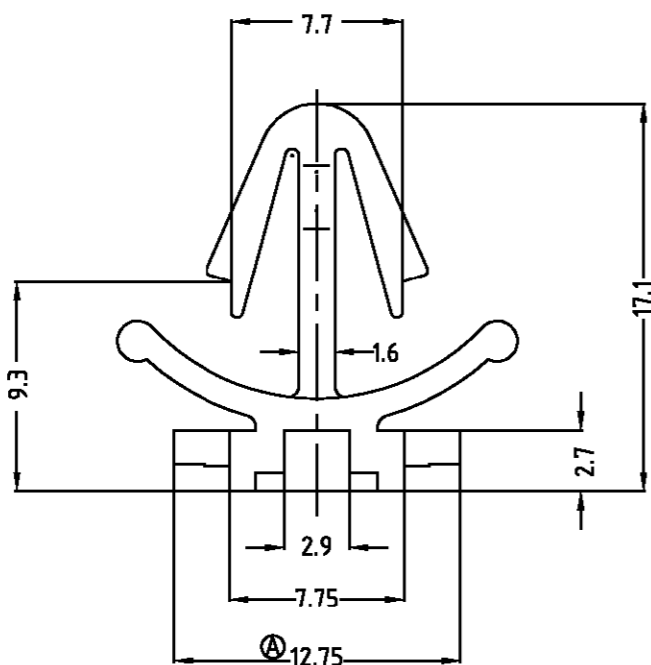
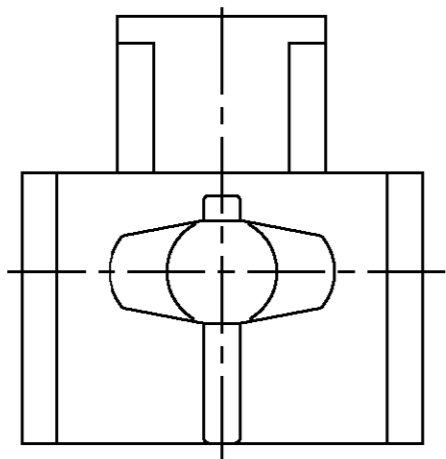
BY AMP INCORPORATED. ALL RIGHTS RESERVED.

LOC  
DS

DIST

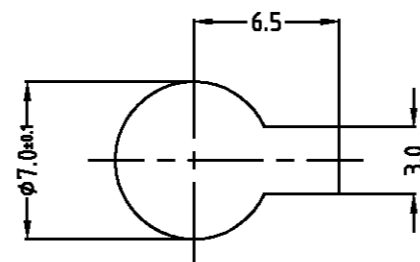
REVISIONS

P	LTR	DESCRIPTION	DATE	DWN	APVD
	A	REVISED ECN(FC00-0107-02)	10,JUL,02	JW	CS



PANEL HOLE SIZE

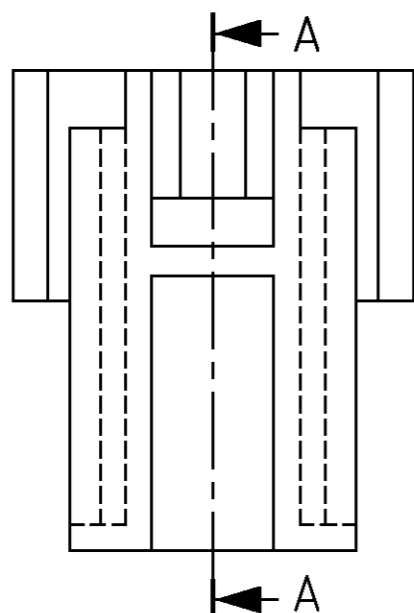
A-A



PANEL THICKNESS : 2.5 ~ 3.5mm

NOTE.

△	MATERIAL : NYLON 66
2.	COLOR
BLACK	368036-1
COLOR	PART NO.



THIS DRAWING IS CONTROLLED DOCUMENT FOR AMP INCORPORATED. IT IS SUBJECT TO CHANGE AND THE CONTROLLING ENGINEERING ORGANIZATION SHOULD BE CONTACTED FOR THE LATEST REVISION.		DWN JW JUNG			AMP KOREA. kyungsan, korea	
DIMENSIONS: mm		CHK BM JANG			NAME	
TOLERANCES UNLESS OTHERWISE SPECIFIED: 0 <XX<10 ± 0.2 10<XX<30 ± 0.25 30<XX ± 0.3 ANGLES ± 3°		APVD CS LEE	CLIP HSG FOR .070&EJ Conn.(φ7 PANEL)		SIZE	DRAWING NO
3rd ANGLE PROJECTION		PRODUCT SPEC ---	A3		CAGE CODE	00779
MATERIAL		APPLICATION SPEC ---	WEIGHT ---		DRAWING NO	
△ SEE NOTE		FINISH	SCALE 3:1		SHEET 1 OF 1	REV A

## X-ON Electronics

Largest Supplier of Electrical and Electronic Components

*Click to view similar products for [Automotive Connectors](#) category:*

*Click to view products by [TE Connectivity](#) manufacturer:*

Other Similar products are found below :

[003-018-000](#) [60403001](#) [60993906-B](#) [M902-2131](#) [M902-2161](#) [M902-2344](#) [72.330.1035.1](#) [73.353.4028.0](#) [F119300-B](#) [F166900](#) [F258300-B](#)  
[F358300-B](#) [F407400](#) [F444110](#) [F487000](#) [F509500B-B](#) [827153-1](#) [8N1515-32-24P](#) [9-1326729-8](#) [925474-1](#) [928905-1](#) [964562-4](#) [968782-1](#)  
[GT17SA-8DS-HU](#) [98891-1012](#) [98947-1016](#) [12004147](#) [12004475-L](#) [12010290](#) [12010309-B](#) [12015454](#) [12020219-B](#) [12041318-B](#) [12052225-](#)  
[L](#) [12052466](#) [12064869](#) [12004327-B](#) [12015308](#) [12015384](#) [12015909](#) [1-21030-1](#) [12041254](#) [12041318](#) [12047946-B](#) [12047957](#) [12047957-L](#)  
[12059473](#) [12066261](#) [12110546](#) [12110546-B](#)