

4

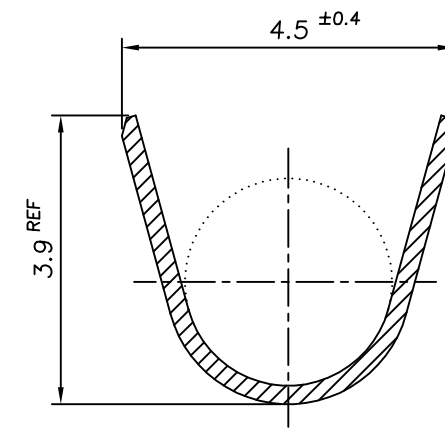
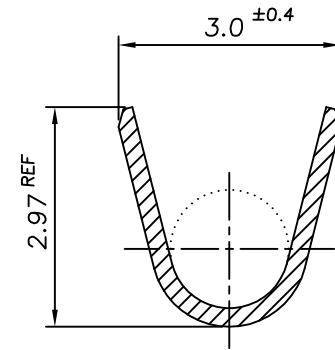
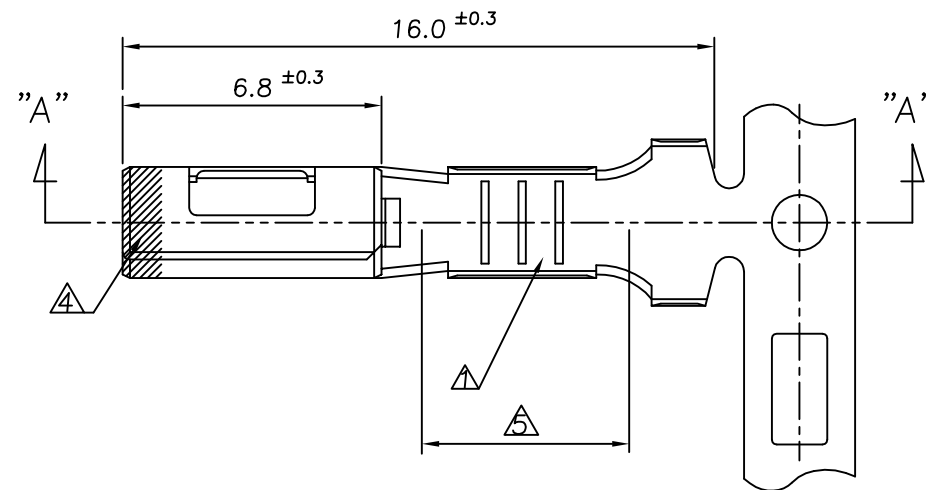
3

2

1

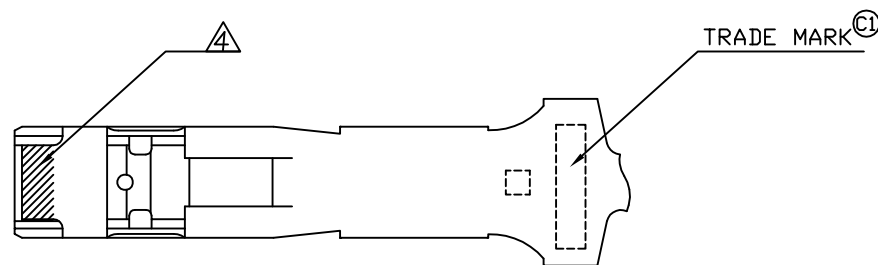
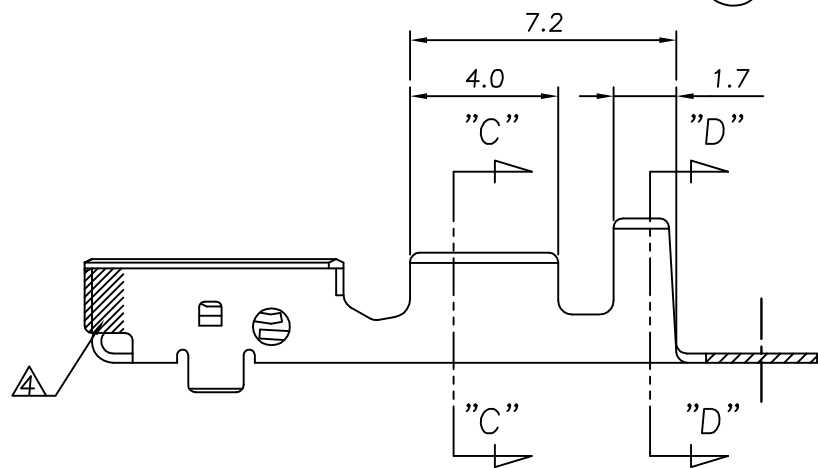
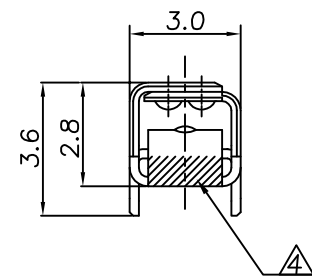
THIS DRAWING IS UNPUBLISHED. RELEASED FOR PUBLICATION  
COPYRIGHT BY TYCO ELECTRONICS CORPORATION, ALL RIGHTS RESERVED.

LOC	DIST	REVISIONS					
		P	LTR	DESCRIPTION	DATE	DWN	APVD
-	-		C1	REVISED (ECR-13-003728)	28.FEB.'13	KT	HG



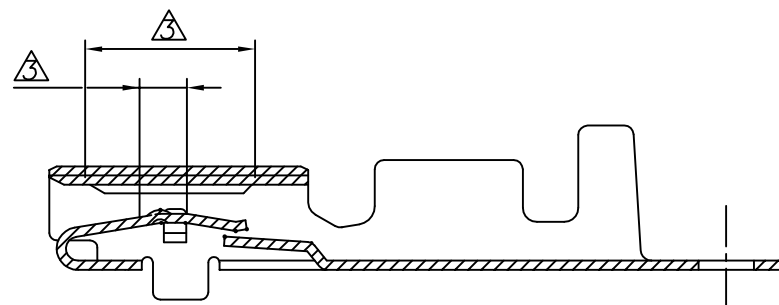
SECTION "C-C"  
Scale 10/1

SECTION "D-D"  
Scale 10/1



NOTE

- ▲ THREE SERRATIONS CENTERED IN WIRE BARREL.
- 2. APPLICABLE WIRE RANGE; CAVUS 0.85~AVS 1.2 5SQMM
- ▲ GOLD PLATING AREA (CONTACT SIDE ONLY)
- ▲ GOLD PLATING FOR DISCERNMENT
- ▲ TIN PLATING AREA



SECTION "A-A"

▲▲▲ SELECTIVE-GOLD	CuNiSi, 0.25 Thk	1-368084-1
PRE-TINNED	CuNiSi, 0.25 Thk	368084-1
FINISH	MATERIAL	PART NUMBER

<small>THIS DRAWING IS A CONTROLLED DOCUMENT FOR TYCO ELECTRONICS CORPORATION IT IS SUBJECT TO CHANGE AND THE CONTROLLING ENGINEERING ORGANIZATION SHOULD BE CONTACTED FOR THE LATEST REVISION.</small>		DWN KT JUNG CHK KT LIM APVD HG CHD PRODUCT SPEC 108-61021 APPLICATION SPEC 114-61004 WEIGHT A3 00779 C=368084 CUSTOMER DRAWING		TE Connectivity NAME 090 II MLC RECEP. SIZE A3 CAGE CODE 00779 DRAWING NO C=368084 RESTRICTED TO -	
DIMENSIONS: MM	TOLERANCES UNLESS OTHERWISE SPECIFIED: 0 <XX<10 ± 0.2 10<XX<30 ± 0.25 ANGLES ± 3°	SCALE 5/1		SHEET 1 OF 1	
MATERIAL SEE TABLE	FINISH SEE TABLE	REV C1			

## X-ON Electronics

Largest Supplier of Electrical and Electronic Components

*Click to view similar products for [Terminals](#) category:*

*Click to view products by [TE Connectivity](#) manufacturer:*

Other Similar products are found below :

[HT-13-10](#) [71M-250-32-NB](#) [01-2065-1-0216](#) [00581P0075](#) [M10-10RX](#) [M10BCK](#) [60205-1](#) [604200-1](#) [60598-1-CUT-TAPE](#) [60617-1-C](#) [60873-1](#) [M14-516R/SK](#) [M14-6RSX](#) [M18-10FLX](#) [M18-8FBX](#) [M18-8R/LX](#) [M18BCK](#) [61314-6-C](#) [61-S](#) [61-SN-A](#) [62149-1](#) [62-NBM-A](#) [63-S](#) [640179-1](#) [640917-2-CUT-TAPE](#) [6501550002](#) [66107-2-C](#) [66107-4-C](#) [696683-1](#) [696834-1](#) [696861-1](#) [696931-1](#) [696999-1](#) [M8-516RK](#) [M86700006](#) [MA250DMFMX-A](#) [701-2007](#) [701-2307](#) [701-7761-03](#) [70F-110-32-PB](#) [718-N-A](#) [71M-187-20-NBL](#) [71M-250-32-NBL](#) [72F-187-20-NBL](#) [72M-250-32-NBL](#) [7310](#) [73F-250-32](#) [73F-250-32-NBL](#) [73F-250-32-NL](#) [F-1M](#)