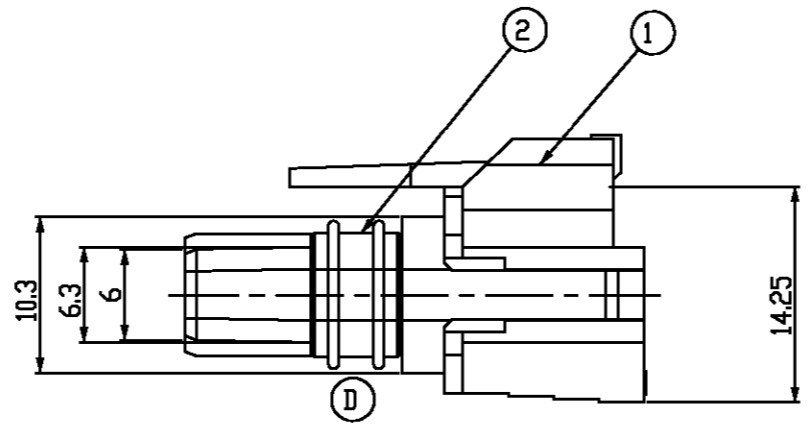
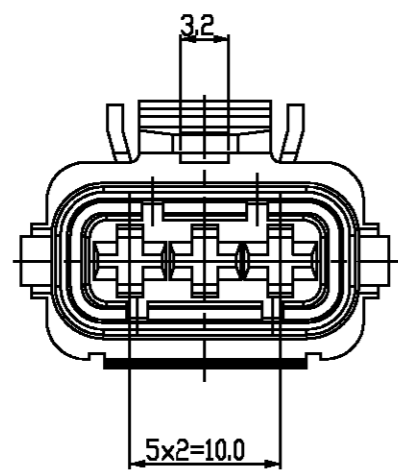
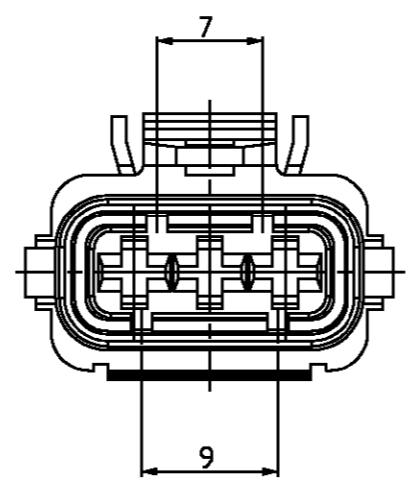
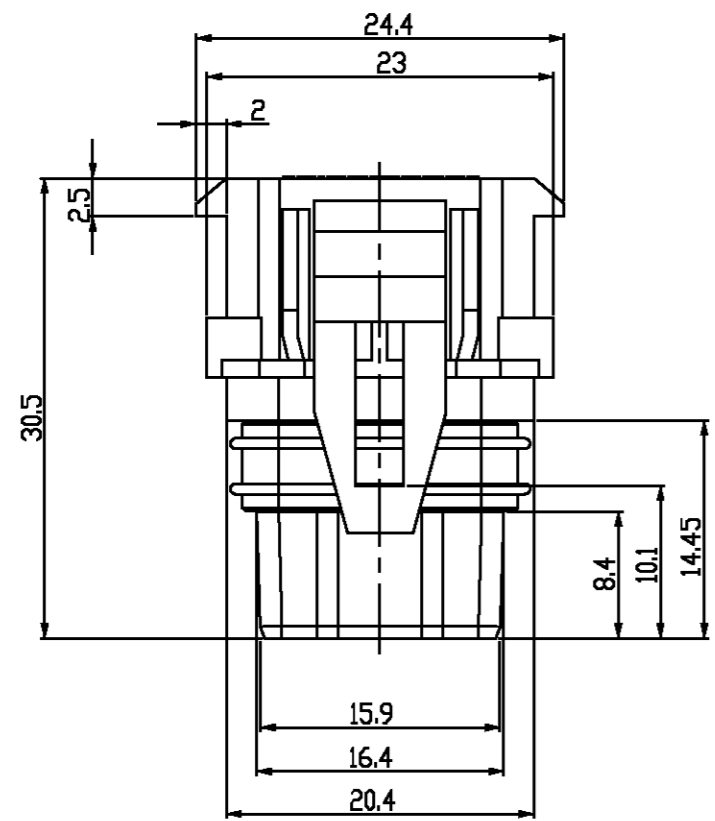


THIS DRAWING IS UNPUBLISHED. RELEASED FOR PUBLICATION

© COPYRIGHT BY TYCO ELECTRONICS CORPORATION. ALL RIGHTS RESERVED.

LOC	DIST	REVISIONS					
		P	LTR	DESCRIPTION	DATE	DWN	APVD
DS		A		REVISED(RD97-044)	03SEP'97	YJ	JK
		B		REVISED (FC00-0086-04)	28MAY'04	YJ	JK
		C		REVISED (ECR-06-005229)	03MAR'06	GC	JK
		D		REVISED(ECR-07-011015)	11MAY'07	IS	JK



NOTE  
 1.APPLICABLE PRODUCT SPEC: 108-61025  
 2.APPLICABLE CONTACT P/N

	P/N	DESCRIPTION	WIRE SIZE
TML	929941	JPT CONTACT	0.3mm <sup>2</sup>
	929939	JPT CONTACT	0.5-1.0mm <sup>2</sup>
	929937	JPT CONTACT	1.0-2.5mm <sup>2</sup>
	927772-3	JPT CONTACT	0.3mm <sup>2</sup>
	927770-3	JPT CONTACT	0.5-1.0mm <sup>2</sup>
	927766-3	JPT CONTACT	1.0-2.5mm <sup>2</sup>

NO	COLOR	MATERIAL	DESCRIPTION	P/N	Q'TY
2	ORANGE	SILICONE	INNER SEAL	0-368839-1	1
1	BLACK	PA66-GF15	JPT 3P PLUG HSG	0-368129-1	1

THIS DRAWING IS A CONTROLLED DOCUMENT FOR TYCO ELECTRONICS CORPORATION. IT IS SUBJECT TO CHANGE AND THE CONTROLLING ENGINEERING ORGANIZATION SHOULD BE CONTACTED FOR THE LATEST REVISION.

DIMENSIONS: MM	TOLERANCES UNLESS OTHERWISE SPECIFIED: 0 PLC ±0.3 1 PLC ±0.3 2 PLC ±0.3 3 PLC ±0.3 4 PLC ±0.3 ANGLES ±3
3rd ANGLE PROJECTION	FINISH
SEE NOTE	

DWNIS SHIN  
 CHK YH CHOI  
 APVD JK SONG

**tyco Electronics** Tyco Electronics  
 Kyungsan, Korea

NAME: JUNIOR POWER TIMER 3P FOR FUEL TPS CONNECTOR ASS'Y

SIZE: A3 CAGE CODE: 00779 DRAWING NO: C=368161 RESTRICTED TO: [ ]

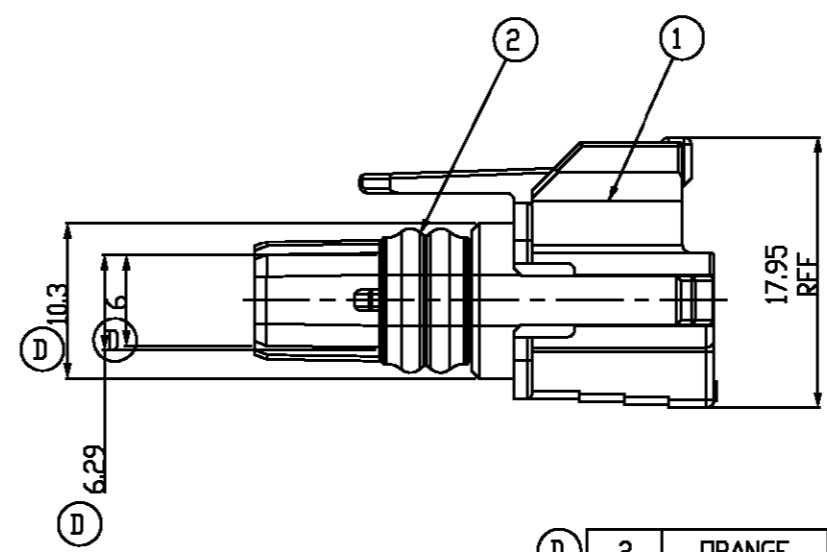
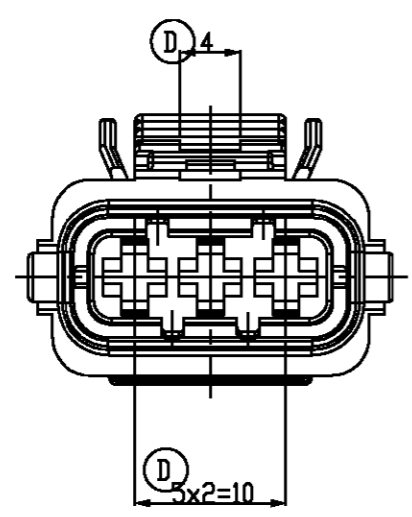
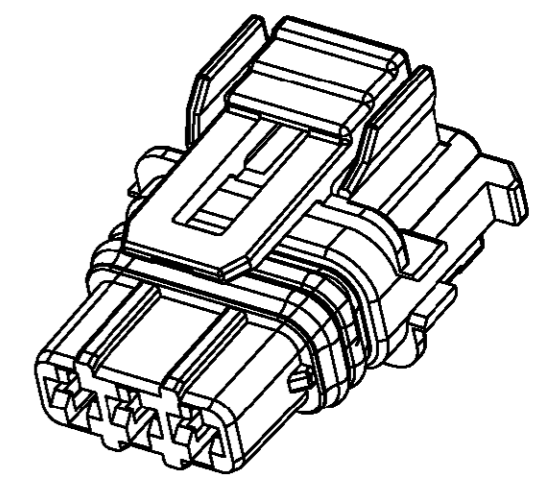
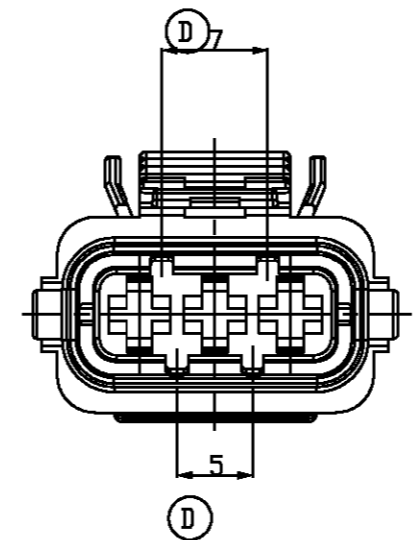
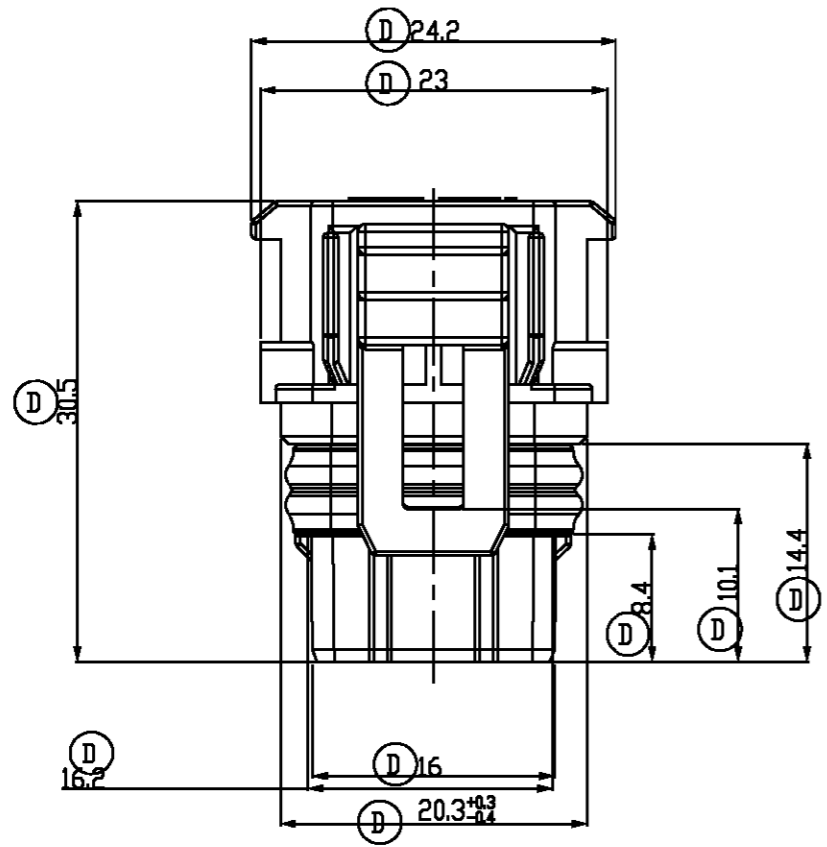
WEIGHT: [ ]

CUSTOMER DRAWING SCALE: 2:1 SHEET: 1 OF 3 REV: D

THIS DRAWING IS UNPUBLISHED. RELEASED FOR PUBLICATION

© COPYRIGHT BY TYCO ELECTRONICS CORPORATION. ALL RIGHTS RESERVED.

LOC	DS	DIST	REVISIONS						
			P	LTR	DESCRIPTION	DATE	DWN	APVD	
					SEE SHEET 1				



NO	COLOR	MATERIAL	DESCRIPTION	P/N	Q'TY	ASSY P/N
2	ORANGE	SILICONE	INNER SEAL	0-368839-2	1	1-368161-3
1	DARK GRAY	PA66-GF15	JPT 3P PLUG HSG	1-1897330-3	1	1-368161-2
1	BLACK	PA66-GF15	JPT 3P PLUG HSG	1-1897330-2	-	1

THIS DRAWING IS A CONTROLLED DOCUMENT FOR TYCO ELECTRONICS CORPORATION. IT IS SUBJECT TO CHANGE AND THE CONTROLLING ENGINEERING ORGANIZATION SHOULD BE CONTACTED FOR THE LATEST REVISION.

DIMENSIONS: MM	TOLERANCES UNLESS OTHERWISE SPECIFIED: 0 PLC ± 1 PLC ± SEE SHEET 1 2 PLC ± 3 PLC ± 4 PLC ± ANGLES ±	FINISH: -	DWN/SHIN	Tyco Electronics Kyungsan, Korea
3RD ANGLE PROJECTION			CHKYM CHOI	
MATERIAL: SEE SHEET 1			APVD/IK SONG	NAME: JUNIOR POWER TIMER 3P FOR FUEL TPS CONNECTOR ASS'Y
			PRODUCT SPEC	SIZE: A3
			APPLICATION SPEC	CAGE CODE: C=368161
			WEIGHT	DRAWING NO: C=368161
			CUSTOMER DRAWING	RESTRICTED TO: D
				SCALE: 1:1
				SHEET: 2 OF 3
				REV: D

THIS DRAWING IS UNPUBLISHED.

RELEASED FOR PUBLICATION

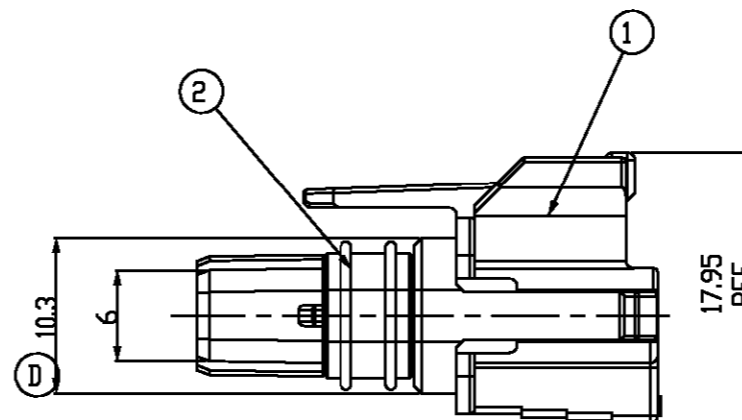
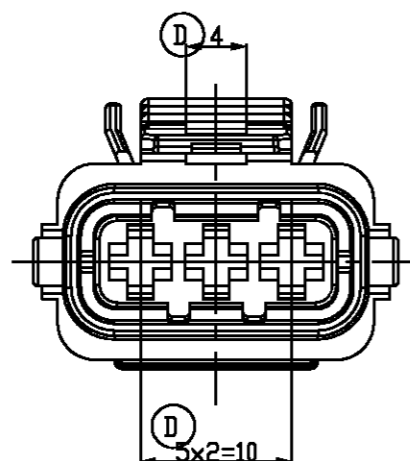
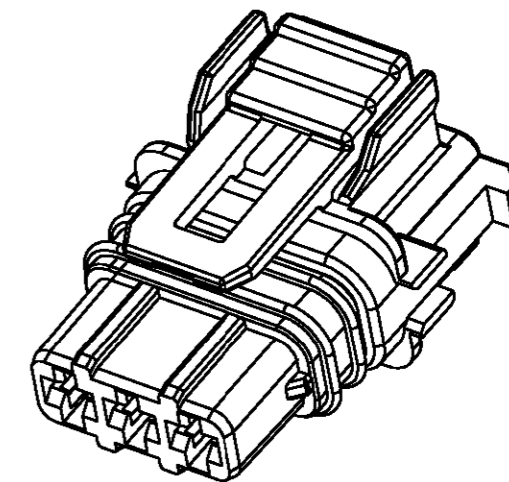
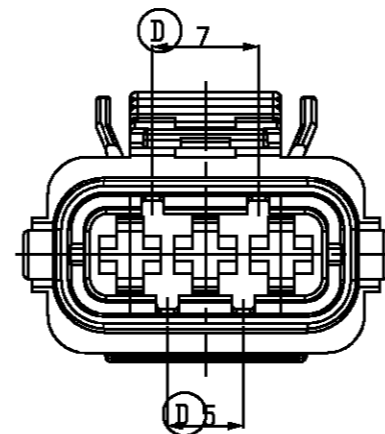
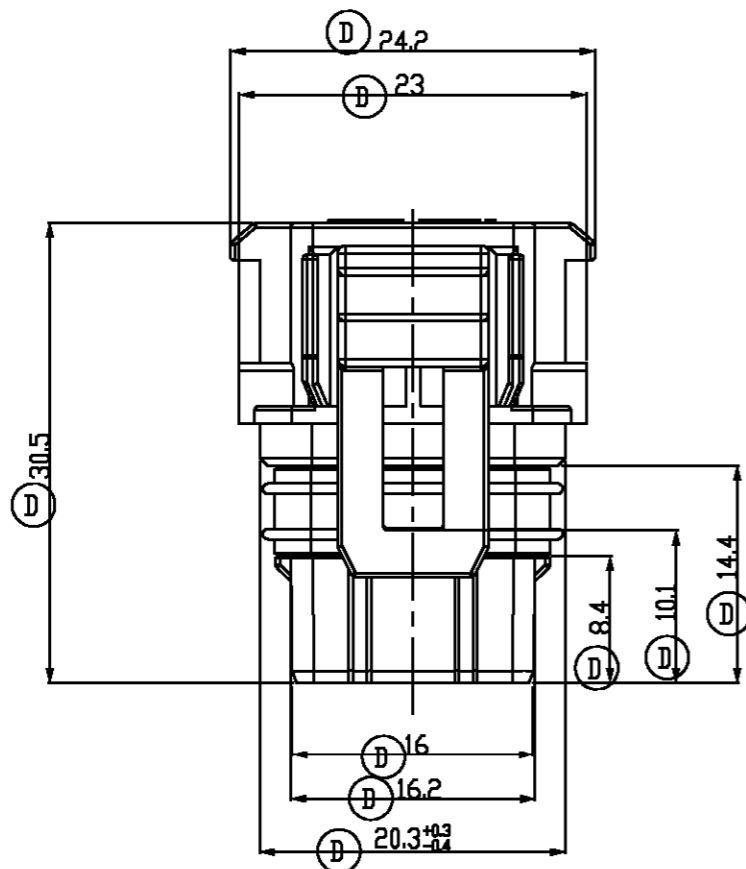
© COPYRIGHT

BY TYCO ELECTRONICS CORPORATION. ALL RIGHTS RESERVED.

LOC DS DIST

REVISIONS

P	LTR	DESCRIPTION	DATE	DWN	APVD
		SEE SHEET 1			



NO	COLOR	MATERIAL	DESCRIPTION	P/N	Q'TY
2	BLUE	SILICONE	INNER SEAL	1-368839-1	1 1
1	DARK GRAY	PA66-GF15	JPT 3P PLUG HSG	1-1897330-3	1 -
1	BLACK	PA66-GF15	JPT 3P PLUG HSG	1-1897330-2	- 1

ASSY P/N	REV
2-368161-3	A
2-368161-2	A

THIS DRAWING IS A CONTROLLED DOCUMENT FOR TYCO ELECTRONICS CORPORATION. IT IS SUBJECT TO CHANGE AND THE CONTROLLING ENGINEERING ORGANIZATION SHOULD BE CONTACTED FOR THE LATEST REVISION.

DIMENSIONS: MM	TOLERANCES UNLESS OTHERWISE SPECIFIED: 0 PLC ± 1 PLC ± SEE SHEET 1 2 PLC ± 3 PLC ± 4 PLC ± ANGLES ±	APV/DK SONG	Tyco Electronics Kyungsan, Korea
3RD ANGLE PROJECTION	FINISH	PRODUCT SPEC	
MATERIAL: SEE SHEET 1		APPLICATION SPEC	NAME: JUNIOR POWER TIMER 3P FOR FUEL TPS CONNECTOR ASS'Y
		WEIGHT	SIZE: A3
		CUSTOMER DRAWING	CAGE CODE: C=368161
			DRAWING NO: C=368161
			RESTRICTED TO:
			SCALE: 1:1
			SHEET: 3 OF 3
			REV: D

## X-ON Electronics

Largest Supplier of Electrical and Electronic Components

*Click to view similar products for [Automotive Connectors](#) category:*

*Click to view products by [TE Connectivity](#) manufacturer:*

Other Similar products are found below :

[003-018-000](#) [60403001](#) [60993906-B](#) [M902-2131](#) [M902-2161](#) [M902-2344](#) [72.330.1035.1](#) [73.353.4028.0](#) [F119300-B](#) [F166900](#) [F258300-B](#)  
[F358300-B](#) [F407400](#) [F444110](#) [F487000](#) [F509500B-B](#) [827153-1](#) [8N1515-32-24P](#) [9-1326729-8](#) [925474-1](#) [928905-1](#) [964562-4](#) [968782-1](#)  
[GT17SA-8DS-HU](#) [98891-1012](#) [98947-1016](#) [12004147](#) [12004475-L](#) [12010290](#) [12015454](#) [12020219-B](#) [12041318-B](#) [12052225-L](#) [12052466](#)  
[12064869](#) [12004327-B](#) [12015308](#) [12015384](#) [12015909](#) [1-21030-1](#) [12041254](#) [12041318](#) [12047946-B](#) [12047957](#) [12047957-L](#) [12059473](#)  
[12066261](#) [12110546](#) [12110546-B](#) [12131792](#)