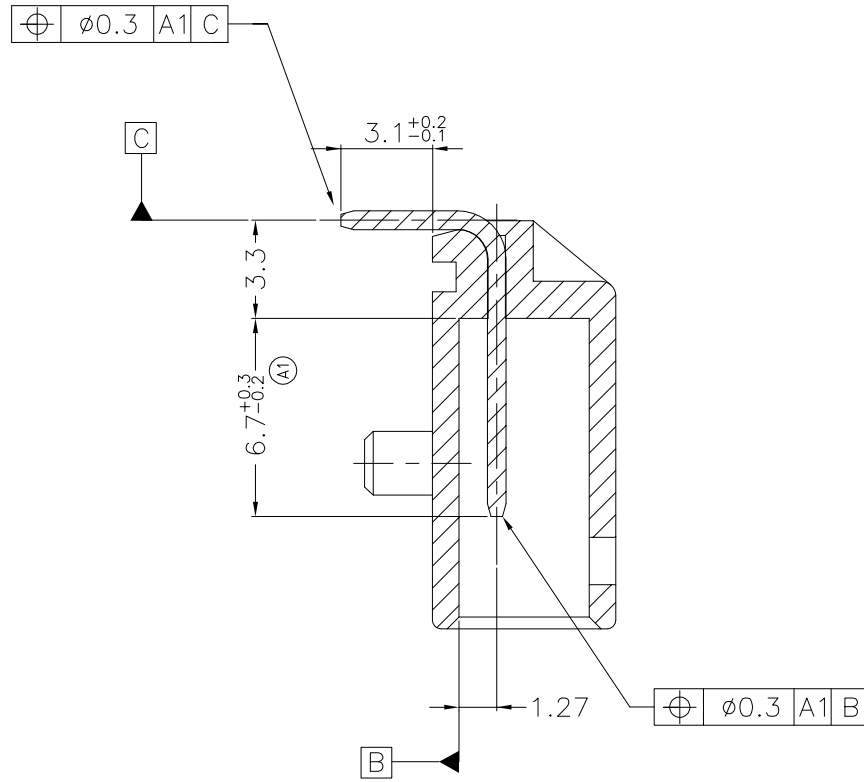
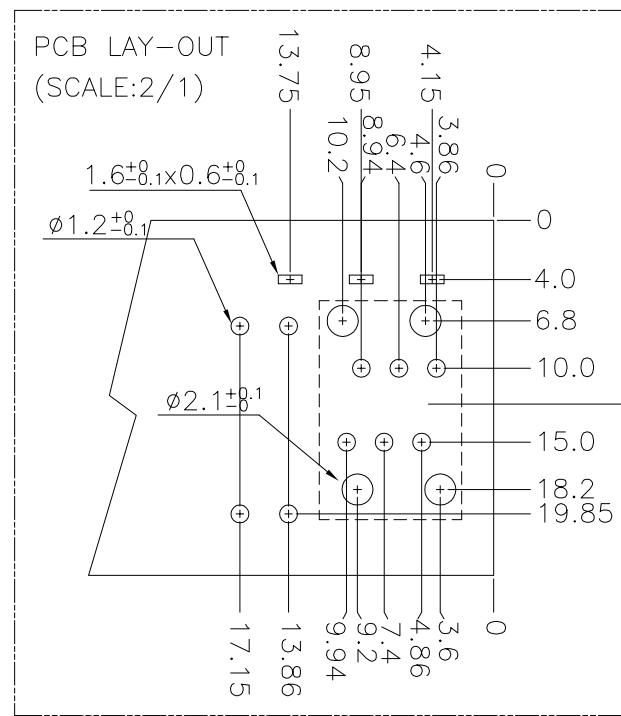
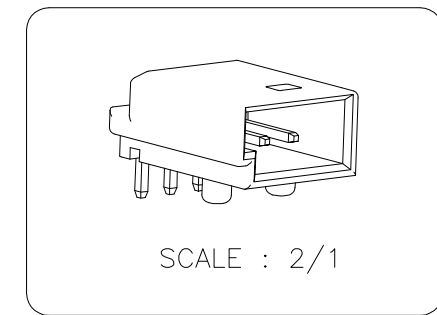
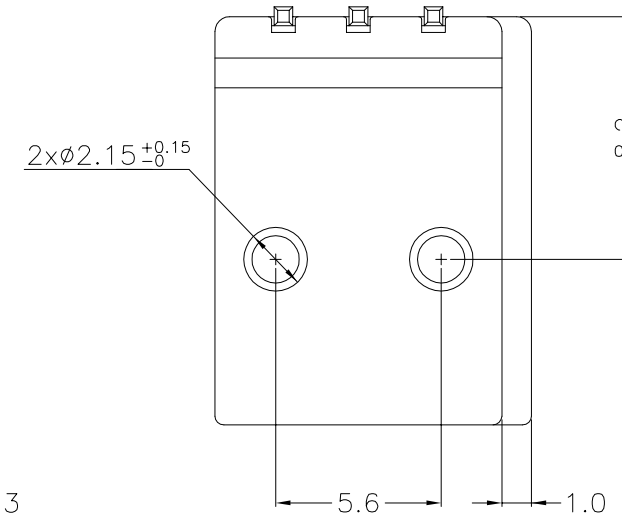
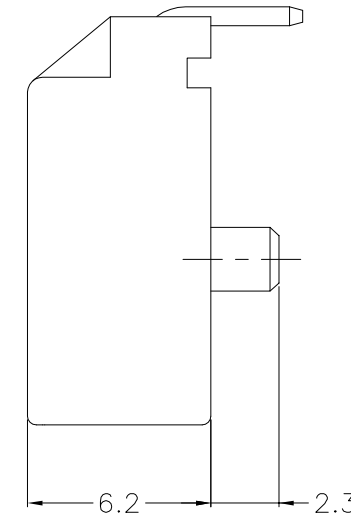
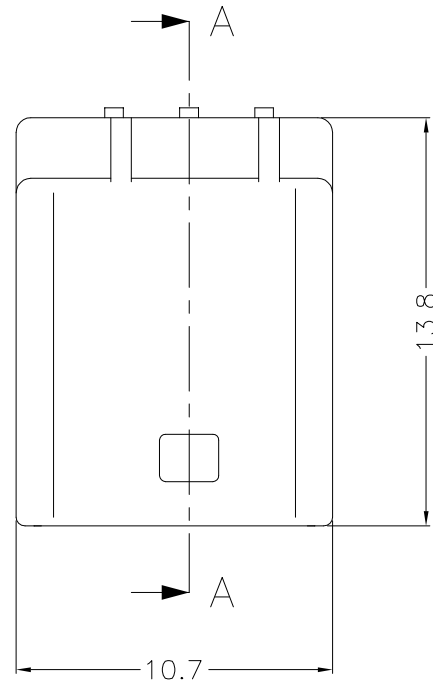


REVISIONS

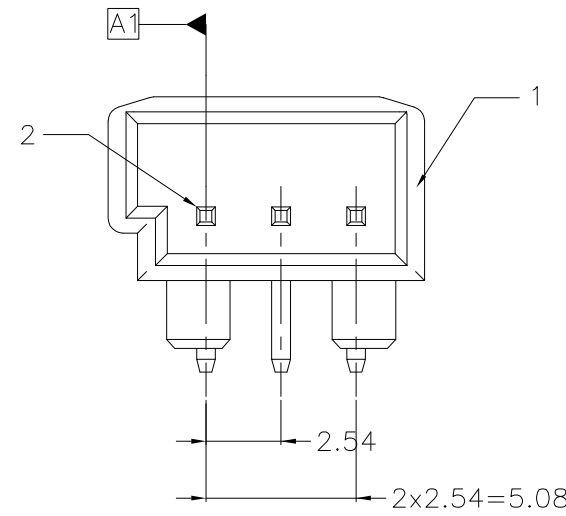
P	LTR	DESCRIPTION	DATE	DWN	APVD
	O	RELEASED (FC00-0101-99)	'99 8/SEP	YD	CS
	A	REVISED (ECR-09-023887)	02/NOV/'09	YM	HG
	A1	REVISED (ECR-15-001332)	28.JAN.'15	JM	HG



SECTION A-A



PIN HDR ASS'Y
INSERTION AREA



NOTE

- PULL-OUT FORCE OF THE CONTACT $\geq 25N$ WHEN $V=25mm/Min$
- BE MATED WITH PLUG HSG (P/NO: 965444-1) SMOOTHLY

ITEM	PART NO.	DESCRIPTION	MATERIAL	COLOR/FINISH	Q'TY
3	368314-1	063 CONTACT PIN FOR HLLD	BRONZE	TIN	3
2	368313-2	PIN HEADER HSG, 3POS, MQS	PBT-GF15	NATURE	1
1	368313-1	PIN HEADER HSG, 3POS, MQS	PBT-GF15	BLACK	1

<p>THIS DRAWING IS A CONTROLLED DOCUMENT FOR AMP INCORPORATED. IT IS SUBJECT TO CHANGE AND THE CONTROLLING ENGINEERING ORGANIZATION SHOULD BE CONTACTED FOR THE LATEST REVISION.</p>		<p>DWN JM JEON</p> <p>CHK JW JUNG</p> <p>APVD HG CHO</p> <p>PRODUCT SPEC 108-61038</p> <p>APPLICATION SPEC 114-18021</p> <p>WEIGHT 0.74g</p>	
<p>DIMENSIONS: MM</p> <p>3rd ANGLE PROJECTION</p>	<p>TOLERANCES UNLESS OTHERWISE SPECIFIED:</p> <p>0<XX<10 ± 0.2</p> <p>10<XX<30 ± 0.25</p> <p>30<XX<100 ± 0.3</p> <p>ANGLES ± 3°</p>	<p>FINISH</p>	

<p>TE Connectivity</p> <p>TE</p>		
<p>NAME PIN HEADER ASS'Y, 3POS, MQS</p>		
<p>SIZE A3</p>	<p>CAGE CODE 00779</p>	<p>DRAWING NO 3 6 8 3 1 2</p>
<p>SCALE 4/1</p>	<p>SHEET 1 OF 1</p>	<p>REV A1</p>

X-ON Electronics

Largest Supplier of Electrical and Electronic Components

Click to view similar products for [Automotive Connectors](#) category:

Click to view products by [TE Connectivity](#) manufacturer:

Other Similar products are found below :

[003-018-000](#) [60993906-B](#) [M902-2131](#) [M902-2161](#) [M902-2344](#) [72.330.1035.1](#) [73.353.4028.0](#) [F166900](#) [F358300-B](#) [F407400](#) [776880-1](#)
[827153-1](#) [8N1515-32-24P](#) [9-1326729-8](#) [925474-1](#) [928905-1](#) [964562-4](#) [968782-1](#) [98891-1012](#) [12004475-L](#) [12020308](#) [12041318-B](#)
[12052466](#) [12064869](#) [12015909](#) [1-21030-1](#) [12041254](#) [12041318](#) [12047946-B](#) [12110546-B](#) [12131792](#) [12084688](#) [12092346](#) [HD34-18-14PT](#)
[HD46-24-23SN-059](#) [HDB36-24-16PN-059](#) [HDP26-24-9SE-L015](#) [12185280](#) [12185550](#) [12336-12](#) [12191172-B](#) [12S](#) [13545280](#) [13577943](#)
[13681974](#) [13737722-B](#) [13830674](#) [13832576](#) [13849772](#) [13542772](#)