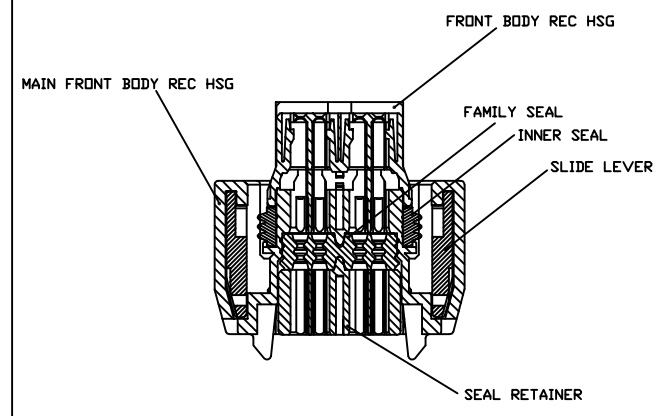
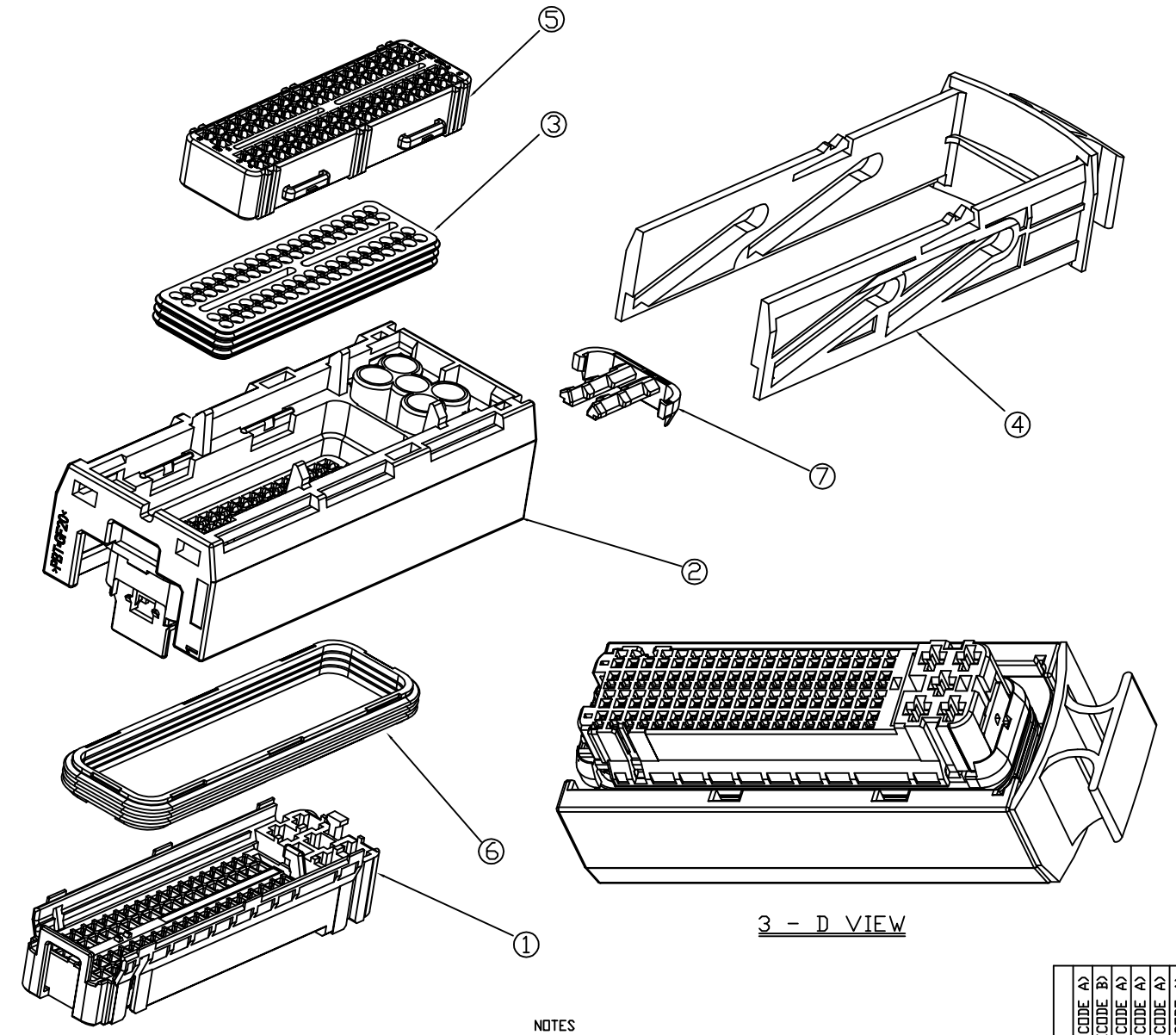
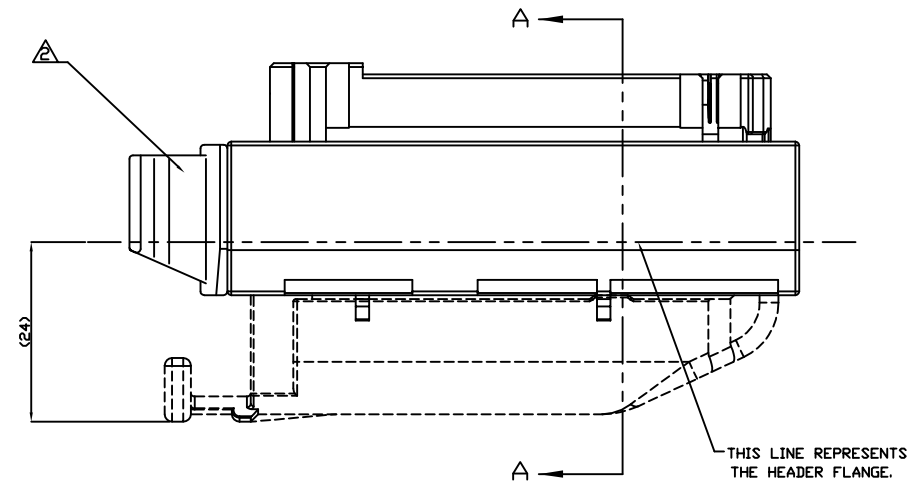
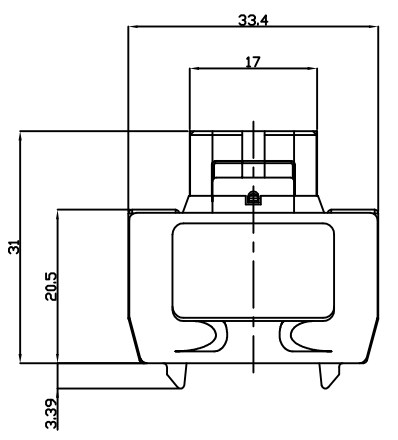
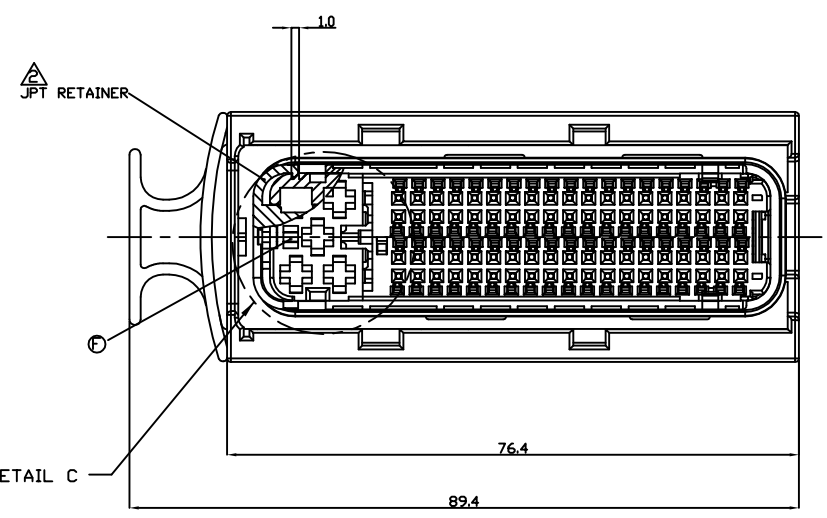


THIS DRAWING IS UNPUBLISHED. RELEASED FOR PUBLICATION. ALL RIGHTS RESERVED. COPYRIGHT

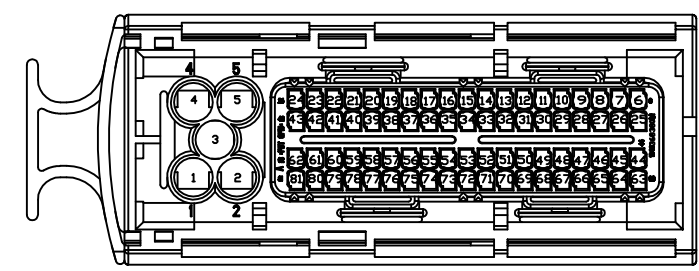
REVISIONS					
P	LTR	DESCRIPTION	DATE	DWN	APVD
F		REVISED(KFC00-0008-03)	JAN,23,'03	HS	CS
G		REVISED(KECR-07-008979)	APR,18,'07	YH	JK
G1		REVISED(KECR-17-012909)	SEP,04,'17	YH	YJ



SECT. A-A

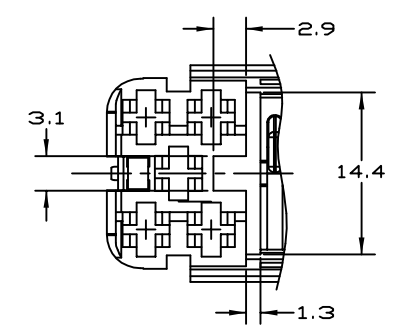


3 - D VIEW

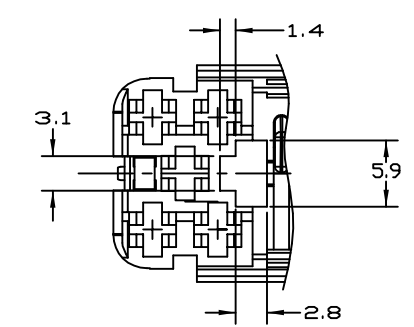


CIRCUIT NUMBER LAYOUT
SCALE(2/1)

368376-4	6,8,10,21,25~28,33,34,41,42, 46~49,53,61,65~68,70,72,74,80,81.	ⒶⓈⓈⓈⓈ
368376-3	14~16,20,30,32~35,37,39, 45~47,53~59,72~75,77.	ⒶⓈ
368376-2	7,9,10,14~16,20,27,30,32~35,37, 39,45~47,52~59,67,68,72~75,77.	Ⓐ
368376-1	-	
PART NUMBER	BLANKED CAVITIES	



Ⓢ DETAIL C
SCALE 3/1



NOTES

- GENERAL TOLERANCE IS ±0.5
- CONDITION OF DELIVERY : SLIDE LEVER IN CLOSED POSITION, JPT RETAINER IN OPEN POSITION.
- SUITABLE FOR WIRE SIZE RANGE:

CONTACT	MQS	JPT
CIRCUIT NO.	6 - 81	1 - 5
WIRE SIZE(mm ²)	0.5 - 0.75	0.5 - 2.5

- APPLIED COVER HSG P/N: 368389.
- APPLIED RECEPTACLE CONTACT P/N:

CONTACT	MQS	JPT
Part NO.	968220	968221 964286 964273
WIRE SIZE(mm ²)	0.5	0.75 0.5 - 1.0 1.0 - 2.5

- APPLIED HEADER ASSEMBLY P/N: 368146.
- APPLIED MQS RETAINER HSG P/N: 368382.

NO.	Part NO.	DESCRIPTION	MATERIAL	COLOR	Q'TY
7	368381-1	JPT RETAINER	PBT-GF30	YELLOW	1 1 1 1 1 1
6	368905-1	INNER SEAL FOR 81P	SILICONE	ORANGE	1 1 1 1 1 1
5	368380-4	SEAL RETAINER FOR 81P	PBT-GF15	BLUE	1
	368380-3			WHITE	1
	368380-2			GRAY	1
	368380-1			BLACK	1
4	368379-1	SLIDE LEVER FOR 81P	PA66-GF35	BLACK	1 1 1 1 1 1
3	368904-1	76P FAMILY SEAL	SILICONE	ORANGE	1 1 1 1 1 1
2	368378-1	MAIN BODY REC. HSG FOR 81P	PBT-GF20	BLACK	1 1 1 1 1 1
1	368377-2	FRONT BODY REC. HSG FOR 81P(CODE B)	PA66-GF15	RED Ⓢ	1
1	368377-1	FRONT BODY REC. HSG FOR 81P(CODE A)	PA66-GF15	BLACK	1 1 1 1 1 1

THIS DRAWING IS A CONTROLLED DOCUMENT. DWG YD LEE
 DIMENSIONS: MM. TOLERANCES UNLESS OTHERWISE SPECIFIED. 3RD ANGLE PROJECTION. FINISH.

APVD YJ YOUNG
 108-61039
 114-18050, 114-18021-1

NAME: 81Pos RECEPTACLE HSG ASSEMBLY
 SIZE: A1
 CAGE CODE: 00779
 DRAWING NO: C-368376
 RESTRICTED TO: G1

CUSTOMER DRAWING. SCALE: 2:1. SHEET: 1 OF 1. REV: G1

X-ON Electronics

Largest Supplier of Electrical and Electronic Components

Click to view similar products for [Automotive Connectors](#) category:

Click to view products by [TE Connectivity](#) manufacturer:

Other Similar products are found below :

[003-018-000](#) [60403001](#) [60993906-B](#) [M902-2131](#) [M902-2161](#) [M902-2344](#) [72.330.1035.1](#) [73.353.4028.0](#) [F119300-B](#) [F166900](#) [F258300-B](#)
[F358300-B](#) [F407400](#) [F444110](#) [F487000](#) [F509500B-B](#) [827153-1](#) [8N1515-32-24P](#) [9-1326729-8](#) [925474-1](#) [928905-1](#) [964562-4](#) [968782-1](#)
[GT17SA-8DS-HU](#) [98891-1012](#) [98947-1016](#) [12004147](#) [12004475-L](#) [12010290](#) [12015454](#) [12020219-B](#) [12041318-B](#) [12052225-L](#) [12052466](#)
[12064869](#) [12004327-B](#) [12015308](#) [12015384](#) [12015909](#) [1-21030-1](#) [12041254](#) [12041318](#) [12047946-B](#) [12047957](#) [12047957-L](#) [12059473](#)
[12066261](#) [12110546](#) [12110546-B](#) [12131792](#)