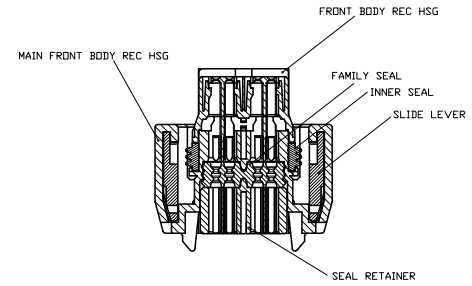
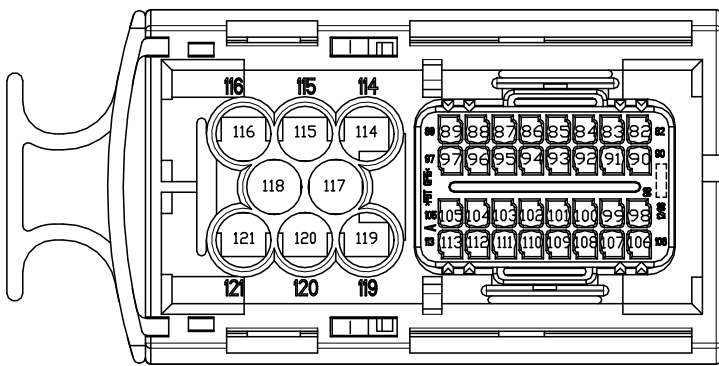
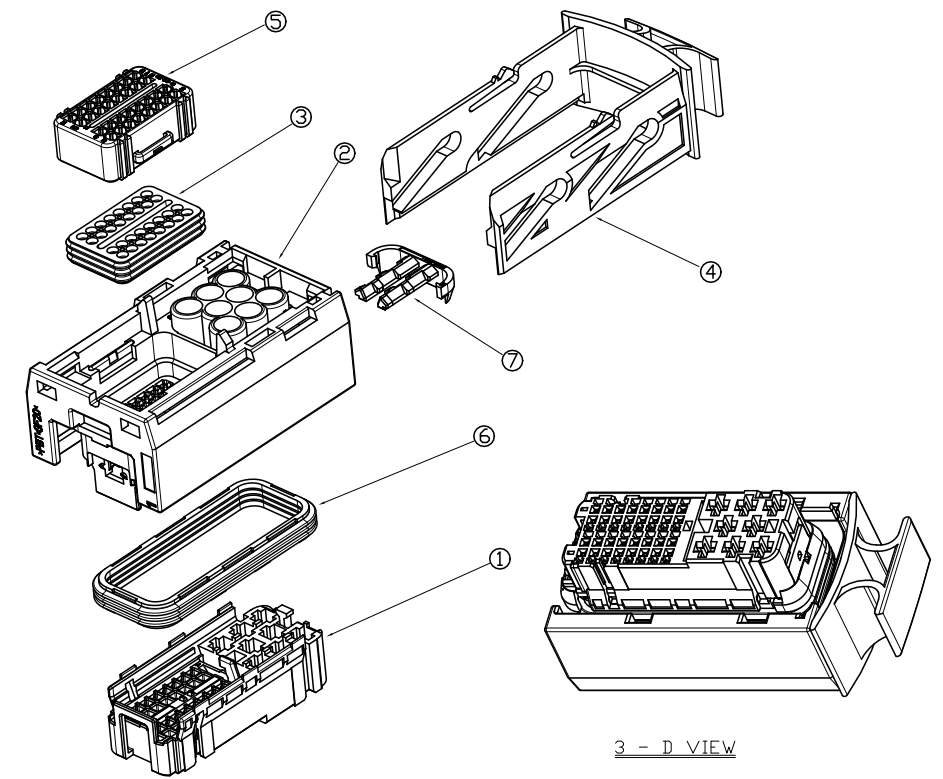
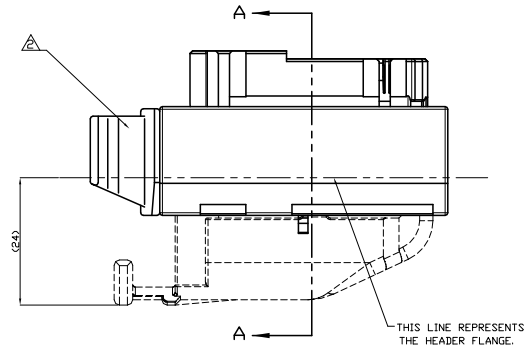
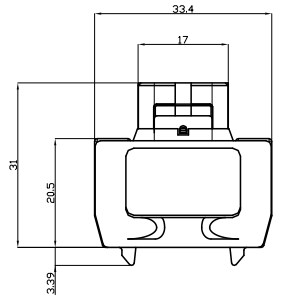
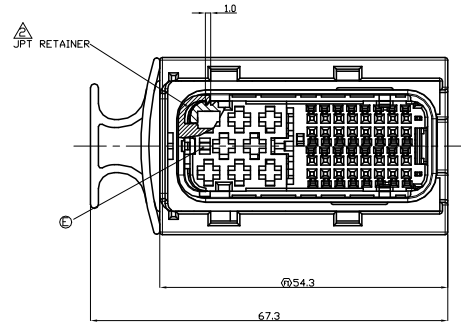


LOC	DIST	REVISIONS				
DS	FP	LYR	DESCRIPTION	DATE	BY	APPV
	F		REVISED(KECR-07-008980)	APR,18,07	YH	JK
	F1		REVISED(KECR-20-000017)	FEB,25,08	JH	JK



SECT. A-A



CIRCUIT NUMBER LAYOUT
 SCALE(4/1)

368383-4	82,83,86,87,88,90,91, 97,105,111,112.	ⓐⓑⓐ
368383-3	82,84,86,87,90,91,95,96, 98,100,103,104,111,112.	ⓐ
368383-2	82,84,86,87,89~92,94~98, 100,103~105,111~113.	ⓐ
368383-1	-	
PART NUMBER	BLANKED CAVITIES	

- NOTES
- GENERAL TOLERANCE IS ±0.5
 - CONDITION OF DELIVERY : SLIDE LEVER IN CLOSED POSITION, JPT RETAINER IN OPEN POSITION.
 - SUITABLE FOR WIRE SIZE RANGE:

CONTACT	MQS	JPT
CIRCUIT NO.	82 - 113 114 - 121	
WIRE SIZE(mm ²)	0.5 - 0.75	0.5 - 2.5
 - APPLIED COVER HSG P/N: 368401

CONTACT	MQS	JPT
Part NO.	968220 968221	964286 964273
WIRE SIZE(mm ²)	0.5 0.75	0.5 - 1.0 1.0 - 2.5
 - APPLIED HEADER ASSEMBLY P/N: 368146.

7	368381-1	JPT RETAINER FOR 40P	PBT-GF30	YELLOW	1	1	1	1
6	368907-1	INNER SEAL FOR 40P	SILICONE	DRANGE	1 <td>1 <td>1 <td>1 </td></td></td>	1 <td>1 <td>1 </td></td>	1 <td>1 </td>	1
	368387-4			BLUE	1 <td></td> <td></td> <td></td>			
5	368387-3	SEAL RETAINER FOR 40P	PBT-GF15	WHITE		1		
	368387-2			GRAY			1	
	368387-1			BLACK				1
4	368386-1	SLIDE LEVER FOR 40P	PA66-GF35	BLACK	1 <td>1 <td>1 <td>1 </td></td></td>	1 <td>1 <td>1 </td></td>	1 <td>1 </td>	1
3	368906-1	32P FAMILY SEAL	SILICONE	DRANGE	1 <td>1 <td>1 <td>1 </td></td></td>	1 <td>1 <td>1 </td></td>	1 <td>1 </td>	1
2	368385-1	MAIN BODY REC. HSG FOR 40P	PBT-GF20	BLACK	1 <td>1 <td>1 <td>1 </td></td></td>	1 <td>1 <td>1 </td></td>	1 <td>1 </td>	1
1	368384-1	FRONT BODY REC. HSG FOR 40P	PA66-GF15	BLACK	1 <td>1 <td>1 <td>1 </td></td></td>	1 <td>1 <td>1 </td></td>	1 <td>1 </td>	1

NO.	Part NO.	DESCRIPTION	MATERIAL	COLOR	Q'TY
7	368381-1	JPT RETAINER FOR 40P	PBT-GF30	YELLOW	1
6	368907-1	INNER SEAL FOR 40P	SILICONE	DRANGE	1
5	368387-3	SEAL RETAINER FOR 40P	PBT-GF15	WHITE	1
4	368386-1	SLIDE LEVER FOR 40P	PA66-GF35	BLACK	1
3	368906-1	32P FAMILY SEAL	SILICONE	DRANGE	1
2	368385-1	MAIN BODY REC. HSG FOR 40P	PBT-GF20	BLACK	1
1	368384-1	FRONT BODY REC. HSG FOR 40P	PA66-GF15	BLACK	1

APPROVED BY	OK YH CHOI	DATE	108-61039
DESIGNED BY	APV8 JK SONG	NAME	40Pos RECEPTACLE HSG ASSEMBLY
PRODUCT SPEC	108-61039	APPLICATION SPEC	114-18050, 114-18021-1
SIZE	114-18050, 114-18021-1	SCALE	2:1
WEIGHT		RESTRICTED TO	368383
CUSTOMER DRAWING		SCALE	2:1 SHEET 1 OF 1 REV F1

X-ON Electronics

Largest Supplier of Electrical and Electronic Components

Click to view similar products for [Automotive Connectors](#) category:

Click to view products by [TE Connectivity](#) manufacturer:

Other Similar products are found below :

[003-018-000](#) [60993906-B](#) [M902-2131](#) [M902-2161](#) [M902-2344](#) [72.330.1035.1](#) [73.353.4028.0](#) [F166900](#) [F358300-B](#) [F407400](#) [776880-1](#)
[827153-1](#) [8N1515-32-24P](#) [9-1326729-8](#) [925474-1](#) [928905-1](#) [964562-4](#) [968782-1](#) [98891-1012](#) [12004475-L](#) [12020308](#) [12041318-B](#)
[12052466](#) [12059716](#) [12064869](#) [12015909](#) [1-21030-1](#) [12041254](#) [12041318](#) [12047946-B](#) [12110546-B](#) [12131792](#) [12084688](#) [12092346](#)
[HD34-18-14PT](#) [HD46-24-23SN-059](#) [HDB36-24-16PN-059](#) [HDP26-24-9SE-L015](#) [12185280](#) [12185550](#) [12336-12](#) [12191172-B](#) [12S](#)
[13545280](#) [13577943](#) [13681974](#) [13737722-B](#) [13830674](#) [13832576](#) [13849772](#)