

4

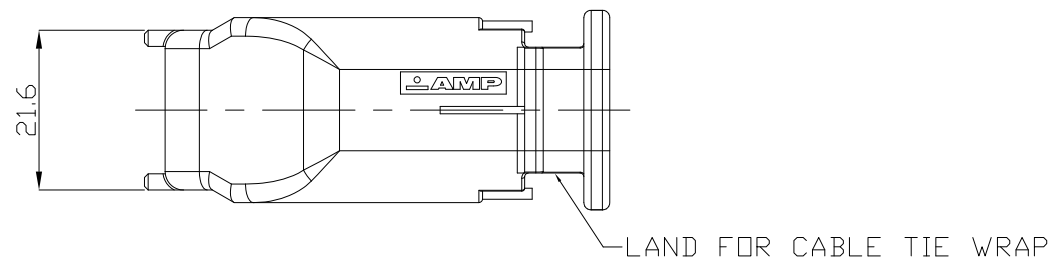
3

2

1

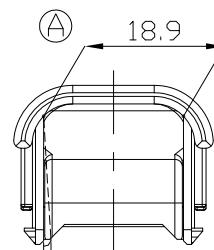
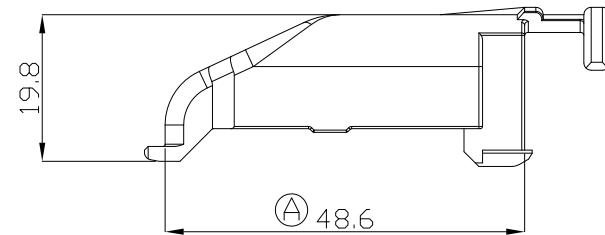
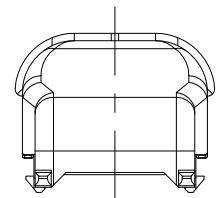
THIS DRAWING IS UNPUBLISHED. RELEASED FOR PUBLICATION  
© COPYRIGHT BY TYCO ELECTRONICS CORPORATION. ALL RIGHTS RESERVED.

| LOC | DIST | REVISIONS |     |                        |            |     |      |
|-----|------|-----------|-----|------------------------|------------|-----|------|
|     |      | P         | LTR | DESCRIPTION            | DATE       | DWN | APVD |
|     |      |           | A   | REVISED<FC00-0104-01>  | 12,OCT,'01 | HS  | CS   |
|     |      |           | B   | REVISED<FC00-0095-02>  | 21,JUN,'02 | HS  | CS   |
|     |      |           | C   | REVISED<ECR-12-010401> | 11,JUN,'12 | YH  | HG   |

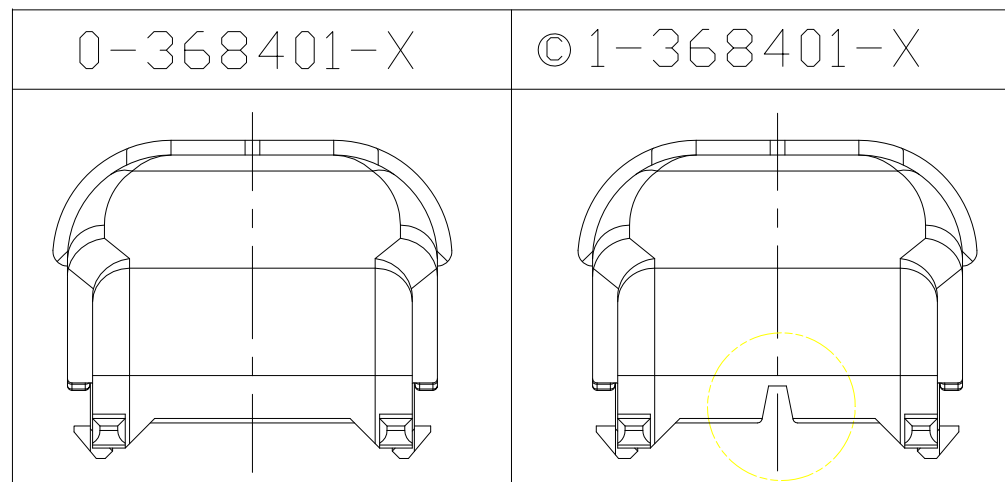
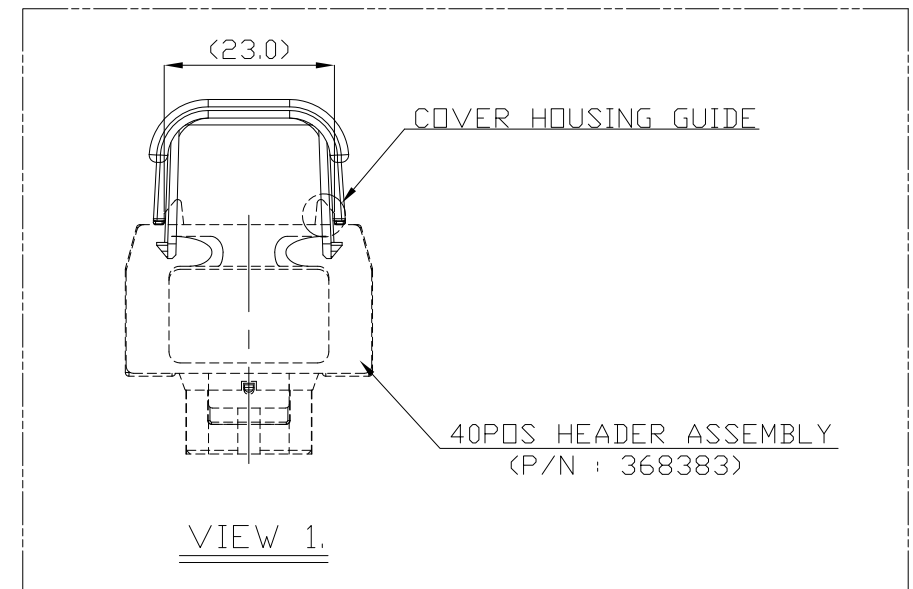
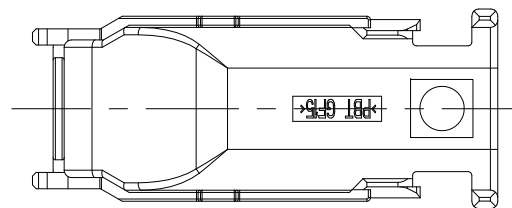


NOTES

- 1. GENERAL TOLERANCE IS  $\pm 0.5$
- ① ② WARPAGE 1.0 MAX.  
THIS WARPAGE WILL BE CORRECTED WITH COVER HOUSING GUIDE WHEN COVER PUTS ON THE HEADER ASSEMBLY.(SEE VIEW 1.)
- ③ APPLICATION TEST SPEC :  
MS210-12-A2[EXT-2](EXCEPT 4.4)



② WARPAGE 1.0 MAX



THIS DRAWING IS A CONTROLLED DOCUMENT FOR TYCO ELECTRONICS CORPORATION IT IS SUBJECT TO CHANGE AND THE CONTROLLING ENGINEERING ORGANIZATION SHOULD BE CONTACTED FOR THE LATEST REVISION.

|                      |  |
|----------------------|--|
| DIMENSIONS:<br>MM    | TOLERANCES UNLESS OTHERWISE SPECIFIED: |
|                      | 0 PLC $\pm$                            |
| 3rd ANGLE PROJECTION | 1 PLC $\pm$                            |
| MATERIAL SEE NOTE    | 2 PLC $\pm$                            |
|                      | 3 PLC $\pm$                            |
|                      | 4 PLC $\pm$                            |
|                      | ANGLES $\pm$                           |
|                      | FINISH N/A                             |

|                  |   |               |              |
|------------------|---|---------------|--------------|
| COVER HOUSING    | ① 1-368401-2                                  | PBT-GF15      | BLACK        |
| COVER HOUSING    | ② 0-368401-2                                  | PBT-GF15      | TRAFFIC RED  |
| COVER HOUSING    | 0-368401-1                                    | PBT-GF15      | BLACK        |
| DESCRIPTION      | Part NO.                                      | MATERIAL      | COLOR        |
| DWN YH MA        | TE Connectivity<br><b>COVER HSG FOR 40POS</b> |               |              |
| CHKKT LIM        |   |               |              |
| APVDHG CHD       |   |               |              |
| PRODUCT SPEC     |   |               |              |
| APPLICATION SPEC | NAME  | RESTRICTED TO |              |
| WEIGHT           | SIZE  | CAGE CODE     | DRAWING NO   |
| CUSTOMER DRAWING | A3  | 00779         | © 368401     |
|                  | SCALE   | 1:1           | SHEET 1 OF 1 |
|                  |   |               | REV C        |

## X-ON Electronics

Largest Supplier of Electrical and Electronic Components

*Click to view similar products for [Automotive Connectors](#) category:*

*Click to view products by [TE Connectivity](#) manufacturer:*

Other Similar products are found below :

[003-018-000](#) [60403001](#) [60993906-B](#) [M902-2131](#) [M902-2161](#) [M902-2344](#) [72.330.1035.1](#) [73.353.4028.0](#) [F119300-B](#) [F166900](#) [F258300-B](#)  
[F358300-B](#) [F407400](#) [F444110](#) [F487000](#) [F509500B-B](#) [827153-1](#) [8N1515-32-24P](#) [9-1326729-8](#) [925474-1](#) [928905-1](#) [964562-4](#) [968782-1](#)  
[GT17SA-8DS-HU](#) [98891-1012](#) [98947-1016](#) [12004147](#) [12004475-L](#) [12010290](#) [12010309-B](#) [12015454](#) [12020219-B](#) [12041318-B](#) [12052225-](#)  
[L](#) [12052466](#) [12064869](#) [12004327-B](#) [12015308](#) [12015384](#) [12015909](#) [1-21030-1](#) [12041254](#) [12041318](#) [12047946-B](#) [12047957](#) [12047957-L](#)  
[12059473](#) [12066261](#) [12110546](#) [12110546-B](#)