

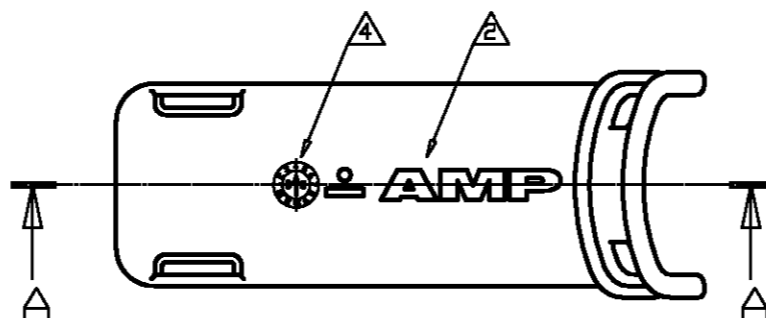
LOC DS

DIST

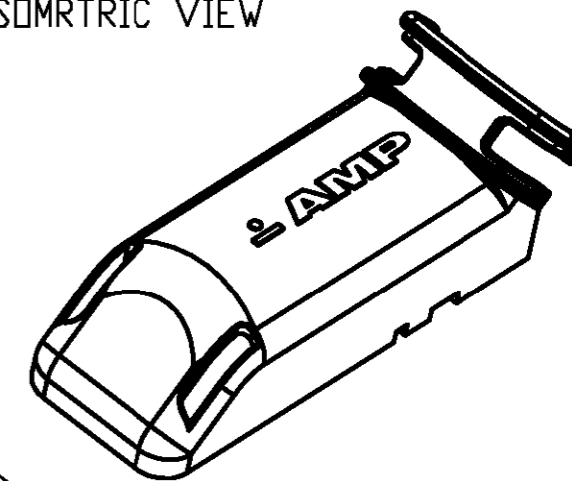
REVISIONS

P	LTR	DESCRIPTION	DATE	DWN	APVD
	□	RELEASED ECN(FC00-0124)	04/OCT/00	JW	CS
	A	RELEASED ECN(FC00-0067-02)	30/APR/02	JW	CS
	A1	REVISED (ECR-05-011210)	08/NOV/05	IS	JK

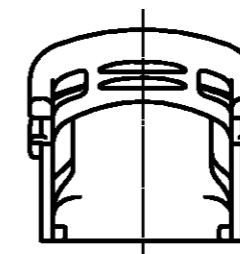
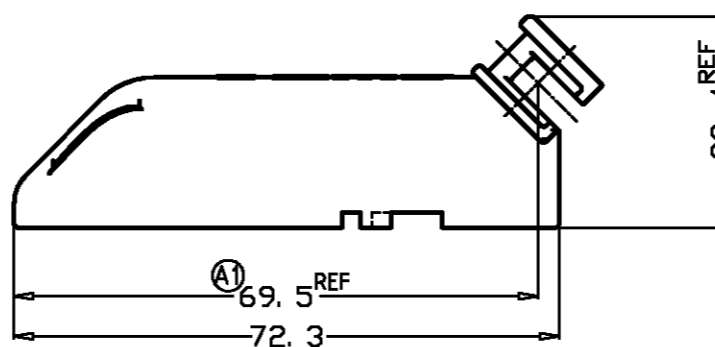
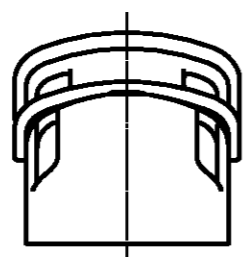
D



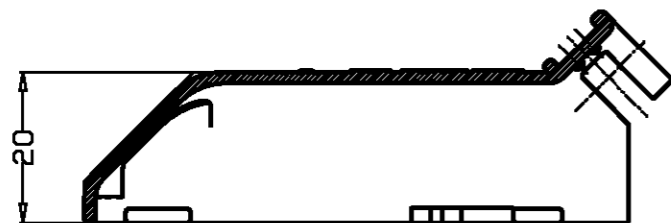
ISOMRTRIC VIEW



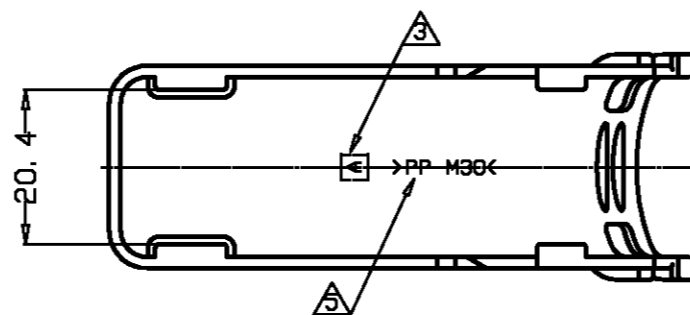
C



B



SECTION A-A



NOTE.

1. APPLICABLE ASS'Y CONNECTOR FOR JPT&MQS 81Pos. P/N: 368290-1
- ① AMP TREAD MARK.
- ③ CAVITY MARK
- ④ DATE CODE.
- ♻️ RECYCLE MARKING.

368448-1	PP-M30	BLACK
PART NO.	MATEIAL	COLOR

A

THIS DRAWING IS CONTROLLED DOCUMENT FOR AMP INCORPORATED. IT IS SUBJECT TO CHANGE AND THE CONTROLLING ENGINEERING ORGANIZATION SHOULD BE CONTACTED FOR THE LATEST REVISION.		DWN IS SHIN		AMP AMP KOREA. kyungsan, korea	
DIMENSIONS: MM		CHK BM JANG			
TOLERANCES UNLESS OTHERWISE SPECIFIED: 0 <XX<10 ± 0.2 10 <XX<30 ± 0.25 30 <XX ± 0.3 ANGLES ± 3°		APVD JK SONG		NAME COVER HSG FOR JPT & MQS ASS'Y 81Pos. ('C' TYPE)	
3rd ANGLE PROJECTION		PRODUCT SPEC ---		DRAWING NO C-368448	
MATERIAL SEE TABLE		FINISH SEE TABLE		SIZE A3	
		WEIGHT ---		CAGE CODE 00779	
		CUSTOMER DRAWING		SCALE 1/1 SHEET 1 OF 1 REV A1	

X-ON Electronics

Largest Supplier of Electrical and Electronic Components

Click to view similar products for [Automotive Connectors](#) category:

Click to view products by [TE Connectivity](#) manufacturer:

Other Similar products are found below :

[003-018-000](#) [60403001](#) [60993906-B](#) [M902-2131](#) [M902-2161](#) [72.330.1035.1](#) [73.353.4028.0](#) [F119300-B](#) [F166900](#) [F258300-B](#) [F358300-B](#)
[F407400](#) [F444110](#) [F487000](#) [F509500B-B](#) [827153-1](#) [8N1515-32-24P](#) [9-1326729-8](#) [925474-1](#) [928905-1](#) [964562-4](#) [968782-1](#) [GT17SA-8DS-](#)
[HU](#) [98891-1012](#) [98947-1016](#) [12004147](#) [12004475-L](#) [12010290](#) [12010309-B](#) [12015454](#) [12020219-B](#) [12020308](#) [12041318-B](#) [12052225-L](#)
[12052466](#) [12059125](#) [12064869](#) [12004327-B](#) [12010503-B](#) [12015308](#) [12015384](#) [12015909](#) [1-21030-1](#) [12041254](#) [12041318](#) [12047946-B](#)
[12047957](#) [12047957-L](#) [12059473](#) [12066261](#)