

4

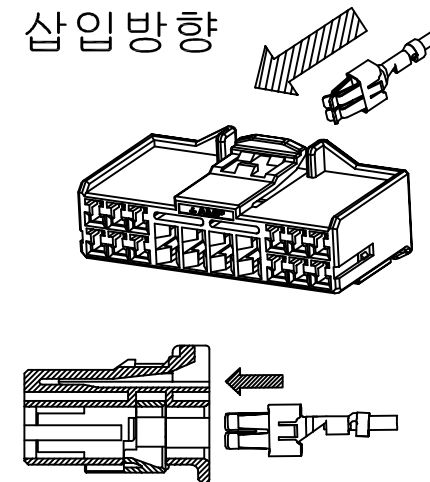
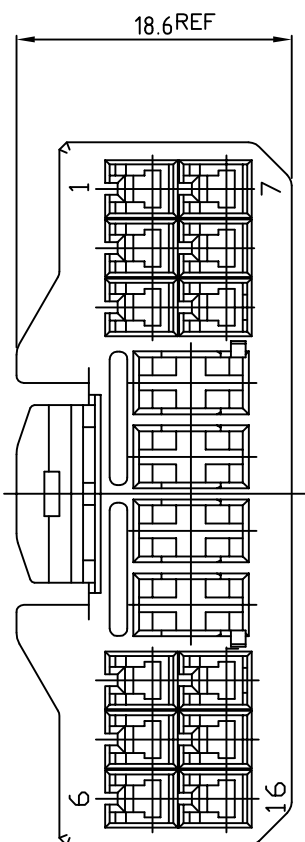
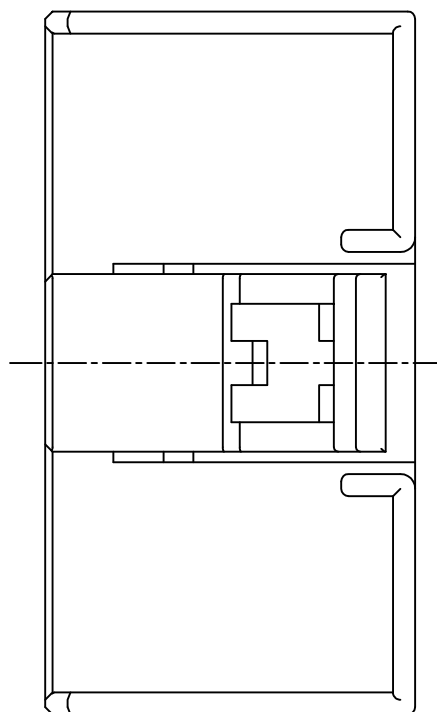
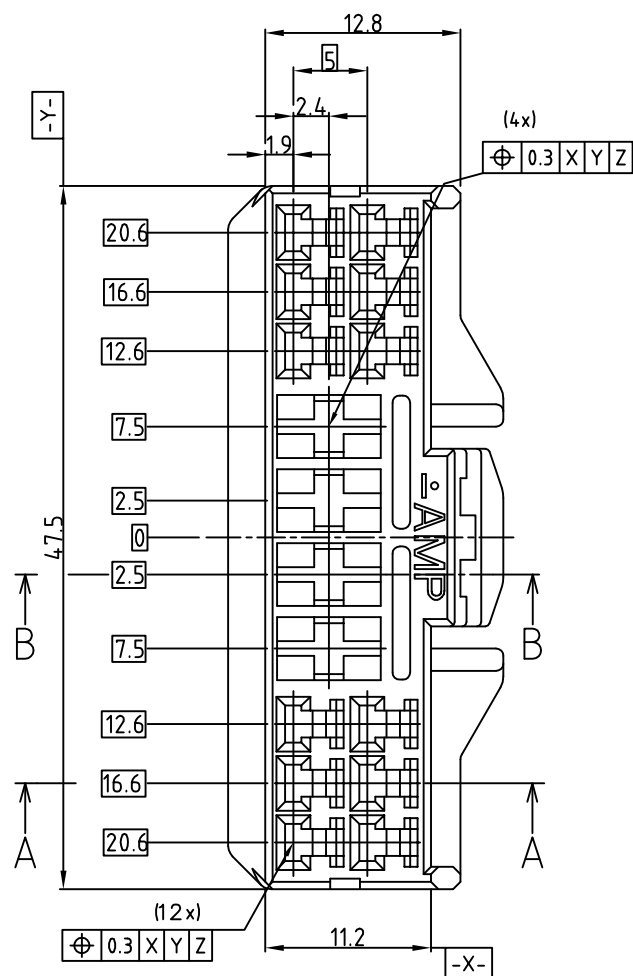
3

2

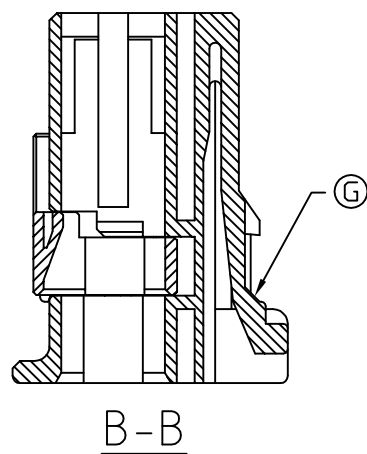
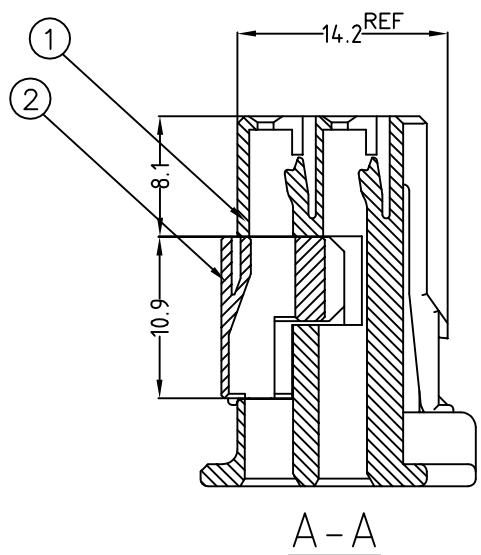
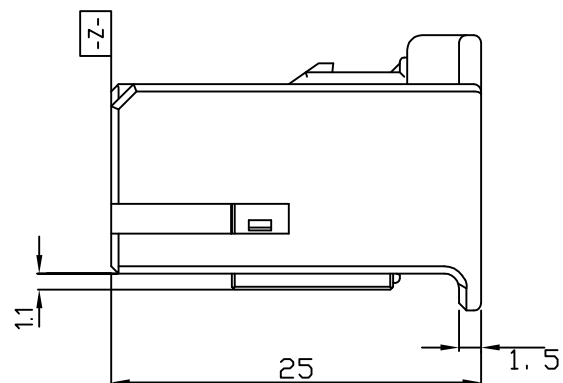
1

THIS DRAWING IS UNPUBLISHED. RELEASED FOR PUBLICATION
COPYRIGHT BY TYCO ELECTRONICS CORPORATION, ALL RIGHTS RESERVED.

LOC	DIST	REVISIONS					
		P	LTR	DESCRIPTION	DATE	DWN	APVD
DS	-		F2	REVISED (ECR-09-019350)	31.AUG.'09	KT	HG
			G	REVISED (ECR-10-014220)	11.AUG.'10	SJ	HG
			G1	REVISED (ECR-12-019821)	15.NOV.'12	JM	HG



NOTE
 1. APPLIED CONTACT P/N;
 090 II- 368083, 368084, 368085
 090 III- 1743654, 1743655, 1743656
 S.P.T.- 927840-2, 927831-2, 927827-2, 927829-2, 964203-1, 964204-1
 2. APPLICABLE PRODUCT SPEC NO. ; 108-61046
 -주기-
 1. 적용단자 P/N. ; 090 II - 368083, 368084, 368085
 090 III - 1743654, 1743655, 1743656
 S.P.T. - 927840-2, 927831-2, 927827-2, 927829-2, 964203-1, 964204-1
 2. 적용제품 규격서 ; 108-61046



ASS'Y P/N	DESCRIPTION
368454-8	090/250 HYB 16P PLUG ASS'Y
368454-3	090/250 HYB 16P PLUG ASS'Y
368454-2	090/250 HYB 16P PLUG ASS'Y
368454-1	090/250 HYB 16P PLUG ASS'Y

No.	COLOR	MATERIAL	DESCRIPTION	Q' TY
①	NATURAL	PBT	DBL	1 1 1 1
	BLUE	PBT	PLUG HSG	1
	GRAY	PBT	PLUG HSG	1
	BLACK	PBT	PLUG HSG	1
	NATURAL	PBT	PLUG HSG	1

THIS DRAWING IS A CONTROLLED DOCUMENT FOR TYCO ELECTRONICS CORPORATION
IT IS SUBJECT TO CHANGE AND THE CONTROLLING ENGINEERING ORGANIZATION
SHOULD BE CONTACTED FOR THE LATEST REVISION.

DIMENSIONS: MM	TOLERANCES UNLESS OTHERWISE SPECIFIED: 0 <XX<10 ± 0.2 10<XX<30 ± 0.25 30<XX ± 0.3 ANGLES ± 3°
MATERIAL	FINISH
SEE TABLE	

DWN JM JEON
 CHK JW JUNG
 APVD HG CHD
 PRODUCT SPEC -
 APPLICATION SPEC -
 WEIGHT -
 CUSTOMER DRAWING

TE TE Connectivity

NAME
 090/250 HYB 16P PLUG HSG ASS'Y

SIZE A3 CAGE CODE 00779 DRAWING NO C-368454 RESTRICTED TO -
 SCALE 2/1 SHEET 1 OF 1 REV G1

X-ON Electronics

Largest Supplier of Electrical and Electronic Components

Click to view similar products for [Automotive Connectors](#) category:

Click to view products by [TE Connectivity](#) manufacturer:

Other Similar products are found below :

[003-018-000](#) [60403001](#) [60993906-B](#) [M902-2131](#) [M902-2161](#) [72.330.1035.1](#) [73.353.4028.0](#) [F119300-B](#) [F166900](#) [F258300-B](#) [F358300-B](#)
[F407400](#) [F444110](#) [F487000](#) [F509500B-B](#) [827153-1](#) [8N1515-32-24P](#) [9-1326729-8](#) [925474-1](#) [928905-1](#) [964562-4](#) [968782-1](#) [GT17SA-8DS-](#)
[HU](#) [98891-1012](#) [98947-1016](#) [12004147](#) [12004475-L](#) [12010290](#) [12010309-B](#) [12015454](#) [12020219-B](#) [12020308](#) [12041318-B](#) [12052225-L](#)
[12052466](#) [12059125](#) [12064869](#) [12004327-B](#) [12010503-B](#) [12015308](#) [12015384](#) [12015909](#) [1-21030-1](#) [12041254](#) [12041318](#) [12047946-B](#)
[12047957](#) [12047957-L](#) [12059473](#) [12066261](#)