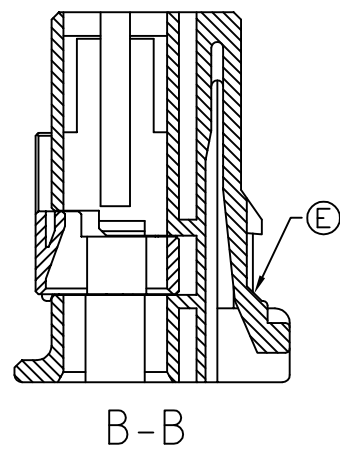
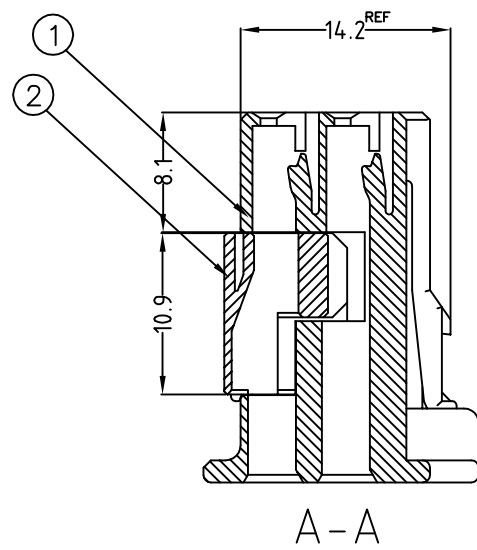
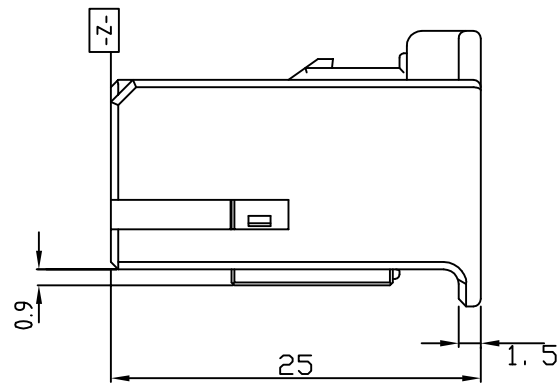
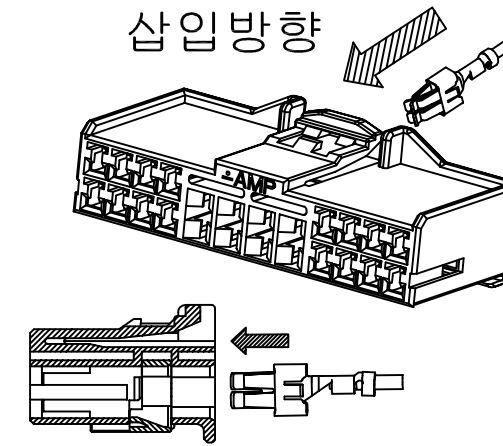
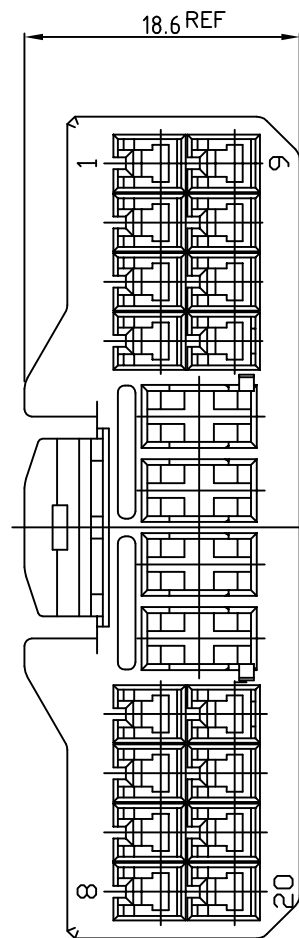
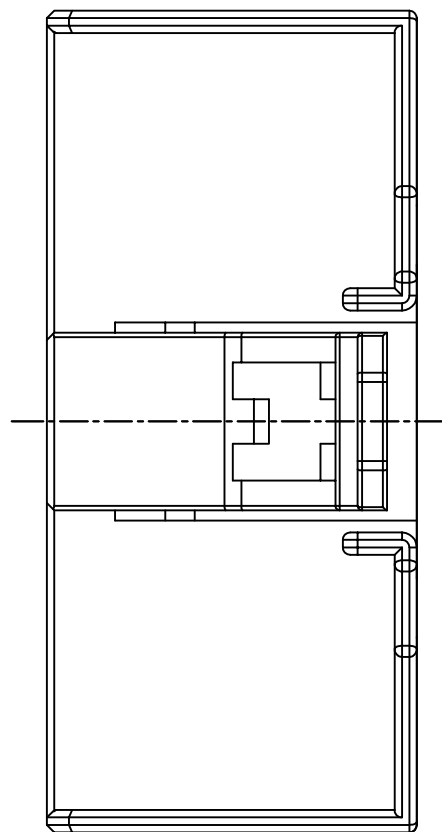
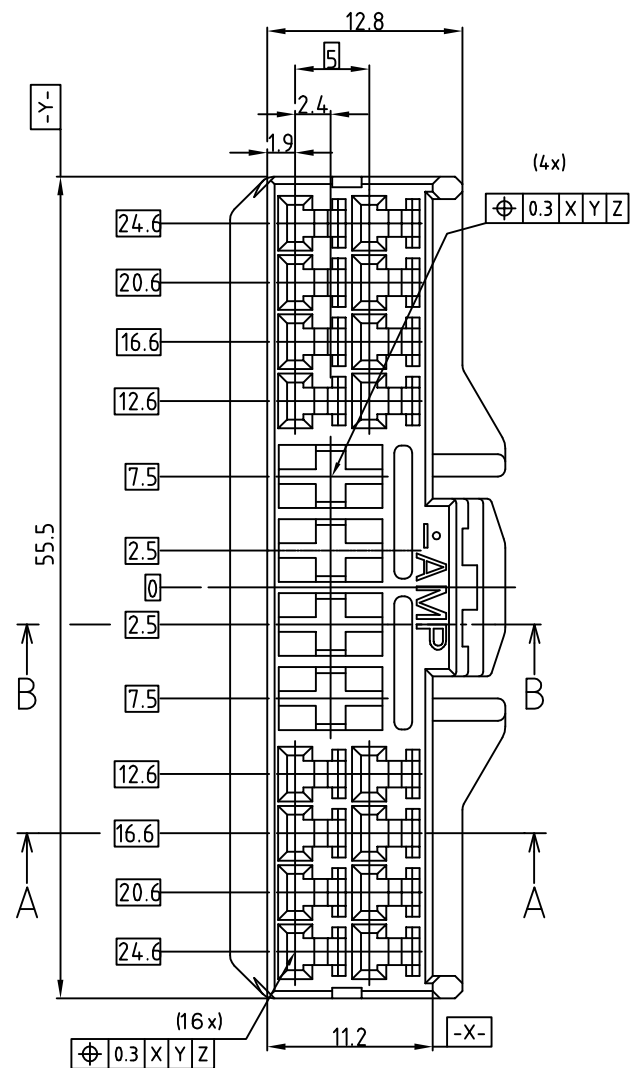


THIS DRAWING IS UNPUBLISHED. RELEASED FOR PUBLICATION  
 © COPYRIGHT BY TYCO ELECTRONICS CORPORATION, ALL RIGHTS RESERVED.

LOC	DIST	REVISIONS					
		P	LTR	DESCRIPTION	DATE	DWN	APVD
DS	-		D2	REVISED (ECR-09-019350)	31.AUG.'09	KT	HG
			E	REVISED (ECR-10-014220)	11.AUG.'10	SJ	HG
			E1	REVISED (ECR-12-019821)	15.NOV.'12	JM	HG



NOTE

- APPLIED CONTACT P/N;  
 090 II- 368083, 368084, 368085  
 090 III- 1743654, 1743655, 1743656  
 S.P.T.- 927840-2, 927831-2, 927827-2, 927829-2, 964203-1, 964204-1
- APPLICABLE PRODUCT SPEC NO. ; 108-61046  
 -추가-  
 1. 적용단자 P/N. ; 090 II - 368083, 368084, 368085  
 090 III - 1743654, 1743655, 1743656  
 S.P.T. - 927840-2, 927831-2, 927827-2, 927829-2, 964203-1, 964204-1  
 2. 적용제품 규격서 ; 108-61046

ASS'Y P/N	DESCRIPTION
368457-4	090/250 HYB 20P PLUG ASS'Y
368457-1	090/250 HYB 20P PLUG ASS'Y

NO.	COLOR	MATERIAL	DESCRIPTION	QTY
2	NATURAL	PBT	DBL HSG	1
1	BROWN	PBT	PLUG HSG	1
	NATURAL	PBT	PLUG HSG	1

THIS DRAWING IS A CONTROLLED DOCUMENT FOR TYCO ELECTRONICS CORPORATION  
 IT IS SUBJECT TO CHANGE AND THE CONTROLLING ENGINEERING ORGANIZATION  
 SHOULD BE CONTACTED FOR THE LATEST REVISION.

DIMENSIONS: MM	TOLERANCES UNLESS OTHERWISE SPECIFIED: 0 <XX<10 ± 0.2 10<XX<30 ± 0.25 30<XX ± 0.3 ANGLES ± 3°	DWN JM JEON CHK JW JUNG APVD HG CHD PRODUCT SPEC - APPLICATION SPEC - WEIGHT -
MATERIAL SEE TABLE	FINISH	CUSTOMER DRAWING



090/250 HYB 20P PLUG HSG ASS'Y

SIZE	CAGE CODE	DRAWING NO	RESTRICTED TO
A3	00779	C-368457	-
SCALE 2/1		SHEET 1 OF 1	REV E1

## X-ON Electronics

Largest Supplier of Electrical and Electronic Components

*Click to view similar products for [Automotive Connectors](#) category:*

*Click to view products by [TE Connectivity](#) manufacturer:*

Other Similar products are found below :

[003-018-000](#) [600858](#) [60403001](#) [60993906-B](#) [60993913-B](#) [629515004020001](#) [M902-2131](#) [M902-2161](#) [M902-2344](#) [72.330.1035.1](#)  
[73.353.4028.0](#) [F118010](#) [F119300-B](#) [F132210](#) [F132210-B](#) [F166900](#) [F180100](#) [F258300](#) [F258300-B](#) [F294300-B](#) [F339100](#) [F339700](#) [F358300-](#)  
[B](#) [F374110](#) [F407400](#) [F412210](#) [F427600](#) [F444110](#) [F487000](#) [F495100-B](#) [F500900-B](#) [F509500B-B](#) [770444-1](#) [776880-1](#) [827153-1](#) [881735-1](#)  
[8N1515-32-24P](#) [9-1326727-8](#) [9-1326729-8](#) [925467-1](#) [925474-1](#) [928905-1](#) [936398-2](#) [964562-1](#) [964562-4](#) [964731-2](#) [965051-1](#) [968782-1](#)  
[GT17SA-8DS-HU](#) [GT17VS-10DP-5.2CF](#)