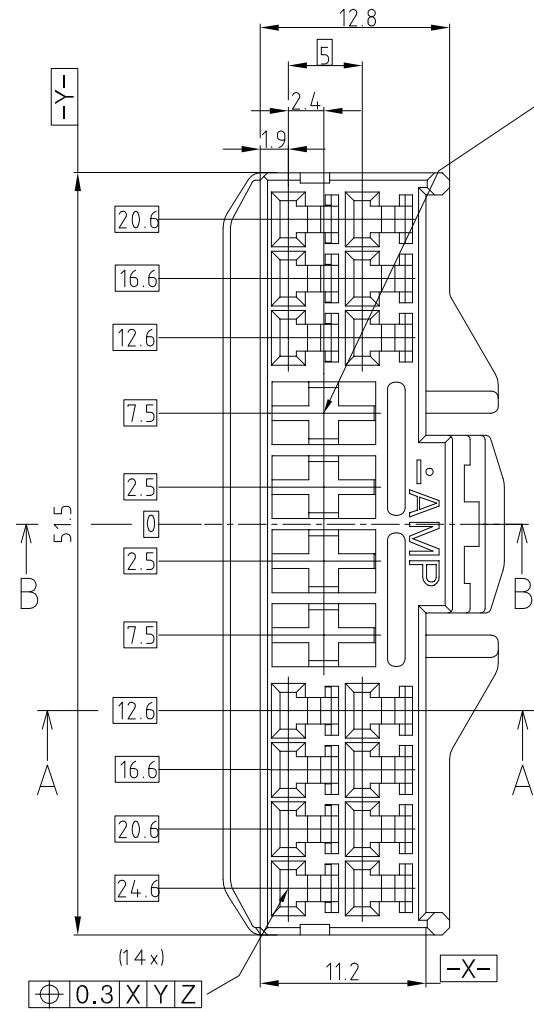


THIS DRAWING IS UNPUBLISHED. RELEASED FOR PUBLICATION

© COPYRIGHT BY TYCO ELECTRONICS CORPORATION. ALL RIGHTS RESERVED.

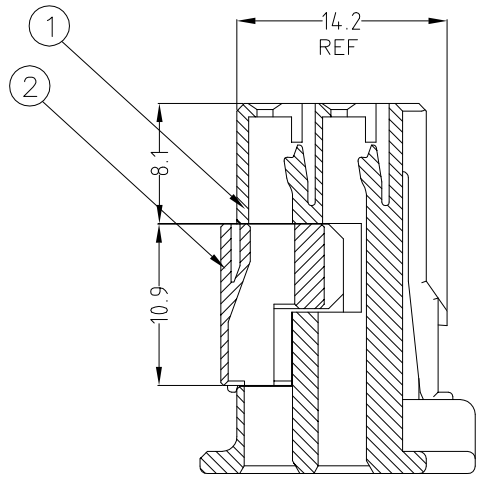
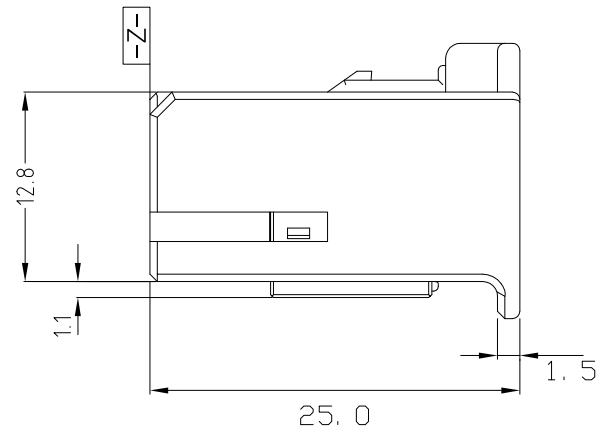
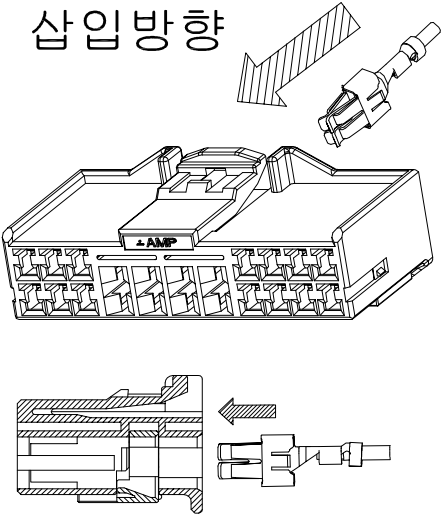
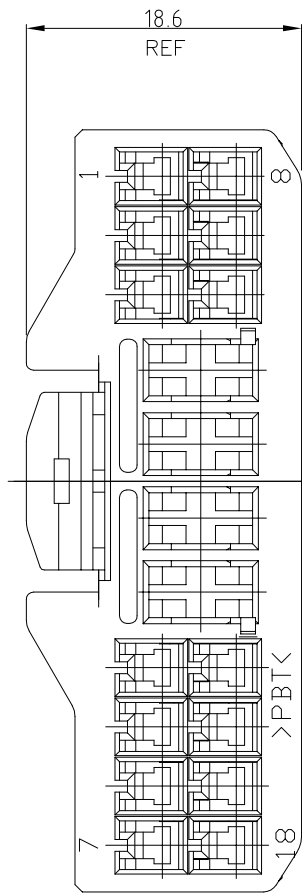
REVISIONS

P	LTR	DESCRIPTION	DATE	DWN	APVD
	B3	REVISED (ECR-09-019350)	31.AUG.'09	KT	HG
	B4	REVISED (ECR-12-019821)	15.NOV.'12	JM	HG
	B5	REVISED (ECR-14-009134)	08.DEC.'14	JM	HG

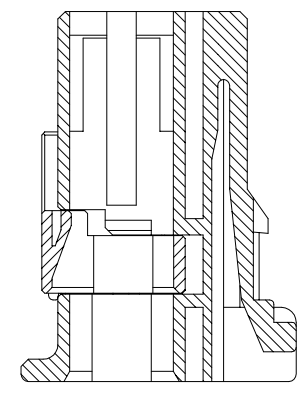


(4x) 0.3 XYZ

(14x) 0.3 XYZ



A-A



B-B

NOTE

- APPLIED CONTACT P/N;  
 090 II- 368083, 368084, 368085  
 090 III- 1743654, 1743655, 1743656  
 S.P.T.- 927840-2, 927831-2, 927837-2, 927829-2, 964203-1, 964204-1
  - APPLICABLE PRODUCT SPEC NO. ; 108-61046
- 추가-
- 적용단자 P/N. ; 090 II - 368083, 368084, 368085  
 090 III - 1743654, 1743655, 1743656  
 S.P.T. - 927840-2, 927831-2, 927827-2, 927829-2, 964203-1, 964204-1
  - 적용제품 규격서 ; 108-61046

ASS'Y P/N	DESCRIPTION
368497-3	090/250 HYB 18P PLUG ASS'Y
368497-2	090/250 HYB 18P PLUG ASS'Y
368497-1	090/250 HYB 18P PLUG ASS'Y

NO.	COLOR	MATERIAL	DESCRIPTION	QTY
1	NATURAL	PBT	DBL HSG	1
	GRAY	PBT	PLUG HSG	1
	BLACK	PBT	PLUG HSG	1
2	NATURAL	PBT	PLUG HSG	1
	NATURAL	PBT	PLUG HSG	1

THIS DRAWING IS A CONTROLLED DOCUMENT FOR TYCO ELECTRONICS CORPORATION. IT IS SUBJECT TO CHANGE AND THE CONTROLLING ENGINEERING ORGANIZATION SHOULD BE CONTACTED FOR THE LATEST REVISION.		DWN JM JEON
DIMENSIONS: MM		CHK JW JUNG
TOLERANCES UNLESS OTHERWISE SPECIFIED: 0 <XX<10 ± 0.2 10<XX<30 ± 0.25 30<XX ± 0.3 ANGLES ± 3°		APVD HG CHD
MATERIAL SEE TABLE		PRODUCT SPEC -
FINISH		APPLICATION SPEC -
		WEIGHT -
		CUSTOMER DRAWING

**TE** TE Connectivity

NAME  
090/250 HYB 18P PLUG HSG ASS'Y

SIZE	CAGE CODE	DRAWING NO	RESTRICTED TO
A3	00779	C-368497	-

SCALE 2/1 SHEET 1 OF 1 REV B5

## X-ON Electronics

Largest Supplier of Electrical and Electronic Components

*Click to view similar products for [Automotive Connectors](#) category:*

*Click to view products by [TE Connectivity](#) manufacturer:*

Other Similar products are found below :

[003-018-000](#) [60993906-B](#) [72.330.1035.1](#) [776880-1](#) [827153-1](#) [9-1326729-8](#) [9-221607-5](#) [925474-1](#) [928905-1](#) [964562-4](#) [968782-1](#) [98891-1012](#) [12004468](#) [12004475-L](#) [12004483](#) [12052466](#) [12066163](#) [12015909](#) [12077753](#) [1-21030-1](#) [12047957](#) [12047958](#) [12084688](#) [12185550](#) [12336-12](#) [1-326211-1](#) [13681974](#) [13688972](#) [13755420](#) [13779834](#) [13783086](#) [13843152](#) [13522378](#) [13581967](#) [13669624](#) [13675513](#) [13753471](#) [13946876](#) [13953457](#) [13955963](#) [13964573](#) [13971791](#) [13790534-L](#) [13797473](#) [13805590](#) [13888202](#) [1428188-1](#) [1437287-3](#) [1428188-2](#) [DS07-19S-5020](#)