

THIS DRAWING IS UNPUBLISHED.

RELEASED FOR PUBLICATION

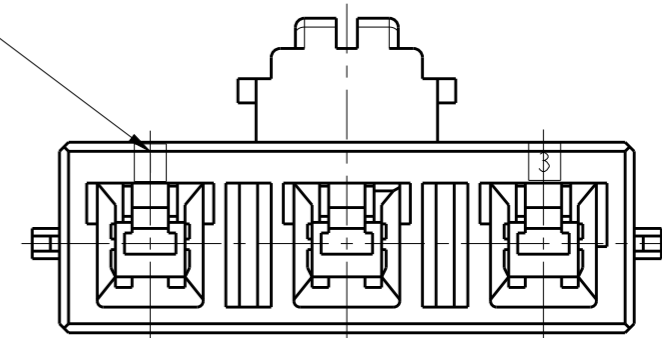
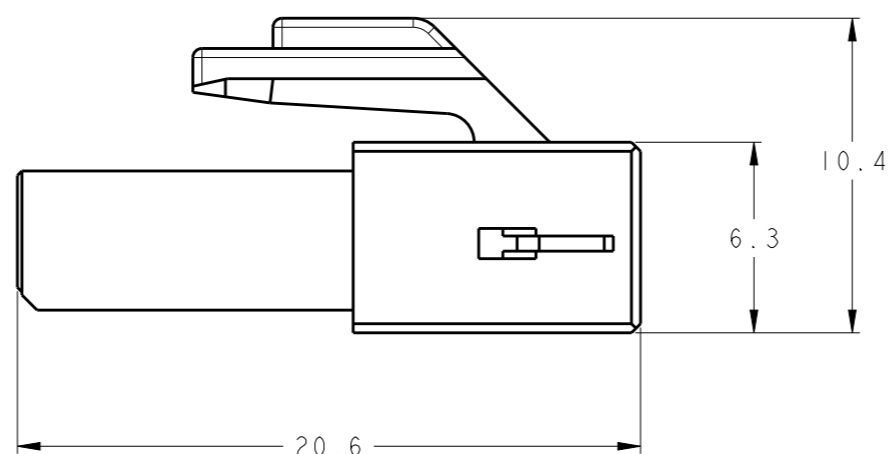
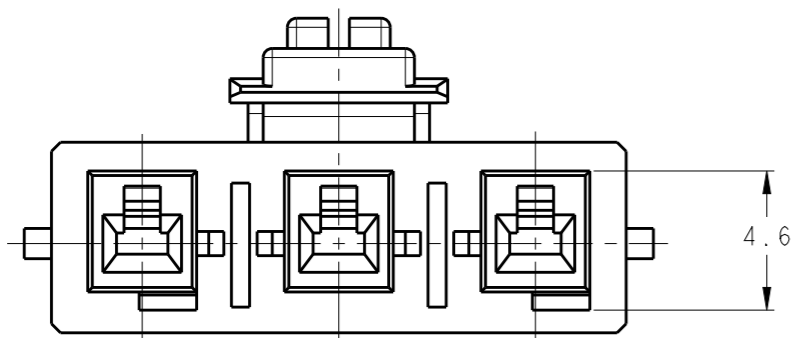
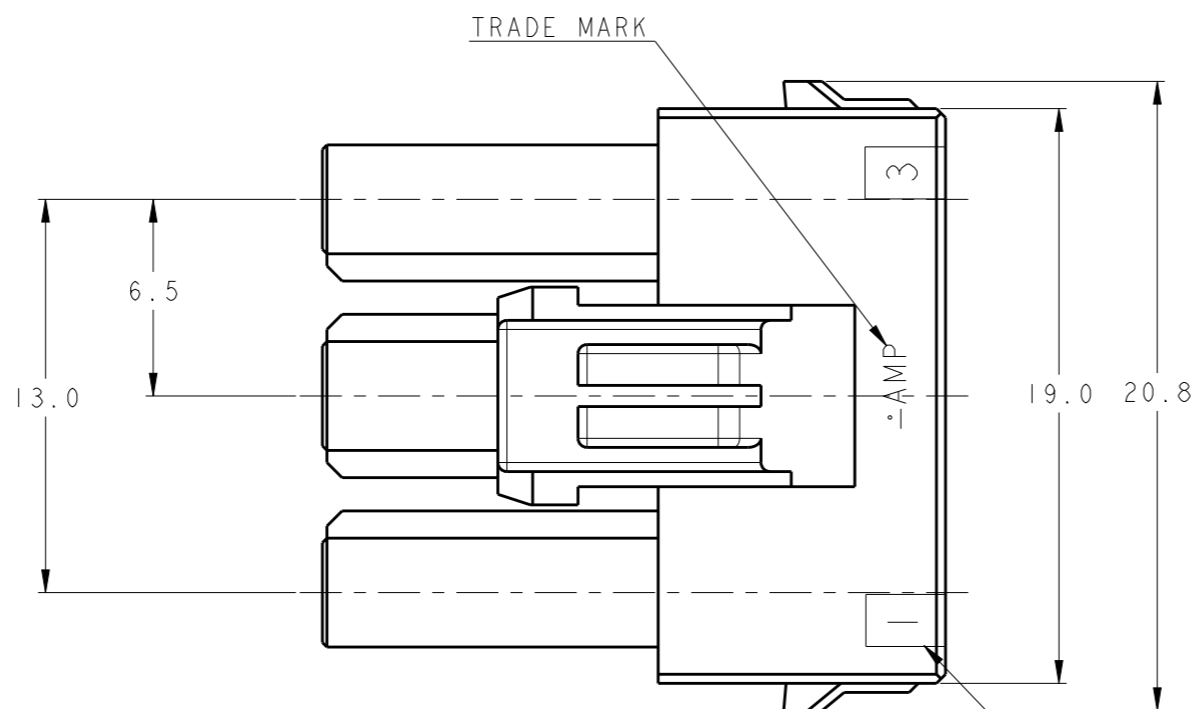
20

© COPYRIGHT 20 BY -

ALL RIGHTS RESERVED.

REVISIONS

P	LTR	DESCRIPTION	DATE	DWN	APVD
	A	RELEASED	14MAR'07	SC	JK
	B	REVISED PER ECR-09-011788	25MAY'09	SC	JK
	C	REVISED PER ECR-19-009721	01JUL2019	M.G	D.Z



NOTE;

- THIS HOUSING ACCEPTS RECEPTACLE TERMINAL:  
- REC CONTACT: 177915-□ (AWG#16-#20)  
: 177914-□ (AWG#22-#26)
- MATING CONN. P/N  
- PC BOARD MOUNT(HEADER ASS'Y): 179846-□
- APPLICABLE DOUBLE LOCK PLATE: 316062-1  
\*IT SHOULD BE USED CERTAINLY WHEN CABLE ASS'Y
- GENERAL TOLERANCES: ±0.3
- MATERIAL: PA66, UL 94V-0  
COMPLY WITH GLOW WIRE REQUIREMENT FOR PARTS OF  
NON-METALLIC MATERIALSUPPORTING A CURRENT-CARRYING  
CONNECTION DETAILED IN IEC 60335-1, SECTION 30(GWT)

368570-9	BLACK
368570-6	BLUE
368570-4	YELLOW
368570-2	RED
368570-1	NATURAL
P/N	COLOR

THIS DRAWING IS A CONTROLLED DOCUMENT.		DWN SC KIM		<b>TE Connectivity</b>	
DIMENSIONS: mm		CHK BW KANG			
		TOLERANCES UNLESS OTHERWISE SPECIFIED:		NAME PDL 3P PLUG HSG 6.5mm (GWT)	
		0 PLC ± 1 PLC ± 2 PLC ± 3 PLC ± 4 PLC ± ANGLES ±		PRODUCT SPEC 108-5140	
MATERIAL 5		FINISH -		APPLICATION SPEC 114-5175	
		WEIGHT -		SIZE A3	
		CUSTOMER DRAWING		CAGE CODE 00779	
				DRAWING NO 368570	
				RESTRICTED TO -	
				SCALE 4:1	
				SHEET 1 OF 1	
				REV C	

## X-ON Electronics

Largest Supplier of Electrical and Electronic Components

*Click to view similar products for te connectivity manufacturer:*

Other Similar products are found below :

[570416-000](#) [CLTEQ-M81CE-SSRELAY-4-20V](#) [4-1633138-8](#) [D38999/24FJ4AN](#) [4-1195131-0](#) [650069-000](#) [SMD100-2](#) [2EDL4CM](#)  
[DTS20W19-11PD-3028](#) [DTS20W19-11PD-3028-LC](#) [DTS20W19-32SD-3028-LC](#) [DTS20W19-32SD-3028](#) [NC6-P104-06](#) [TXR64AB90-](#)  
[3616AI](#) [DTS26F21-41HE](#) [DTS26F21-41AE](#) [DTS26F21-41PE-LC](#) [DTS26F21-11SE-3028-LC](#) [D38999/24WF32JE](#) [D38999/24WF32SE-LC](#)  
[DTS24W19-32HE](#) [D38999/20JB35HA](#) [D38999/24WJ20PA](#) [164-8033-08](#) [D38999/24FF32JE](#) [D38999/24FF32SE-LC](#) [D38999/24WF32JB](#)  
[D38999/24WG11HA](#) [D38999/24WG11HN](#) [MS27467T21F11H](#) [DJT16E21-11HA](#) [DTS24F19-32HE](#) [DTS20W19-32SA-3028-LC](#) [DTS24F19-](#)  
[11SC-3028-LC](#) [DTS24F19-11SC-3028](#) [DJT14E13-98HB](#) [D38999/20WC8BB](#) [1-330599-5](#) [DTS24F21-41HN-LC](#) [DTS24F21-41HN](#)  
[DTS24F21-41AN](#) [DTS24F21-39HN](#) [DTS24F21-41PN-LC](#) [AFD50-10-6SN-1A-LC](#) [DJT10F17-26HC](#) [DTS24W19-32HB](#) [ACT20JE99HA](#)  
[DJT10E17-26HC](#) [DJT10E17-26HN](#) [DJT10F17-26HA](#)