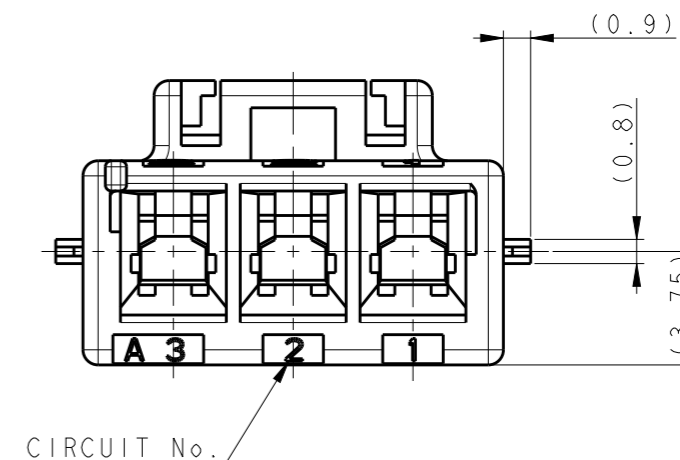
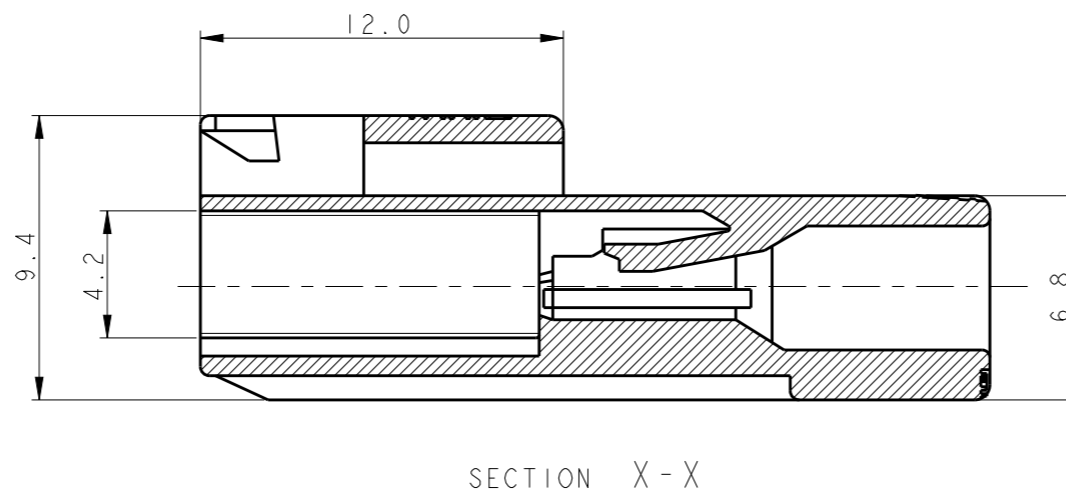
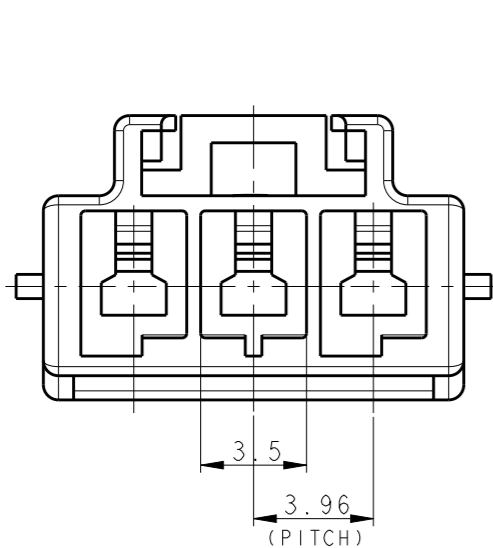
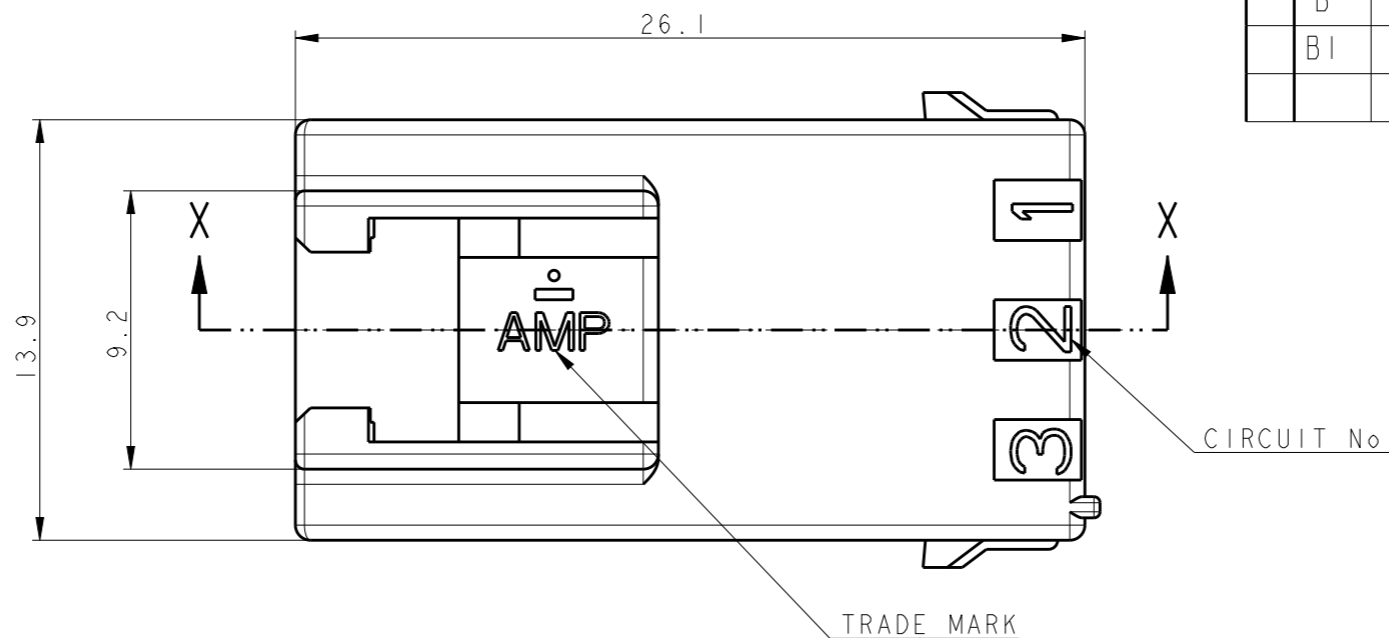


THIS DRAWING IS UNPUBLISHED. RELEASED FOR PUBLICATION 20  
 © COPYRIGHT 20 BY - ALL RIGHTS RESERVED.

REVISIONS					
P	LTR	DESCRIPTION	DATE	DWN	APVD
	A	RELEASED	29MAY'09	SC	JK
	B	REVISED PER ECR-19-009721	01JUL2019	M.G	D.Z
	B1	REVISED PER ECR-20-006080	27APR2020	SC	D.Z



NOTES,

- APPLICABLE TAB TERMINAL:  
 -TAB CONTACT: 177917-□ (AWG#16-#20)  
 177916-□ (AWG#22-#26)
- MATING CONN.P/N  
 -PLUG HSG: 368571-□  
 -REC CONTACT: 177915-□ (AWG#16-#20)  
 : 177914-□ (AWG#22-#26)

3. APPLICABLE DOUBLE LOCK PLATE: 177919-1

4. GENERAL TOLERANCES: ±0.3

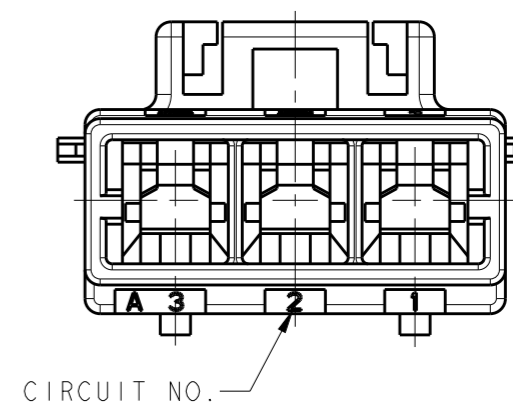
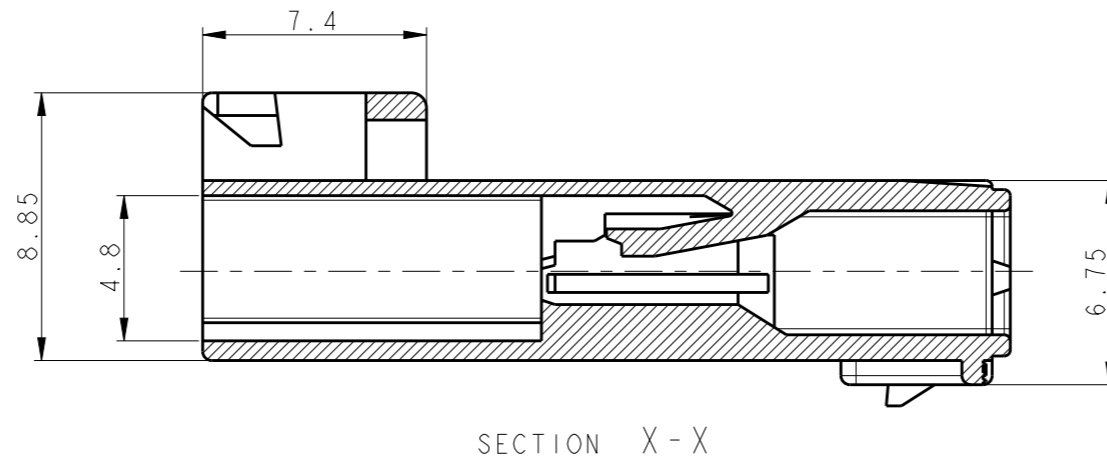
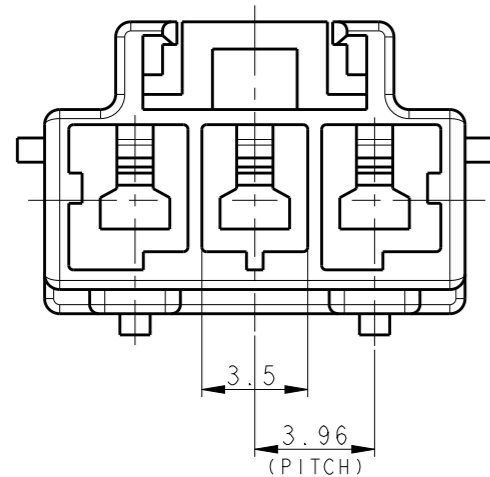
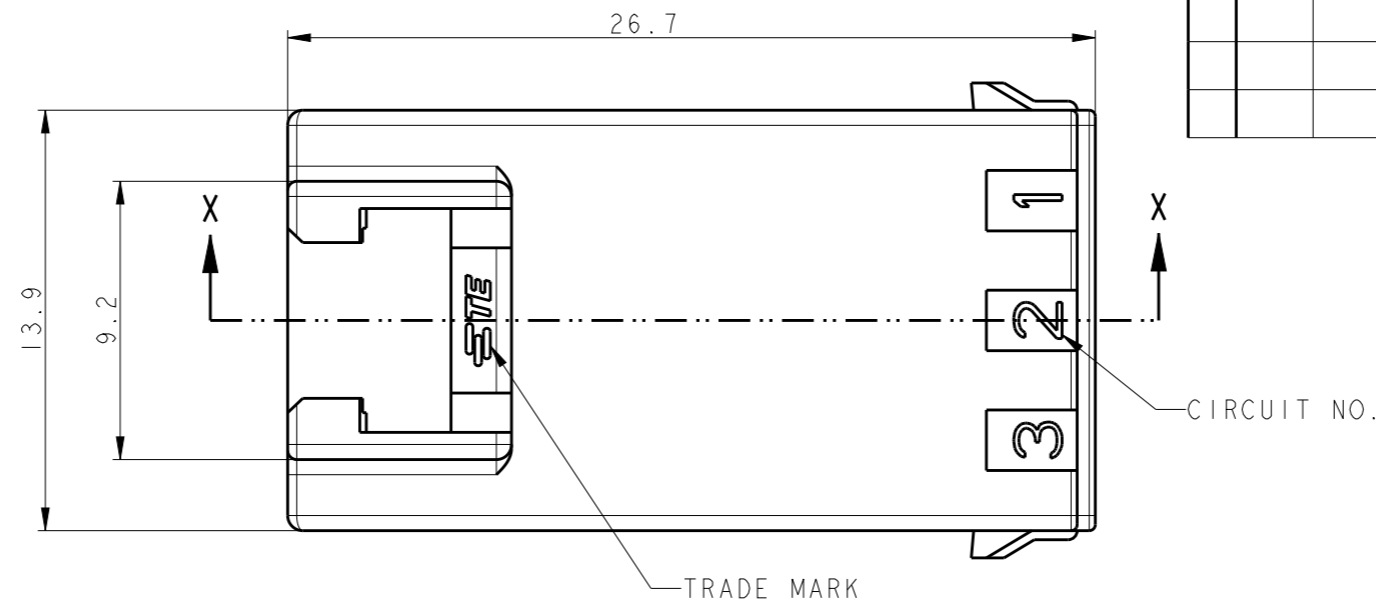
5. MATERIAL: PA66, UL94V-0,  
 COMPLY WITH GLOW WIRE REQUIREMENT FOR PARTS OF  
 NON-METALLIC MATERIAL SUPPORTING A CURRENT-CARRYING  
 CONNECTION DETAILED IN IEC 60335-1, SECTION 30(GWT)

368572-9	BLACK
368572-6	BLUE
368572-4	YELLOW
368572-2	RED
368572-1	NATURAL
P/N	COLOR

THIS DRAWING IS A CONTROLLED DOCUMENT.		DWN SC KIM	TE Connectivity	
DIMENSIONS: mm		CHK BW KANG		
TOLERANCES UNLESS OTHERWISE SPECIFIED:		APVD JK SONG	NAME PDL 3P CAP HSG 3.96mm F/H (GWT)	
0 PLC ±- 1 PLC ±- 2 PLC ±- 3 PLC ±- 4 PLC ±- ANGLES ±-		PRODUCT SPEC 108-5410	SIZE A3	
MATERIAL 5		FINISH -	APPLICATION SPEC 114-5175	CAGE CODE 00779
		WEIGHT -	DRAWING NO C-368572	RESTRICTED TO
		CUSTOMER DRAWING	SCALE 2:1	SHEET 1 OF 2
				REV B1

THIS DRAWING IS UNPUBLISHED. RELEASED FOR PUBLICATION 20  
 © COPYRIGHT 20 BY - ALL RIGHTS RESERVED.

REVISIONS					
P	LTR	DESCRIPTION	DATE	DWN	APVD
		SEE SHEET 1			



NOTES,

- APPLICABLE TAB TERMINAL:  
 -TAB CONTACT: 177917-□ OR 2369503-□ (AWG#16-#20)  
 177916-□ OR 2369502-□ (AWG#22-#26)
- MATING CONN.P/N:  
 -PLUG HSG: 5-368571-□  
 -REC CONTACT: 1743729-□ OR 2369500-□ (AWG#16-#20)  
 1743728-□ OR 2369501-□ (AWG#22-#26)
- APPLICABLE DOUBLE LOCK PLATE:  
 -FOR AWG#20: 2-2360442-0 AND 2-2360443-0  
 -FOR AWG#24: 2-2360442-4 AND 2-2360443-4
- GENERAL TOLERANCES: ±0.3

5. MATERIAL: PA66, UL94V-0,  
 COMPLY WITH GLOW WIRE REQUIREMENT FOR PARTS OF  
 NON-METALLIC MATERIAL SUPPORTING A CURRENT-CARRYING  
 CONNECTION DETAILED IN IEC 60335-1, SECTION 30(GWT)

PRELIMINARY	5-368572-1	NATURAL
	P/N	COLOR

THIS DRAWING IS A CONTROLLED DOCUMENT.		DWN SC KIM 27APR2020	TE Connectivity	
DIMENSIONS: mm		CHK		
		TOLERANCES UNLESS OTHERWISE SPECIFIED:		NAME DANIEL ZHANG
		0 PLC ±-	1 PLC ±-	PRODUCT SPEC 108-5410
MATERIAL 5		2 PLC ±-	3 PLC ±-	APPLICATION SPEC 114-5175
FINISH		4 PLC ±-	ANGLES ±-	WEIGHT -
		CUSTOMER DRAWING	SCALE 4:1	RESTRICTED TO
		SIZE A3	CAGE CODE 00779	DRAWING NO C-368572
		SHEET 2 OF 2		REV B1

## X-ON Electronics

Largest Supplier of Electrical and Electronic Components

*Click to view similar products for [Headers & Wire Housings](#) category:*

*Click to view products by [TE Connectivity](#) manufacturer:*

Other Similar products are found below :

[95000-104TRLF](#) [10135584-644402LF](#) [DF62W-EP2022PCA](#) [95000-106TRLF](#) [DF62W-2022SCA](#) [DF62W-EP2022PC](#) [2203348](#) [DF62W-2022SC](#) [1084018](#) [1029039](#) [1084017](#) [802-10-012-10-002000](#) [1112640](#) [1112639](#) [000-34000](#) [0009482033](#) [0009507031](#) [57102-S06-03LF](#) [57202-S52-04LF](#) [PCN6-15S-2.5E](#) [0039019024](#) [58102-G61-06LF](#) [582553-1](#) [0009508121](#) [0050291907](#) [018731A](#) [LY20-4P-DT1-P1E-BR](#) [02.125.8002.8](#) [60101931](#) [60598-1 \(Cut Strip\)](#) [M1625-3R/100](#) [61062-3](#) [61082-181009](#) [636-1427](#) [638009-1](#) [641938-9](#) [641991-4](#) [644168-1](#) [647662-1](#) [65039-019ELF](#) [65817-002LF](#) [65817-015LF](#) [65863-015LF](#) [66207-023LF](#) [67016-026LF](#) [67046-001LF](#) [67095-007LF](#) [68002-116](#) [68016-236H](#) [68648-049](#)