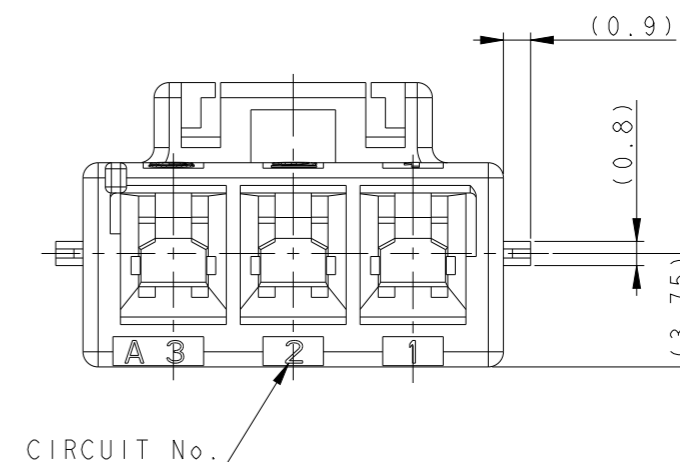
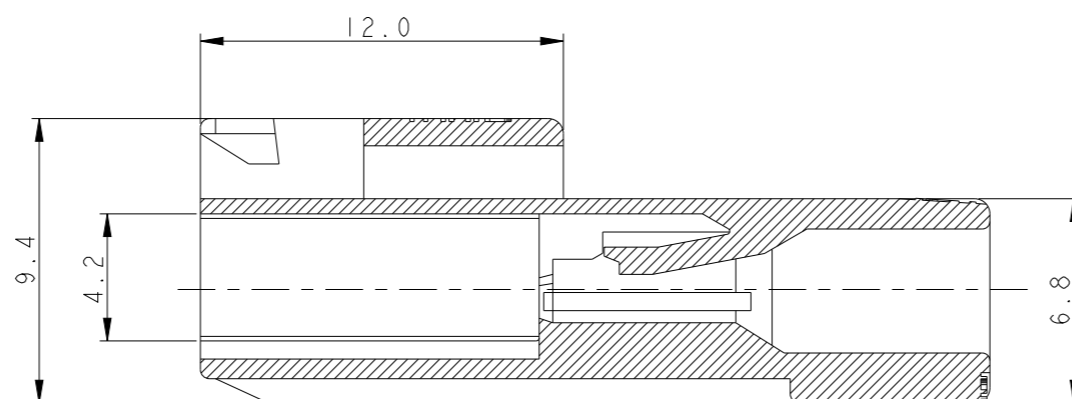
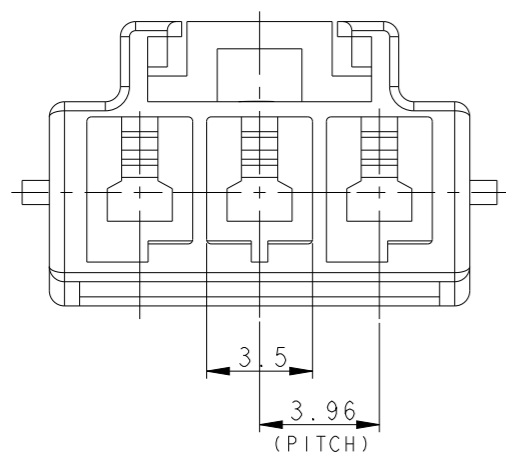
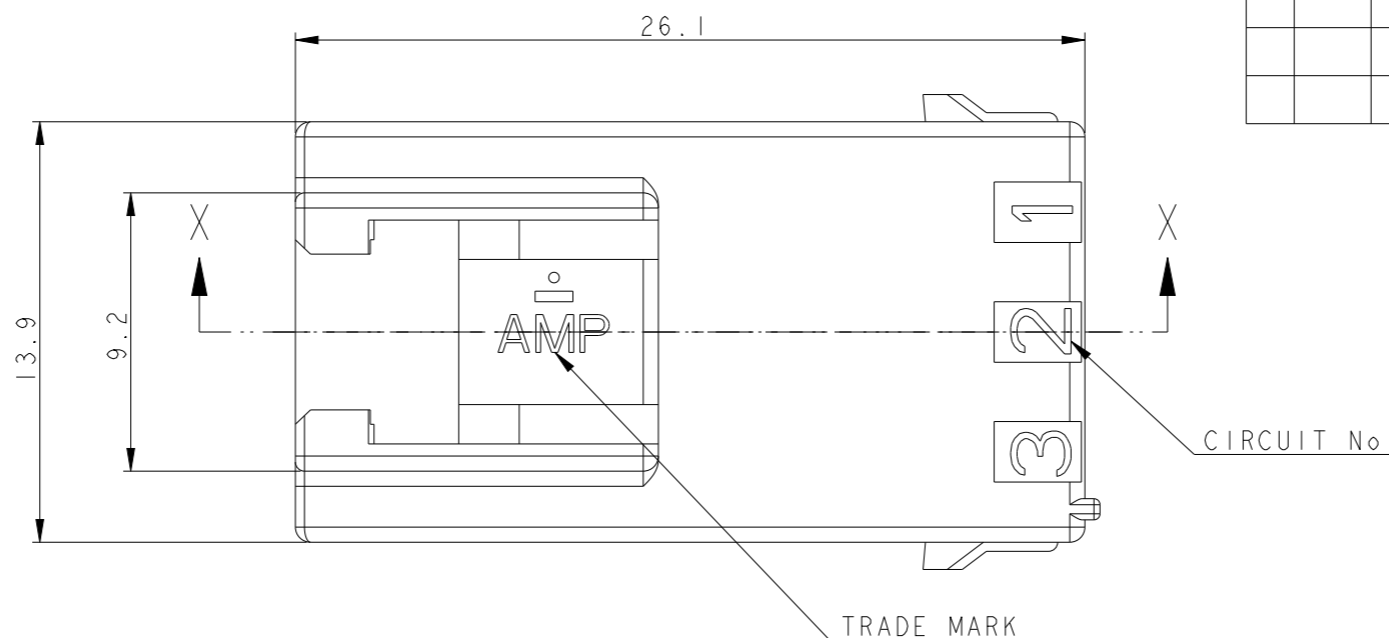


P	LTR	DESCRIPTION	DATE	DWN	APVD
	B3	REVISED PER ECR-21-100706	22FEB2021	SC	D.Z



NOTES,

1. APPLICABLE TAB TERMINAL:

- TAB CONTACT: 177917-□ (AWG#16-#20)
- 177916-□ (AWG#22-#26)

2. MATING CONN. P/N

- PLUG HSG: 368571-□
- REC CONTACT: 177915-□, □-2232901-□ (AWG#16-#20)
- 177914-□, □-2232902-□ (AWG#22-#26)

3. APPLICABLE DOUBLE LOCK PLATE: 177919-1

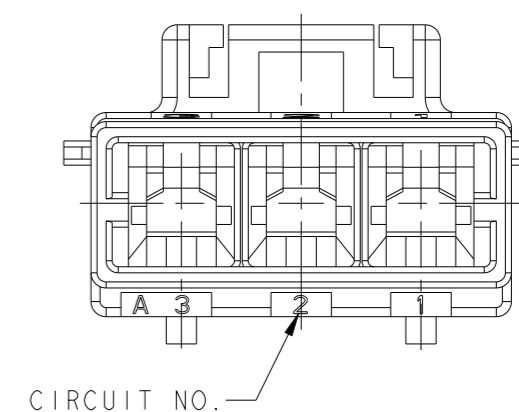
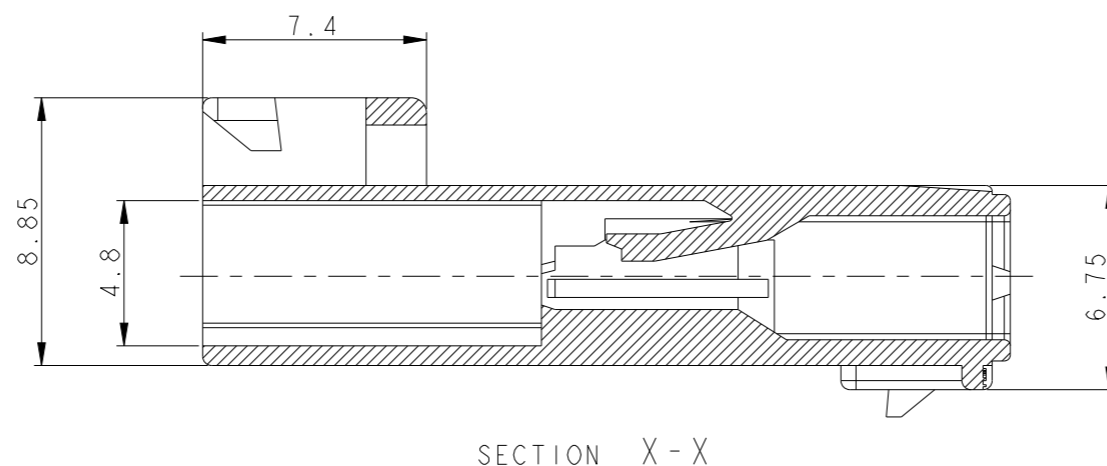
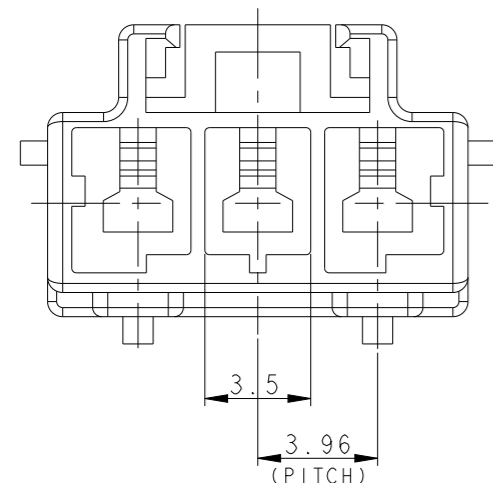
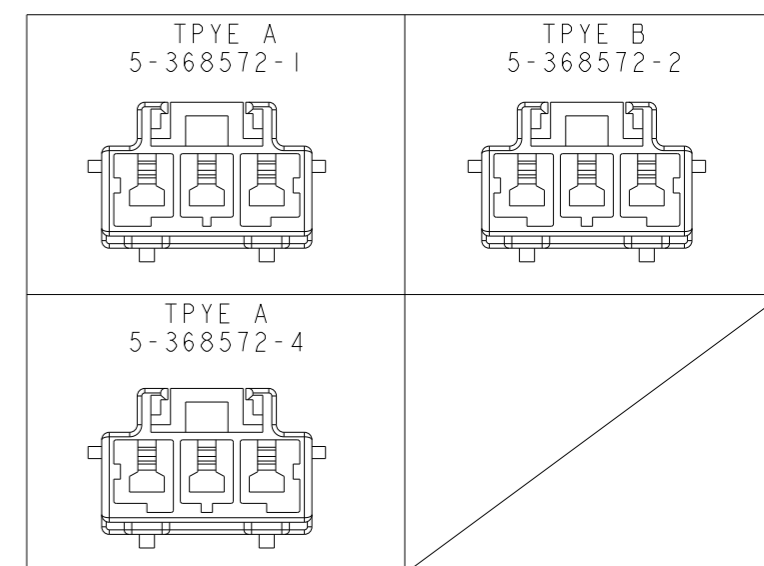
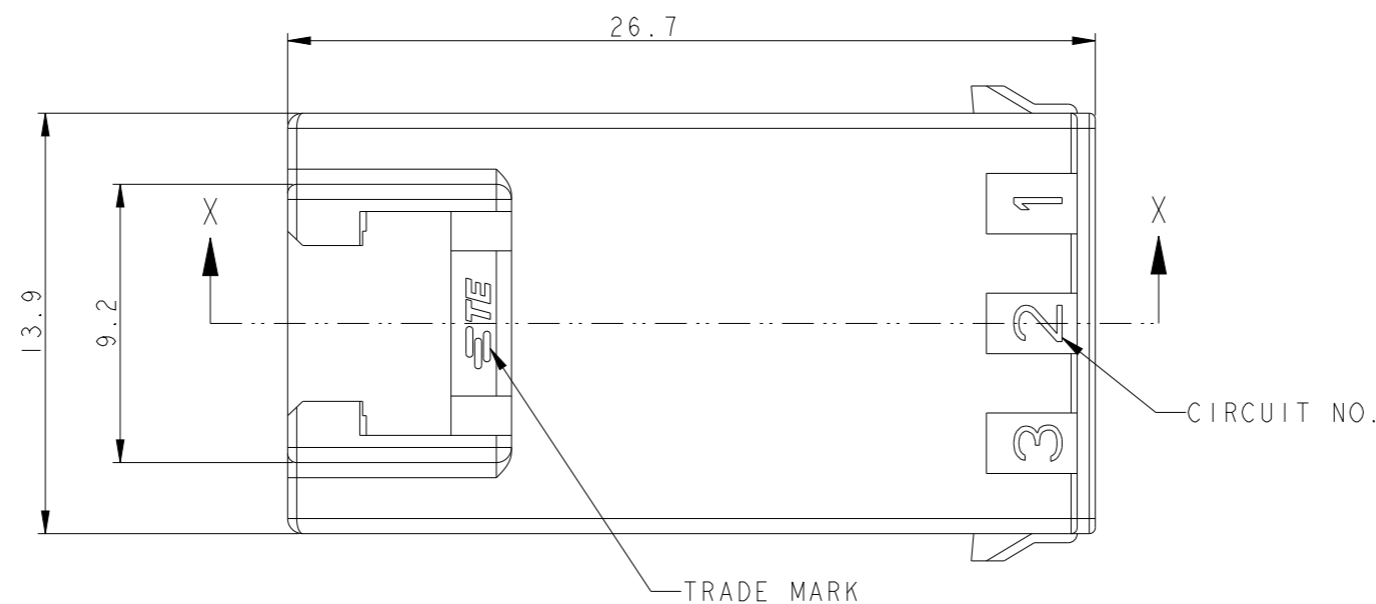
4. GENERAL TOLERANCES: ±0.3

- 5. MATERIAL: PA66, UL94V-0, COMPLY WITH GLOW WIRE REQUIREMENT FOR PARTS OF NON-METALLIC MATERIAL SUPPORTING A CURRENT-CARRYING CONNECTION DETAILED IN IEC 60335-1, SECTION 30(GWT)

368572-9	BLACK
368572-6	BLUE
368572-4	YELLOW
368572-2	RED
368572-1	NATURAL
P/N	COLOR

THIS DRAWING IS A CONTROLLED DOCUMENT.		DWN SC KIM	 TE Connectivity				
DIMENSIONS: mm		CHK BW KANG				NAME PDL 3P CAP HSG 3.96mm F/H (GWT)	
		APVD JK SONG				PRODUCT SPEC 108-5410	
		PRODUCT SPEC 114-5175				APPLICATION SPEC	
MATERIAL 5		TOLERANCES UNLESS OTHERWISE SPECIFIED: 0 PLC ±. 1 PLC ±. 2 PLC ±. 3 PLC ±. 4 PLC ±. ANGLES ±. FINISH -	WEIGHT -	SIZE A3	CAGE CODE 00779	DRAWING NO C-368572	RESTRICTED TO
CUSTOMER DRAWING			SCALE 2:1	SHEET 1 OF 2	REV B3		

P	LTR	DESCRIPTION	DATE	DWN	APVD
		SEE SHEET 1			



NOTES,

- APPLICABLE TAB TERMINAL:  
-TAB CONTACT: 177917-□, 2369503-□ (AWG#16-#20)  
177916-□, 2369502-□ (AWG#22-#26)
- MATING CONN.P/N:  
-PLUG HSG: 5-368571-□  
-REC CONTACT: 1743729-□, 2369500-□, □-2232901-□ (AWG#16-#20)  
: 1743728-□, 2369501-□, □-2232902-□ (AWG#22-#26)
- APPLICABLE DOUBLE LOCK PLATE:  
-FOR AWG#20: 2-2360442-0 AND 2-2360443-0  
-FOR AWG#24: 2-2360442-4 AND 2-2360443-4
- GENERAL TOLERANCES: ±0.3

5 MATERIAL: PA66, UL94V-0,  
COMPLY WITH GLOW WIRE REQUIREMENT FOR PARTS OF  
NON-METALLIC MATERIAL SUPPORTING A CURRENT-CARRYING  
CONNECTION DETAILED IN IEC 60335-1, SECTION 30(GWT)

PRELIMINARY	C	YELLOW	5-368572-4
	B	RED	5-368572-2
	A	NATURAL	5-368572-1
	KEYING	COLOR	P/N

THIS DRAWING IS A CONTROLLED DOCUMENT.		DWN SC KIM	27APR2020	<b>TE Connectivity</b>	
DIMENSIONS: mm		CHK -	-		
		TOLERANCES UNLESS OTHERWISE SPECIFIED:		NAME FOAMING PROOF CAP HSG 3P	
		0 PLC ±	1 PLC ±	APVD DANIEL ZHANG	27APR2020
		2 PLC ±	3 PLC ±	PRODUCT SPEC 108-5410	SIZE A3
		4 PLC ±	ANGLES ±	APPLICATION SPEC 114-5175	
MATERIAL 5		FINISH -	-	WEIGHT -	DRAWING NO C-368572
CUSTOMER DRAWING				SCALE 4:1	RESTRICTED TO SHEET 2 OF 2
				REV B3	

## X-ON Electronics

Largest Supplier of Electrical and Electronic Components

*Click to view similar products for [Headers & Wire Housings](#) category:*

*Click to view products by [TE Connectivity](#) manufacturer:*

Other Similar products are found below :

[892-18-020-10-001101](#) [58102-G61-06LF](#) [582553-1](#) [0009485154](#) [009176003701906](#) [0050291907](#) [LY20-4P-DT1-P1E-BR](#) [02.125.8002.8](#)  
[609-3404](#) [61062-3](#) [61082-181009](#) [622-3653LF](#) [63453-116](#) [636-1030](#) [636-1427](#) [636-3427](#) [636-4007](#) [641938-9](#) [641991-4](#) [644827-2](#) [65817-](#)  
[010LF](#) [65817-015LF](#) [65863-015LF](#) [66207-023LF](#) [67095-007LF](#) [67601157](#) [68645-018](#) [68648-049](#) [70.362.1628.0](#) [70-4210](#) [70-4226B](#) [70-](#)  
[4853B](#) [707-5020](#) [707-5028](#) [71.350.2428.0](#) [71918-208LF](#) [71961-016LF](#) [733-134](#) [733-162](#) [754199-000](#) [760-3052](#) [787-8014-00](#) [79531-3000](#)  
[FCN-360C032-B](#) [FCN-367T-T012/H](#) [FCN-723D010/2](#) [80.063.4001.1](#) [800-90-001-10-001000](#) [800-90-010-10-002000](#) [801-43-002-10-013000](#)