

THIS DRAWING IS UNPUBLISHED.

RELEASED FOR PUBLICATION

,19

© COPYRIGHT 19

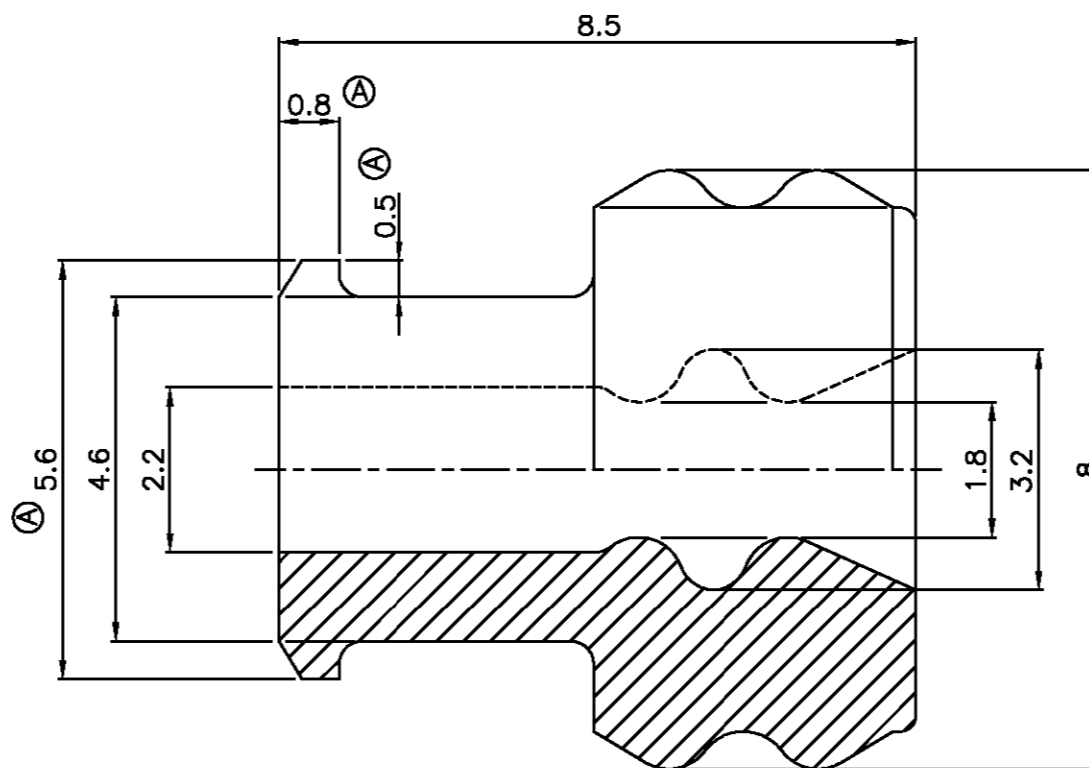
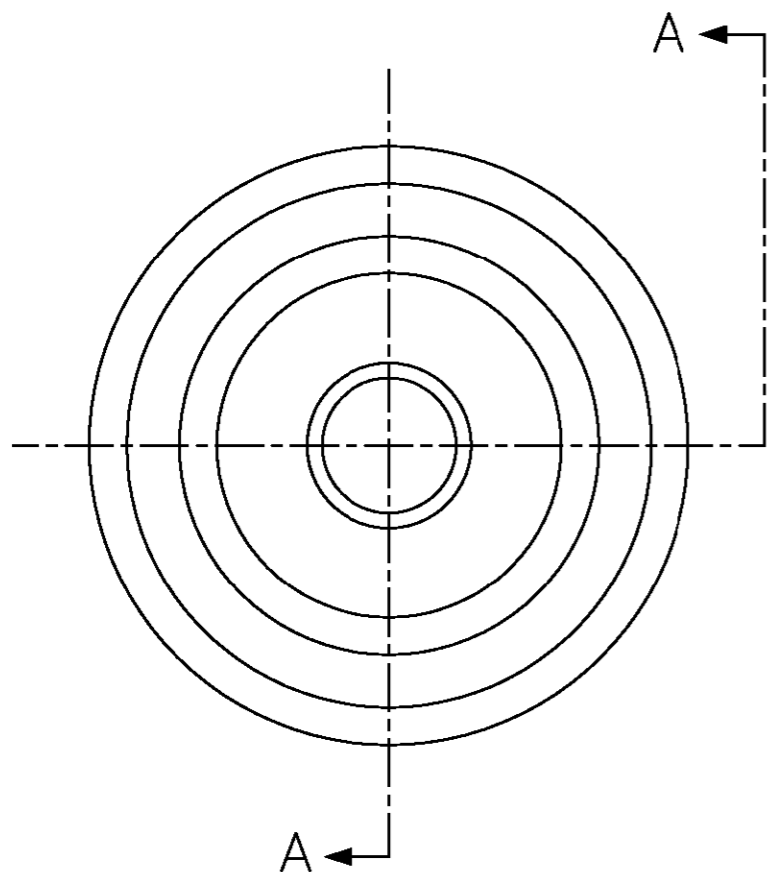
BY AMP INCORPORATED. ALL RIGHTS RESERVED.

LDC DS

DIST

REVISIONS

P	LTR	DESCRIPTION	DATE	DWN	APVD
0		RELEASED (FC00-0060-00)	'00 22/MAY	YD	CS
A		REVISED (FC00-0065-02)	'02 18/APR	YD	CS



SECT A-A

NOTE :

P/N	MATERIAL	COLOR	HARNESS	INSULATION ϕ
368941-1	SILICONE	BLACK	45 \pm 5'	ϕ 2.4-3.2mm

THIS DRAWING IS A CONTROLLED DOCUMENT FOR AMP INCORPORATED. IT IS SUBJECT TO CHANGE AND THE CONTROLLING ENGINEERING ORGANIZATION SHOULD BE CONTACTED FOR THE LATEST REVISION.

DIMENSIONS: MM		TOLERANCES UNLESS OTHERWISE SPECIFIED:		DWN		AMP AMP KOREA. kyungsan, korea	
3rd ANGLE PROJECTION		0<XX<10 \pm 0.2 10<XX<30 \pm 0.25 30<XX<100 \pm 0.3 ANGLES \pm 3°		CHK			
MATERIAL		FINISH		APVD		NAME .187 RUBBER PLUG WIRE SEAL (INSULATION DIA: 2.4 - 3.2)	
				PRODUCT SPEC		SIZE	
				APPLICATION SPEC		CAGE CODE	
				WEIGHT 0.26 g		DRAWING NO	
						A3 00779	
						SCALE 10/1 SHEET 1 OF 1 REV A	

X-ON Electronics

Largest Supplier of Electrical and Electronic Components

Click to view similar products for [Automotive Connectors](#) category:

Click to view products by [TE Connectivity](#) manufacturer:

Other Similar products are found below :

[003-018-000](#) [60993906-B](#) [M902-2131](#) [M902-2161](#) [M902-2344](#) [72.330.1035.1](#) [73.353.4028.0](#) [F166900](#) [F358300-B](#) [F407400](#) [776880-1](#)
[827153-1](#) [8N1515-32-24P](#) [9-1326729-8](#) [925474-1](#) [928905-1](#) [964562-4](#) [968782-1](#) [98891-1012](#) [12004475-L](#) [12020308](#) [12041318-B](#)
[12052466](#) [12059716](#) [12064869](#) [12015909](#) [1-21030-1](#) [12041254](#) [12041318](#) [12047946-B](#) [12110546-B](#) [12131792](#) [12084688](#) [12092346](#)
[HD34-18-14PT](#) [HD46-24-23SN-059](#) [HDB36-24-16PN-059](#) [HDP26-24-9SE-L015](#) [12185280](#) [12185550](#) [12336-12](#) [12191172-B](#) [12S](#)
[13545280](#) [13577943](#) [13681974](#) [13737722-B](#) [13830674](#) [13832576](#) [13849772](#)