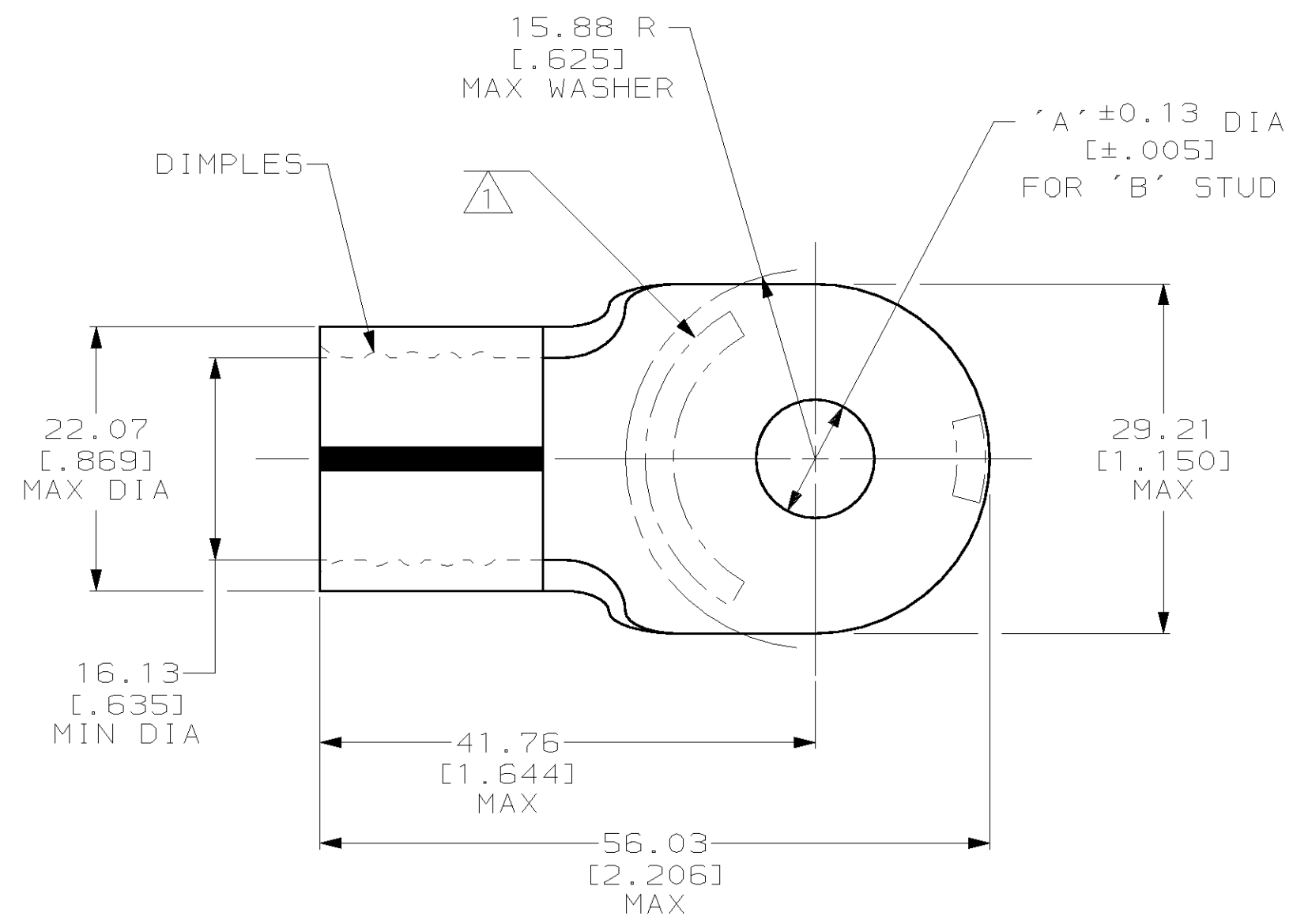


THIS DRAWING IS UNPUBLISHED. RELEASED FOR PUBLICATION ,19 .  
 © COPYRIGHT 19 BY AMP INCORPORATED. ALL RIGHTS RESERVED.

| LOC | DIST | REVISIONS |     |                      |         |     |      |
|-----|------|-----------|-----|----------------------|---------|-----|------|
|     |      | P         | LTR | DESCRIPTION          | DATE    | DWN | APVD |
| G   | 14   |           | M   | REV PER 0G3A-0529-01 | 28SEP01 | JR  | MJS  |



|                               |                                   |
|-------------------------------|-----------------------------------|
| <b>AMP</b><br>WIRE RANGE      | <b>UL</b> E13288<br>Listed        |
| 4/0 AWG<br>SOLID OR STRANDED  | 4/0 AWG<br>SOLID OR STRANDED      |
| <b>SF</b> LR7189<br>Certified | <b>MILITARY P/N<br/>AND CLASS</b> |
| 4/0 AWG<br>SOLID OR STRANDED  | NOT<br>APPLICABLE                 |

- ① STAMP AMP 4/OW\* 200 APPROX AS SHOWN
- ② MATERIAL THK: 2.59 ±0.08 [.102 ±.003]
- ③ TIN PL 0.00254 [.000100] MIN THK PER ASTM B 545
- ④ NICKEL PL 0.00762 [.000300] MIN THK PER QQ-N-290
- ⑤ SEE RESTRICTED CUSTOMER DRAWING 2-36932-5
- ⑥ SEE RESTRICTED CUSTOMER DRAWING 2-36932-6

| OBSOLETE | 9.91 [.390]   | 3/8 | ④ -    | 2-36932-7          |
|----------|---|-----|--------|--------------------|
| ⑥        | -   | -   | -      | 2-36932-6          |
| ⑤        | -   | -   | -      | 2-36932-5          |
|          | 6.73 [.265] <sup>+0.38 [.015]</sup> <sub>-0.13 [.005]</sub> | 1/4 | ③ -    | 2-36932-2          |
|          | 9.91 [.390]   | 3/8 | ③ -    | 36932              |
|          | 'A'   | 'B' | FINISH | AMP<br>PART NUMBER |

**AMP INCORPORATED**  
**CUSTOMER SERVICE SYSTEMS**

|  |  |  |
|--|--|--|
| FOR ADDITIONAL PRODUCT INFORMATION OR COPIES OF DRAWINGS AND TECHNICAL DOCUMENTS | PRODUCT INFORMATION CENTER<br>1-800-522-6752 | RECOMMENDED OPERATING TEMPERATURE:<br>170°C MAX  |
| FOR APPLICATION TOOLING INFORMATION  | TOOLING ASSISTANCE CENTER<br>1-800-722-1111  | VOLTAGE RATING:<br>NOT APPLICABLE  |
| FOR ORDER ENTRY  | 1-800-526-5142                               | WIRE CROSS SECTIONAL AREA RANGE:<br>96.3-117.0mm <sup>2</sup> [190,000-231,100] CIR MILS<br>STRANDED |

THIS DRAWING IS A CONTROLLED DOCUMENT FOR AMP INCORPORATED. IT IS SUBJECT TO CHANGE AND THE CONTROLLING ENGINEERING ORGANIZATION SHOULD BE CONTACTED FOR THE LATEST REVISION.

|  |  |
|--|--|
| DIMENSIONS:<br>mm [INCHES]                       | TOLERANCES UNLESS OTHERWISE SPECIFIED: |
|  | 0 PLC ±-                               |
|  | 1 PLC ±-                               |
|  | 2 PLC ±0.20 [.008]                     |
|  | 3 PLC ±-                               |
|  | 4 PLC ±-                               |
|  | ANGLES ±-                              |
| MATERIAL<br>COPPER<br>PER ASTM B-152<br>ANNEALED | FINISH<br>-                            |

|                               |   |
|-------------------------------|---|
| DWN<br>DK SCHRUM<br>15MAY96   | <b>AMP</b><br>AMP Incorporated<br>Harrisburg, PA 17105-3608 |
| CHK<br>DM SWARTZ<br>01JUL96   |   |
| APVD<br>JL MECKLEY<br>01JUL96 |   |
| PRODUCT SPEC<br>-             | NAME<br>TERMINAL, RING TONGUE,<br>SOLISTRAND                |
| APPLICATION SPEC<br>-         | SIZE<br>A3  |
| WEIGHT<br>-                   | CAGE CODE<br>00779  |
| CUSTOMER DRAWING              | DRAWING NO<br>C-36932                                       |
|                               | SCALE<br>2:1  |
|                               | SHEET<br>1 OF 1   |
|                               | REV<br>M  |

## X-ON Electronics

Largest Supplier of Electrical and Electronic Components

*Click to view similar products for [Terminals](#) category:*

*Click to view products by [TE Connectivity](#) manufacturer:*

Other Similar products are found below :

[00-054007-01074-6](#) [00-054007-70206-1](#) [00-054007-70210-8](#) [00-054007-70217-7](#) [00-054007-70226-9](#) [00-054007-70228-3](#) [00-054007-70248-1](#) [00-054007-70256-6](#) [00-054007-70301-3](#) [00-054007-70316-7](#) [00-054007-49560-4](#) [00-054007-70209-2](#) [00-054007-70225-2](#) [00-054007-70227-6](#) [00-054007-70231-3](#) [00-054007-70241-2](#) [00-054007-70242-9](#) [00-054007-70244-3](#) [00-054007-70246-7](#) [00-054007-70263-4](#) [00-054007-70288-7](#) [00-054007-70290-0](#) [00-054007-70300-6](#) [00-054007-70304-4](#) [01-2065-1-0216](#) [01-2900-1-04412](#) [00581P0075](#) [600TS-10](#) [60205-1](#) [604200-1](#) [605601-1](#) [60598-1-CUT-TAPE](#) [61314-6-C](#) [61810-3](#) [61-S](#) [61-SN](#) [626-0194](#) [62-NBM-A](#) [62-SN](#) [62-SP](#) [63-S](#) [640179-1](#) [M55155/059I03](#) [M55155/079C01](#) [M55155/099H02](#) [M55155/109H01](#) [M55155/109H02](#) [M55155/12XH05](#) [M55155/16XH02](#) [M55155/29-5S](#)