

4

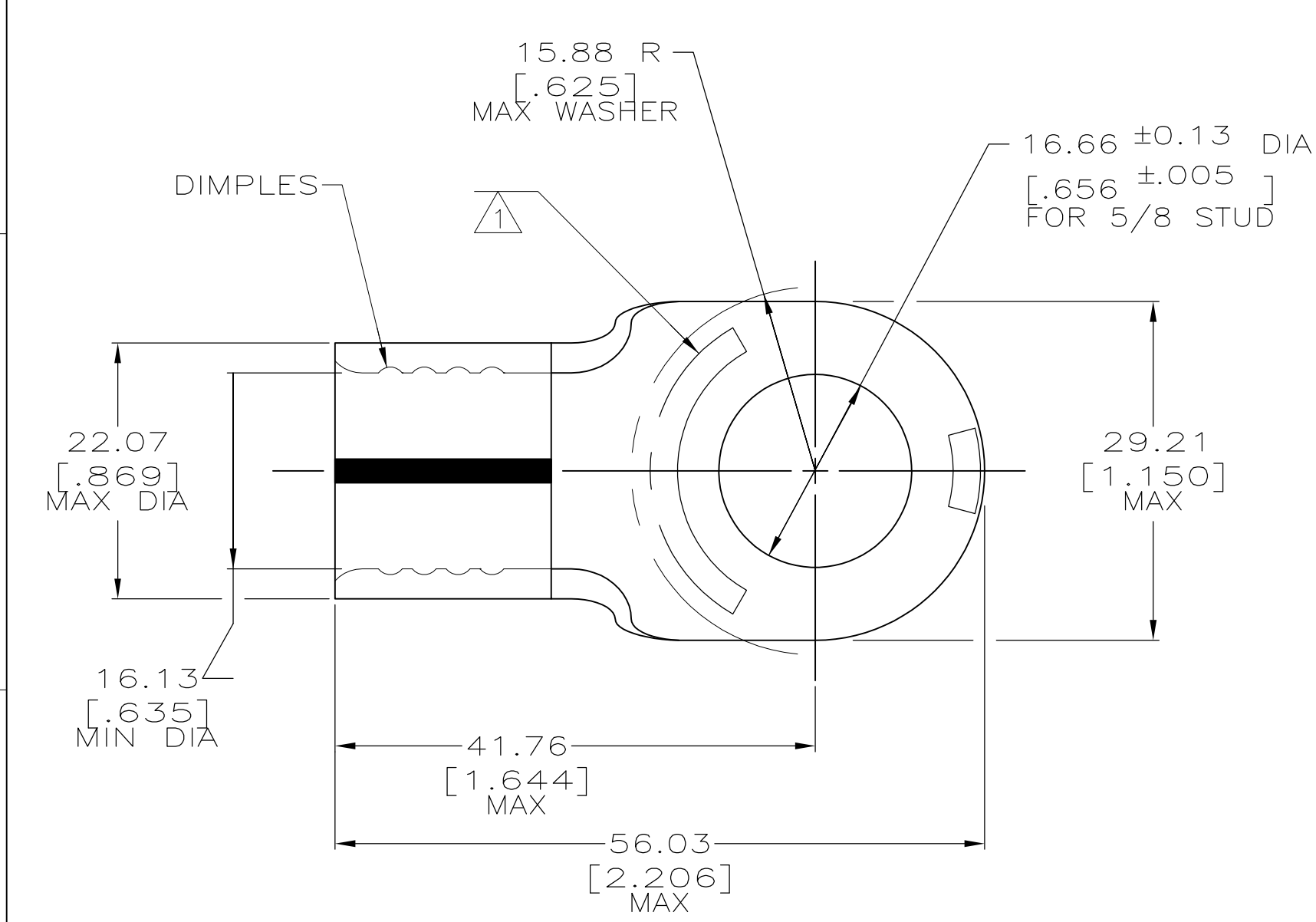
3

2

1

THIS DRAWING IS UNPUBLISHED. RELEASED FOR PUBLICATION  
 © COPYRIGHT BY TYCO ELECTRONICS CORPORATION. ALL INTERNATIONAL RIGHTS RESERVED.

| LOC | DIST | REVISIONS |     |                       |         |     |      |
|-----|------|-----------|-----|-----------------------|---------|-----|------|
|     |      | P         | LTR | DESCRIPTION           | DATE    | DWN | APVD |
| G   | 14   |           |     |                       |         |     |      |
|     |      | G1        |     | REV PER ECR 09-026553 | 08DEC09 | JR  | TM   |



|                              |                              |                              |
|------------------------------|------------------------------|------------------------------|
| <b>AMP</b><br>WIRE RANGE     | Listed<br>FILE E13288        | LR7189<br>Certified          |
| 4/0 AWG<br>SOLID OR STRANDED | 4/0 AWG<br>SOLID OR STRANDED | 4/0 AWG<br>SOLID OR STRANDED |

- ① STAMP AMP 4/0W\* 200 APPROX AS SHOWN
- ② MATERIAL THK: 2.59 ± 0.08 [.102 ± 0.003]
- ③ SEE RESTRICTED CUSTOMER DRAWING 36935-1
- ④ COPPER PER ASTM B-152, ANNEALED
- ⑤ TIN PLATE 0.00254 [.000100] MIN PER B-545
- ⑥ MEETS MS20659-159, CLASS 2

|             |         |
|-------------|---------|
| OBSOLETE ③  | 36935-1 |
| ⑥           | 36935   |
| PART NUMBER |         |

|   |  |
|---|--|
| <b>CUSTOMER SERVICE SYSTEMS</b>   |  |
| FOR ADDITIONAL PRODUCT INFORMATION OR COPIES OF DRAWINGS AND TECHNICAL DOCUMENTS                  | PRODUCT INFORMATION CENTER<br>1-800-522-6752 |
| FOR APPLICATION TOOLING INFORMATION   | TOOLING ASSISTANCE CENTER<br>1-800-722-1111  |
| FOR ORDER ENTRY   | 1-800-526-5142                               |
| RECOMMENDED OPERATING TEMPERATURE:<br>170° C MAX  |  |
| VOLTAGE RATING:<br>NOT APPLICABLE   |  |
| WIRE CROSS SECTIONAL AREA RANGE:<br>96.3-117.0mm <sup>2</sup> [190,000-231,100] CIR MILS STRANDED |  |

|  |  |
|--|--|
| THIS DRAWING IS A CONTROLLED DOCUMENT. |  |
| DIMENSIONS:<br>mm [INCHES]             | TOLERANCES UNLESS OTHERWISE SPECIFIED: |
|  | 0 PLC ± -                              |
|  | 1 PLC ± -                              |
|  | 2 PLC ± 0.20 [.008]                    |
|  | 3 PLC ± -                              |
|  | 4 PLC ± -                              |
|  | ANGLES ± -                             |
| MATERIAL - ④                           | FINISH - ⑤                             |

|                         |   |           |              |               |
|-------------------------|---|-----------|--------------|---------------|
| DWN DK SCHRUM 15MAY96   | Tyco Electronics Corporation<br>Harrisburg, PA 17105-3608 |           |              |               |
| CHK DM SWARTZ 01JUL96   |   |           |              |               |
| APVD JL MECKLEY 01JUL96 | NAME  |           |              |               |
| PRODUCT SPEC            | TERMINAL, RING TONGUE, SOLISTRAND                         |           |              |               |
| APPLICATION SPEC        | SIZE  | CAGE CODE | DRAWING NO   | RESTRICTED TO |
| WEIGHT -                | A3  | 00779     | G-36935      | -             |
| CUSTOMER DRAWING        |   | SCALE 2:1 | SHEET 1 OF 1 | REV G1        |

## X-ON Electronics

Largest Supplier of Electrical and Electronic Components

*Click to view similar products for [Terminals](#) category:*

*Click to view products by [TE Connectivity](#) manufacturer:*

Other Similar products are found below :

[00-054007-01074-6](#) [00-054007-70206-1](#) [00-054007-70210-8](#) [00-054007-70217-7](#) [00-054007-70226-9](#) [00-054007-70228-3](#) [00-054007-70248-1](#) [00-054007-70256-6](#) [00-054007-70301-3](#) [00-054007-70316-7](#) [0-0320562-0](#) [00-054007-49560-4](#) [00-054007-70209-2](#) [00-054007-70225-2](#) [00-054007-70227-6](#) [00-054007-70231-3](#) [00-054007-70241-2](#) [00-054007-70242-9](#) [00-054007-70244-3](#) [00-054007-70246-7](#) [00-054007-70263-4](#) [00-054007-70288-7](#) [00-054007-70290-0](#) [00-054007-70300-6](#) [00-054007-70304-4](#) [01-2065-1-0216](#) [01-2900-1-04412](#) [00581P0075](#) [600TS-10](#) [60205-1](#) [604200-1](#) [605601-1](#) [60598-1-CUT-TAPE](#) [61314-6-C](#) [61810-3](#) [61-S](#) [61-SN](#) [626-0194](#) [62-NBM-A](#) [62-SN](#) [62-SP](#) [63-S](#) [640179-1](#) [M55155/059I03](#) [M55155/079C01](#) [M55155/099H02](#) [M55155/109H01](#) [M55155/109H02](#) [M55155/12XH05](#) [M55155/16XH02](#)