

4

3

2

1

THIS DRAWING IS UNPUBLISHED.

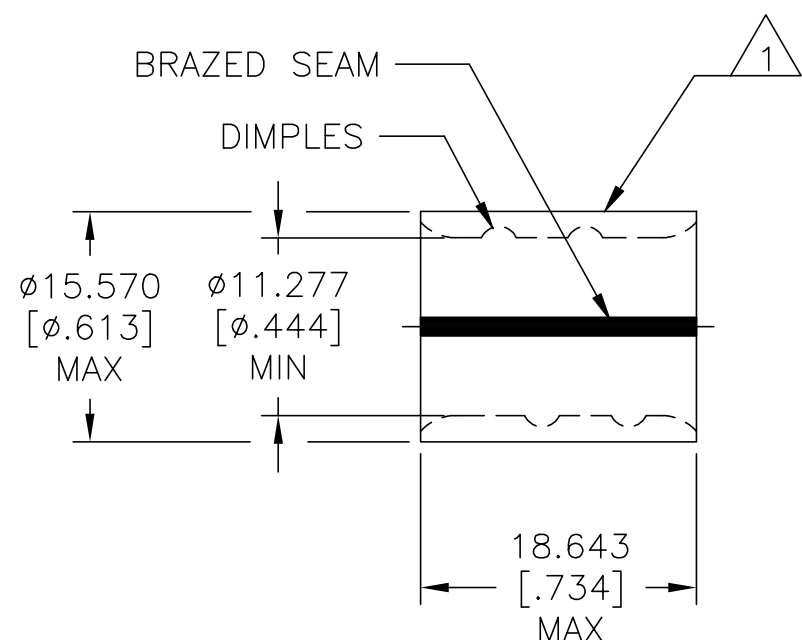
RELEASED FOR PUBLICATION

REVISIONS

© COPYRIGHT - By - ALL RIGHTS RESERVED.

P	LTR	DESCRIPTION	DATE	DWN	APVD
	H2	REVISED PER ECO-20-001609	04MAR2020	SM	DR

AMP WIRE RANGE	 Listed FILE E13288	 LR7189 Certified
1/0 AWG SOLID OR STRANDED	1/0 AWG SOLID OR STRANDED	1/0 AWG SOLID OR STRANDED



- 1 STAMP AMP 1/0W* 100
LOCATE APPROX AS SHOWN.
- 2 MATERIAL THK.: 1.780±0.076[.070±.003].
- 3 TIN PL 0.00254 [.000100] MIN. EXT. THK. PER ASTM B545.
- 4 NOTE DELETED.
- 5 NOTE DELETED.
- 6 STAMP FOR MANUFACTURING LOCATION OR CODE PERMISSIBLE.
- 7 COPPER PER ASTM B-152, ANNEALED.
- 8 NOTE DELETED.
- 9 0.00254 [.000100] MIN. EXT. THK. TIN/LEAD (60/40) PLATE
PER SAE-AMS-P-81728.
- 10 NOT UL OR CSA APPROVED.
- 11 NICKEL PLATE 0.00762[.000300] MIN. EXT. THK. PER
SAE AMS QQ-N-290.

343°C[650°F]	11	50	LOOSE PIECE	10 36946-3
170°C[338°F]	9	100	LOOSE PIECE	10 36946-2
170°C[338°F]	3	50	LOOSE PIECE	36946
MAX. OPERATING TEMPERATURE	FINISH	QTY.	PACKAGE TYPE	PART NO.

AMP INCORPORATED
CUSTOMER SERVICE SYSTEMS

MAX RECOMMENDED OPERATING TEMPERATURE:
SEE TABLE

THIS DRAWING IS A CONTROLLED DOCUMENT.

DWN	DK SCHRUM	5/21/93
CHK	RD HEIM	5/21/93
APVD	CR RHOADS	5/21/93

STE TE Connectivity

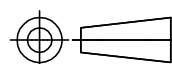
FOR ADDITIONAL
PRODUCT INFORMATION OR
COPIES OF DRAWINGS
AND TECHNICAL DOCUMENTS

PRODUCT INFORMATION CENTER
1-800-522-6752

VOLTAGE RATING:
N/A

DIMENSIONS:
mm [INCHES]

TOLERANCES UNLESS
OTHERWISE SPECIFIED:



0 PLC	± -
1 PLC	± -
2 PLC	±
3 PLC	± 0.127[.005]
4 PLC	± -
ANGLES	± -

NAME
SPLICE, PARALLEL, SOLISTRAND
1/0 AWG

FOR APPLICATION
TOOLING INFORMATION

TOOLING ASSISTANCE CENTER
1-800-722-1111

CIRCULAR MIL AREA:
42.4-60.6mm² [83,700-119,500]
SOLID OR STRANDED

MATERIAL



FINISH

SEE TABLE

SIZE	CAGE CODE	DRAWING NO	RESTRICTED TO
A3	00779	C=36946	-

FOR ORDER ENTRY
1-800-526-5142

THIS DRAWING IS A CONTROLLED DOCUMENT FOR
AMP INCORPORATED. IT IS SUBJECT TO CHANGE
AND THE CONTROLLING ENGINEERING ORGANIZATION
SHOULD BE CONTACTED FOR THE LATEST REVISION.

CUSTOMER DRAWING SCALE 2:1 SHEET 1 OF 1 REV H2

X-ON Electronics

Largest Supplier of Electrical and Electronic Components

Click to view similar products for [Terminals](#) category:

Click to view products by [TE Connectivity](#) manufacturer:

Other Similar products are found below :

[00-054007-01074-6](#) [00-054007-70206-1](#) [00-054007-70210-8](#) [00-054007-70217-7](#) [00-054007-70226-9](#) [00-054007-70228-3](#) [00-054007-70248-1](#) [00-054007-70256-6](#) [00-054007-70301-3](#) [00-054007-70316-7](#) [00-054007-49560-4](#) [00-054007-70209-2](#) [00-054007-70225-2](#) [00-054007-70227-6](#) [00-054007-70231-3](#) [00-054007-70241-2](#) [00-054007-70242-9](#) [00-054007-70244-3](#) [00-054007-70246-7](#) [00-054007-70263-4](#) [00-054007-70288-7](#) [00-054007-70290-0](#) [00-054007-70300-6](#) [00-054007-70304-4](#) [01-2065-1-0216](#) [01-2900-1-04412](#) [00581P0075](#) [600TS-10](#) [60205-1](#) [604200-1](#) [605601-1](#) [60598-1-CUT-TAPE](#) [61314-6-C](#) [61810-3](#) [61-S](#) [61-SN](#) [626-0194](#) [62-NBM-A](#) [62-SN](#) [62-SP](#) [63-S](#) [640179-1](#) [M55155/059I03](#) [M55155/079C01](#) [M55155/099H02](#) [M55155/109H01](#) [M55155/109H02](#) [M55155/12XH05](#) [M55155/16XH02](#) [M55155/29-5S](#)