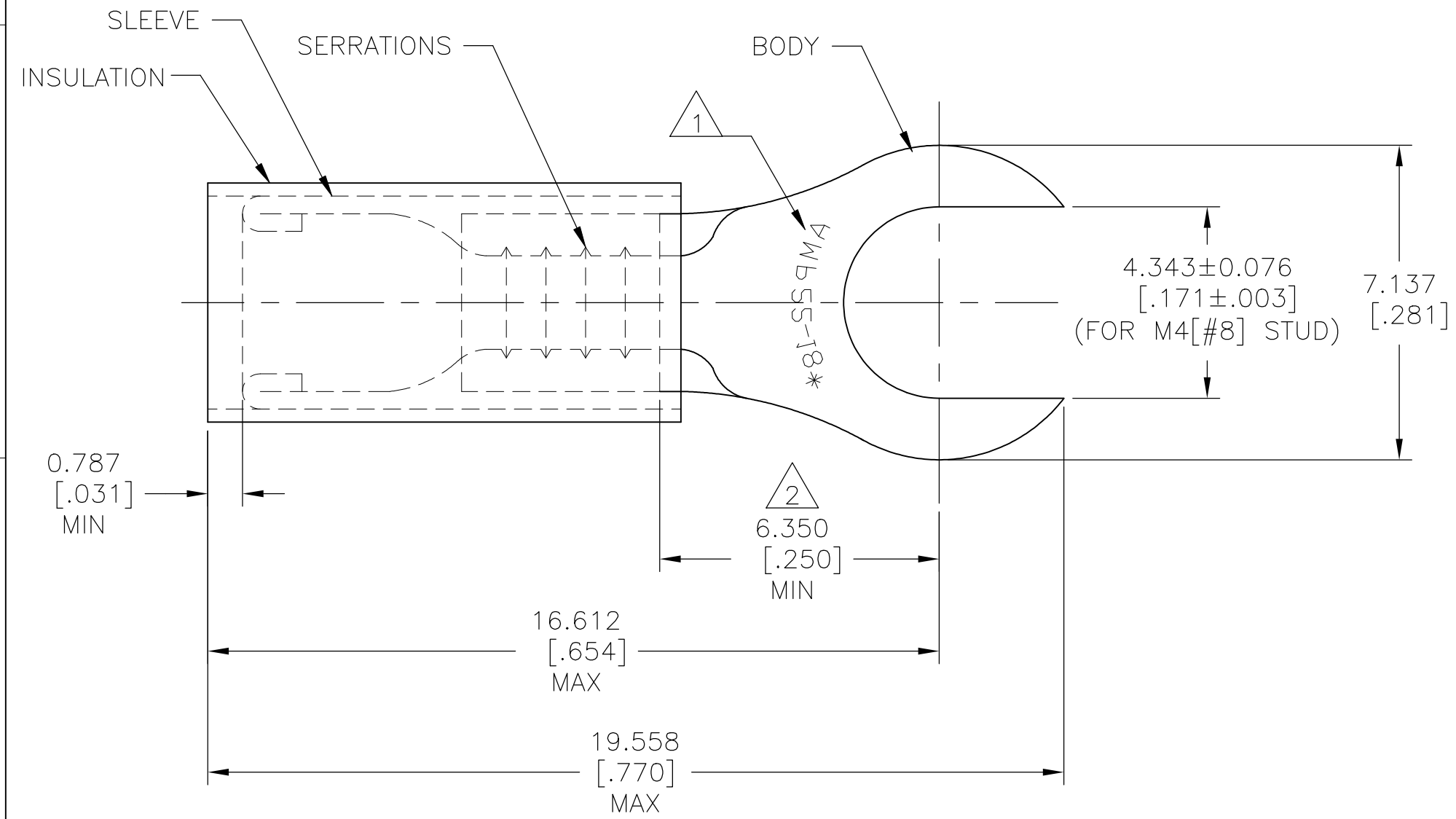


REVISIONS				
P	LTR	DESCRIPTION	DATE	APVD
	K2	REVISED PER ECO-17-008114	08JUN2018	RS DR

AMP WIRE RANGE	E13288 Listed	LR7189 Certified
22-16 AWG SOLID OR STRANDED	22-16 AWG SOLID OR STRANDED	22-16 AWG SOLID OR STRANDED



- 1 MARKING 22-18 FOR MILITARY COMMERCIAL RANGE 22-16
- 2 APPLIES FROM EDGE OF METAL WIRE BARREL TO CENTER OF STUD HOLE
- 3 FOR 2.667 TO 3.556 [.105 TO .140] WIRE INSULATION DIA
- 4 BODY MATERIAL THK: 0.787±0.051 [.031±.002]
- 5 MATERIAL:
BODY & SLEEVE: COPPER PER ASTM B152
INSULATION: NYLON
- 6 FINISH:
BODY & SLEEVE TIN PLATE PER ASTM B545
0.00254 [.000100]
INSULATION: COLOR - RED

100	LOOSE PC, BOX	8-36954-1
1000	LOOSE PIECE	36954
QTY	DESCRIPTION	PART NO

AMP INCORPORATED CUSTOMER SERVICE SYSTEMS		THIS DRAWING IS A CONTROLLED DOCUMENT.		DWN RAVI S 08JUN2018	TE Connectivity Ltd.			
FOR ADDITIONAL PRODUCT INFORMATION OR COPIES OF DRAWINGS AND TECHNICAL DOCUMENTS PRODUCT INFORMATION CENTER 1-800-522-6752		DIMENSIONS: mm [INCHES]		CHK ROHDE DANIEL 08JUN2018				
FOR APPLICATION TOOLING ASSISTANCE CENTER TOOLING INFORMATION 1-800-722-1111		MAX RECOMMENDED OPERATING TEMPERATURE: 105°C [221°F]		APVD ROHDE DANIEL 08JUN2018	NAME WIRE TERMINAL P.I.D.G. - RING TONGUE WIRE SIZE: 22-16 AWG			
FOR ORDER ENTRY 1-800-526-5142		VOLTAGE RATING: 300 V MAX		PRODUCT SPEC UL 486 A-B	SIZE A3	CAGE CODE 00779	DRAWING NO C-36954	RESTRICTED TO -
WIRE CROSS SECTIONAL AREA RANGE, 0.26-1.65mm²[509-3,260] CIR MILS SOLID OR STRANDED		MATERIAL 5		TOLERANCES UNLESS OTHERWISE SPECIFIED: 0 PLC ± - 1 PLC ± - 2 PLC ± - 3 PLC ± 0.127[.005] 4 PLC ± - ANGLES ± 5°	FINISH 6	SCALE NTS		SHEET 1 OF 1
CUSTOMER DRAWING				WEIGHT		REV K2		

X-ON Electronics

Largest Supplier of Electrical and Electronic Components

Click to view similar products for [Terminals](#) category:

Click to view products by [TE Connectivity](#) manufacturer:

Other Similar products are found below :

[00-054007-01074-6](#) [00-054007-70206-1](#) [00-054007-70210-8](#) [00-054007-70217-7](#) [00-054007-70226-9](#) [00-054007-70228-3](#) [00-054007-70248-1](#) [00-054007-70256-6](#) [00-054007-70301-3](#) [00-054007-70316-7](#) [0-0320562-0](#) [00-054007-49560-4](#) [00-054007-70209-2](#) [00-054007-70225-2](#) [00-054007-70227-6](#) [00-054007-70231-3](#) [00-054007-70241-2](#) [00-054007-70242-9](#) [00-054007-70244-3](#) [00-054007-70246-7](#) [00-054007-70263-4](#) [00-054007-70288-7](#) [00-054007-70290-0](#) [00-054007-70300-6](#) [00-054007-70304-4](#) [01-2065-1-0216](#) [01-2900-1-04412](#) [00581P0075](#) [600TS-10](#) [60205-1](#) [604200-1](#) [605601-1](#) [60598-1-CUT-TAPE](#) [61314-6-C](#) [61810-3](#) [61-S](#) [61-SN](#) [626-0194](#) [62-NBM-A](#) [62-SN](#) [62-SP](#) [63-S](#) [640179-1](#) [M55155/059I03](#) [M55155/079C01](#) [M55155/099H02](#) [M55155/109H01](#) [M55155/109H02](#) [M55155/12XH05](#) [M55155/16XH02](#)