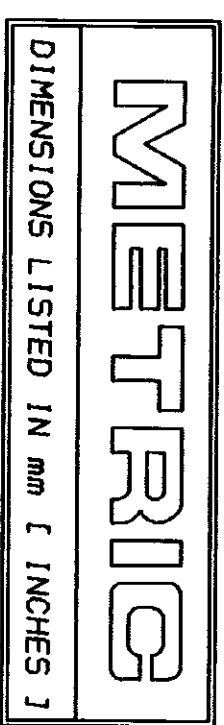


THIS DRAWING IS UNPUBLISHED. RELEASED FOR PUBLICATION BY AMP INCORPORATED. ALL INTERNATIONAL RIGHTS RESERVED. 19

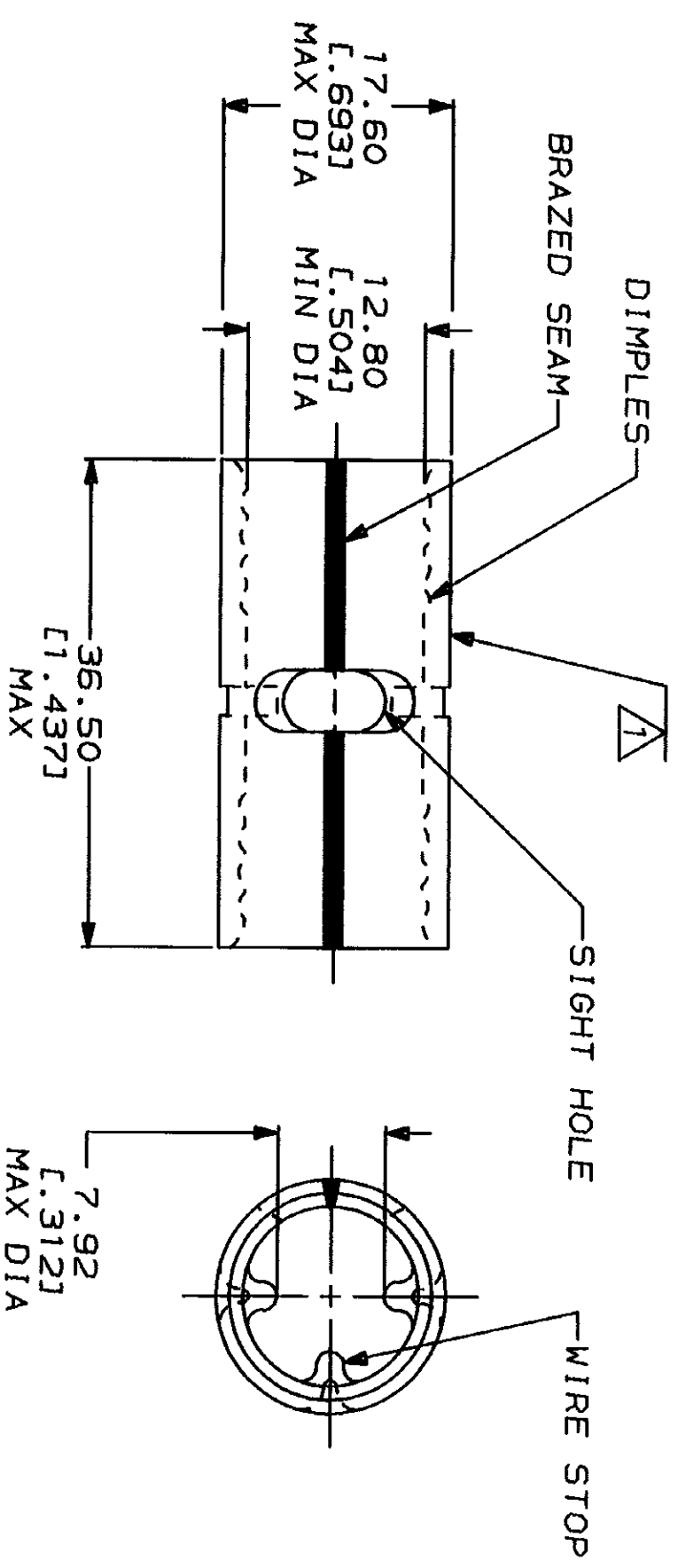
AMP PART NO	MATERIAL	PKG TYPE	QTY
8-36958-3	M/F 8-36958-0	BOX	25
8-36958-5	M/F 8-36958-0	BAG	5

LOC	DIST	P	F	ZONE	LTR	DESCRIPTION	DATE	APPD
6	14				C	REVISED & REDRAWN PER 0720-0037-93	5/24/99	5 PER



AMP WIRE RANGE	UL E13288 Listed
2/0 AWG SOLID OR STRANDED	2/0 AWG SOLID OR STRANDED

AMP WIRE RANGE	MILITARY P/N AND CLASS
2/0 AWG SOLID OR STRANDED	LR7189 Certified NOT APPLICABLE



1 STAMP AMP 2/0W* APPROX AS SHOWN
 2 MATERIAL THK: 2.03±0.08 [1.080 ±.003]

AMP INCORPORATED
 CUSTOMER SERVICE SYSTEMS

FOR ADDITIONAL PRODUCT INFORMATION OR COPIES OF DRAWINGS AND TECHNICAL DOCUMENTS
 1-800-522-6752
 PRODUCT INFORMATION CENTER

FOR APPLICATION TOOLING INFORMATION
 1-800-722-1111
 TOOLING ASSISTANCE CENTER

MAX RECOMMENDED OPERATING TEMPERATURE: 170°C MAX
 VOLTAGE RATING: NOT APPLICABLE
 CIRCULAR MIL AREA: 60.6-76.3mm² [119,500-150,500] CIR MILS
 SOLID OR STRANDED

FOR ORDER ENTRY
 1-800-526-5142

DO NOT SCALE PRINT. DIMENSIONS ON DRAWINGS ARE TO BE USED AS SHOWN. TOLERANCES ON DIMENSIONS: 2 PLG DEC ± 0.20(0.008) ANGLES ± . . . MATERIAL COPPER PER ASTM B-152 ANNEALED
 FINISH TIN PLATE 0.00254(1.000100) MIN THK PER MIL-T-10727

DR	S/R/SS	OR	DATE
CHK	DK	DK	1/27/94
APPD	RD	RD	1/27/94
APPD	RE	RE	1/27/94
APPD	JE	JE	1/27/94

AMP	AMP Incorporated
36958	AMP Incorporated
00779	Harrisburg, PA 17105-3608
00779	SPLICE, BUTT, SOLISTRAND™
2:1	SCALE
00779	CASE CODE
36958	DRAWING NO
1 OF 1	SHEET

X-ON Electronics

Largest Supplier of Electrical and Electronic Components

Click to view similar products for [Terminals](#) category:

Click to view products by [TE Connectivity](#) manufacturer:

Other Similar products are found below :

[00-054007-01074-6](#) [00-054007-70206-1](#) [00-054007-70210-8](#) [00-054007-70217-7](#) [00-054007-70226-9](#) [00-054007-70228-3](#) [00-054007-70248-1](#) [00-054007-70256-6](#) [00-054007-70301-3](#) [00-054007-70316-7](#) [0-0320562-0](#) [00-054007-49560-4](#) [00-054007-70209-2](#) [00-054007-70225-2](#) [00-054007-70227-6](#) [00-054007-70231-3](#) [00-054007-70241-2](#) [00-054007-70242-9](#) [00-054007-70244-3](#) [00-054007-70246-7](#) [00-054007-70263-4](#) [00-054007-70288-7](#) [00-054007-70290-0](#) [00-054007-70300-6](#) [00-054007-70304-4](#) [01-2065-1-0216](#) [01-2900-1-04412](#) [00581P0075](#) [600TS-10](#) [60205-1](#) [604200-1](#) [605601-1](#) [60598-1-CUT-TAPE](#) [61314-6-C](#) [61810-3](#) [61-S](#) [61-SN](#) [626-0194](#) [62-NBM-A](#) [62-SN](#) [62-SP](#) [63-S](#) [640179-1](#) [M55155/059I03](#) [M55155/079C01](#) [M55155/099H02](#) [M55155/109H01](#) [M55155/109H02](#) [M55155/12XH05](#) [M55155/16XH02](#)