

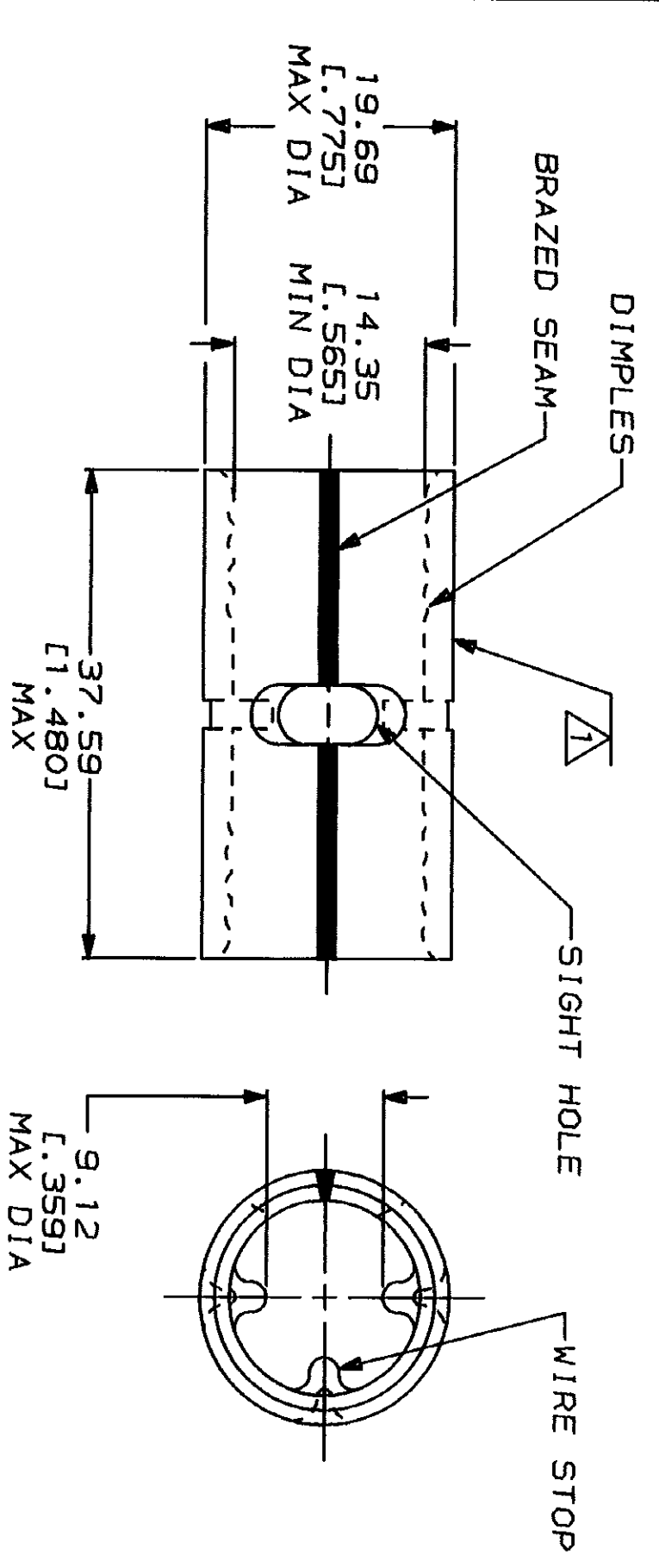
THIS DRAWING IS UNPUBLISHED. RELEASED FOR PUBLICATION BY AMP INCORPORATED. ALL INTERNATIONAL RIGHTS RESERVED. 19

AMP PART NO	MATERIAL	PKG TYPE	QTY
8-36959-3	M/F 8-36959-0	BOX	25

LOC	DIST	P	F	ZONE	LTR	DESCRIPTION	DATE	APPD
G	14				C	REVISED & REDRAWN PER 0720-0037-93	5/24/93	PER

**METRIC**  
DIMENSIONS LISTED IN MM [ INCHES ]

<b>AMP</b> WIRE RANGE	<b>IL</b> E13288 Listed
3/0 AWG SOLID OR STRANDED	3/0 AWG SOLID OR STRANDED
<b>IL</b> LR7189 Certified	MILITARY P/N AND CLASS
3/0 AWG SOLID OR STRANDED	NOT APPLICABLE



1 STAMP AMP 3/0W\* APPROX AS SHOWN  
2 MATERIAL THK: 2.31 ± 0.08 [ .091 ± .003 ]

AMP INCORPORATED  
CUSTOMER SERVICE SYSTEMS

MAX RECOMMENDED OPERATING TEMPERATURE:  
170°C MAX

FOR ADDITIONAL PRODUCT INFORMATION OR COPIES OF DRAWINGS AND TECHNICAL DOCUMENTS

VOLTAGE RATING:  
NOT APPLICABLE

FOR APPLICATION

CIRCULAR MIL AREA:  
76.3-96.3mm² [ 150,500-190,000 ] CIR MILS  
SOLID OR STRANDED

TOOLING INFORMATION

FINISH: TIN PLATE  
0.00254 [ .000100 ] MIN THK PER MIL-T-10727

AMP 1470-15 REV 3-92  
04-FEB-94 07:46:10 AMP26463 /files/dept1123/dwg1123/u.solidstrand/u.but-splice

36959  
PART NO

AMP Incorporated  
Harrisburg, PA 17105-3608

SPLICE, BUTT,  
SOLISTRAND™

SIZE: B  
CAGE CODE: 00779  
DRAWING NO: 36959  
SCALE: 2:1  
SHEET: 1 OF 1

CUSTOMER DRAWING

## X-ON Electronics

Largest Supplier of Electrical and Electronic Components

*Click to view similar products for [Terminals](#) category:*

*Click to view products by [TE Connectivity](#) manufacturer:*

Other Similar products are found below :

[00-054007-01074-6](#) [00-054007-70206-1](#) [00-054007-70210-8](#) [00-054007-70217-7](#) [00-054007-70226-9](#) [00-054007-70228-3](#) [00-054007-70248-1](#) [00-054007-70256-6](#) [00-054007-70301-3](#) [00-054007-70316-7](#) [0-0320562-0](#) [00-054007-49560-4](#) [00-054007-70209-2](#) [00-054007-70225-2](#) [00-054007-70227-6](#) [00-054007-70231-3](#) [00-054007-70241-2](#) [00-054007-70242-9](#) [00-054007-70244-3](#) [00-054007-70246-7](#) [00-054007-70263-4](#) [00-054007-70288-7](#) [00-054007-70290-0](#) [00-054007-70300-6](#) [00-054007-70304-4](#) [01-2065-1-0216](#) [01-2900-1-04412](#) [00581P0075](#) [600TS-10](#) [60205-1](#) [604200-1](#) [605601-1](#) [60598-1-CUT-TAPE](#) [61314-6-C](#) [61810-3](#) [61-S](#) [61-SN](#) [626-0194](#) [62-NBM-A](#) [62-SN](#) [62-SP](#) [63-S](#) [640179-1](#) [M55155/059I03](#) [M55155/079C01](#) [M55155/099H02](#) [M55155/109H01](#) [M55155/109H02](#) [M55155/12XH05](#) [M55155/16XH02](#)