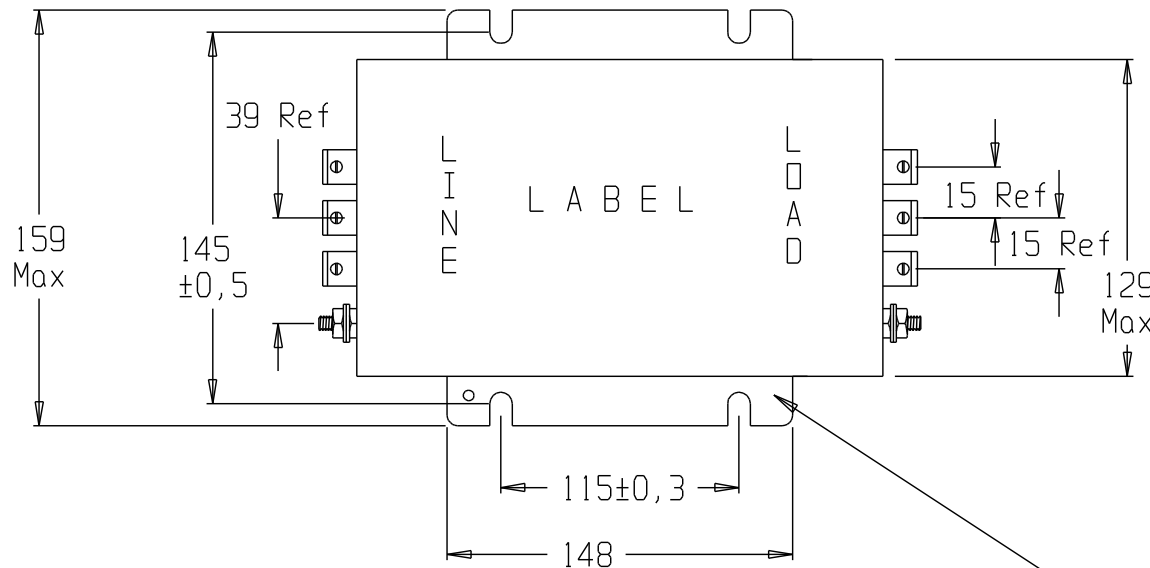
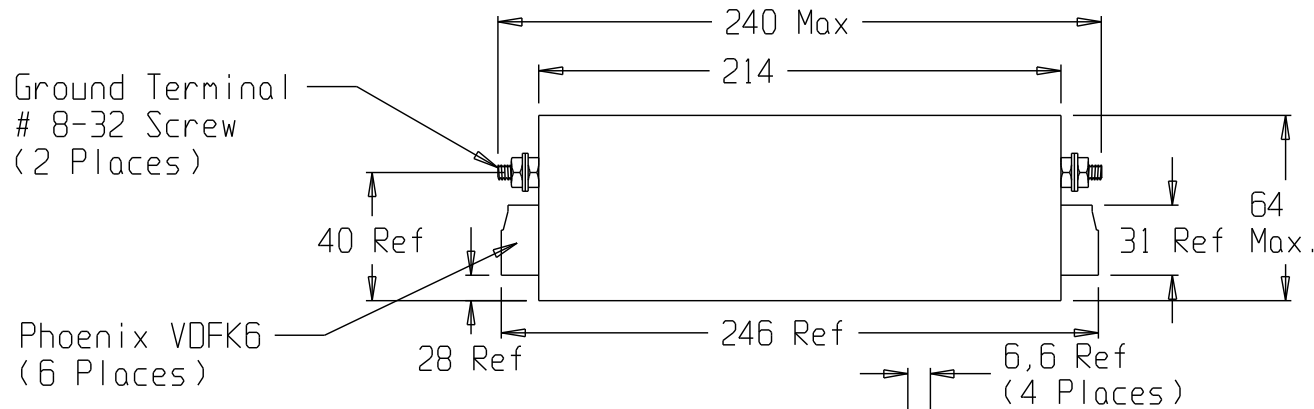


CUSTOMER DRAWING

| EC # | APPRVD. | DATE | REV. |
|------|---------|------|------|
| /    | /       | /    | /    |



1,0 Mat.Thickness

SPECIFICATION

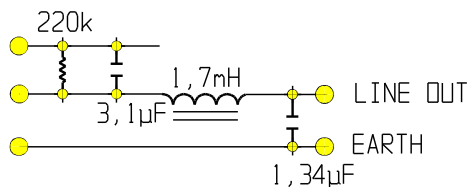
36Amp /40°C 50-60Hz

440VAC Phase to Phase  
250VAC Phase to Neutral/Gnd

ATTENUATION

Comm.Mode - 66dB $\mu$ V at 100kHz  
Dif.Mode - 80dB $\mu$ V at 100kHz

EQUIVALENT SCHEMATIC MEASURED AT 1kHz



Max. Leakage current at 10% unsymmetrical mains, each Line to Ground:  
2,5mA at 120V 60Hz  
4,3mA at 250V 50Hz

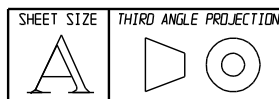
PARTS SHALL COMPLY WITH TYCO ELECTRONICS 230-702 SPECIFICATION FOR HAZARDOUS SUBSTANCES



CORCOM PRODUCTS, 620 S. BUTTERFIELD RD. MUNDELEIN IL 60060

CUSTOMER DRAWING

|                                     |  |            |  |               |          |      |
|-------------------------------------|--|------------|--|---------------|----------|------|
| TYCO ELECTRONICS PART NO. 6609070-5 |  | SCALE: NTS |  | DATE: 16FEB07 | ORG. NO. | REV. |
| DRW. BY: MS                         |  | DRG: MS    |  | 36FCD10       |          | B    |



THIS INFORMATION IS CONFIDENTIAL AND PROPRIETARY TO TYCO ELECTRONICS CORPORATION AND ITS WORLDWIDE SUBSIDIARIES AND AFFILIATES. IT MAY NOT BE DISCLOSED TO ANYONE OTHER THAN TYCO ELECTRONICS PERSONEL, WITHOUT WRITTEN AUTHORIZATION FROM TYCO ELECTRONICS CORPORATION. HARRISBURG, PENNSYLVANIA USA

## X-ON Electronics

Largest Supplier of Electrical and Electronic Components

*Click to view similar products for [Power Line Filters](#) category:*

*Click to view products by [TE Connectivity](#) manufacturer:*

Other Similar products are found below :

[6609019-3](#) [6609026-5](#) [6609030-6](#) [6609973-2](#) [D30A](#) [7-1609090-5](#) [F2810](#) [F4456A](#) [F7382Z](#) [F7863Z](#) [FAHAV3100ZC000](#) [806276](#) [FN2020B-1-06](#) [FN2080B-10-06](#) [FN2410H-32-33](#) [FP144](#) [FS4153-20-06](#) [FS4353-500-99](#) [12-MMB-030-11-D](#) [DB4-393](#) [15811T200](#) [20B1](#) [LC630](#) [2B1](#) [1609080-2](#) [1609993-8](#) [1-6609070-1](#) [F1100AA02](#) [F1150CC10](#) [F1500CA10](#) [F1500CA15](#) [F4041Z](#) [F7585E](#) [1B1](#) [FN2070A-16-06](#) [FN2090A-20-06](#) [FN2090B-12-06](#) [FN2090Z-1-06](#) [FN2410H-25-33](#) [FN2410H-60-34](#) [FN2410H-8-44](#) [FN2412H-8-44](#) [FN323B-6-01](#) [FN3258H-130-35](#) [FN610R-3-06](#) [20EHQ7](#) [20EHZ7](#) [20K1](#) [30B6](#) [3K1](#)