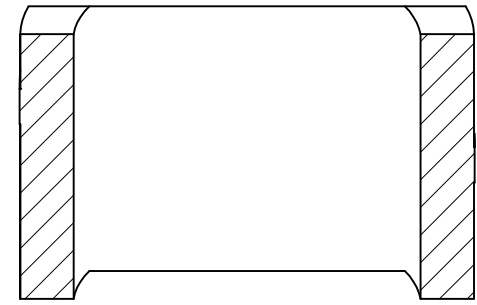
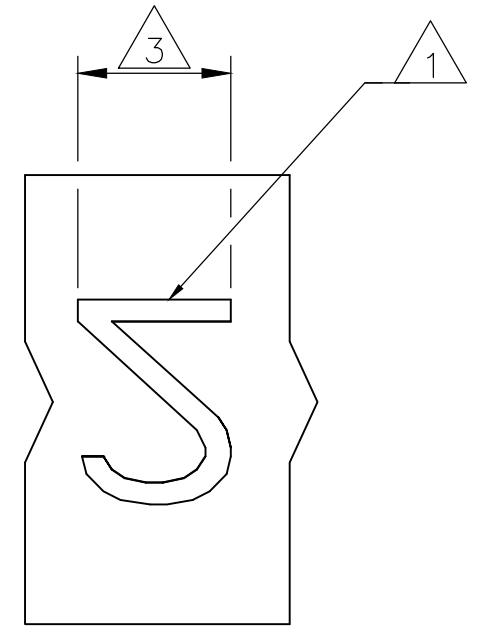
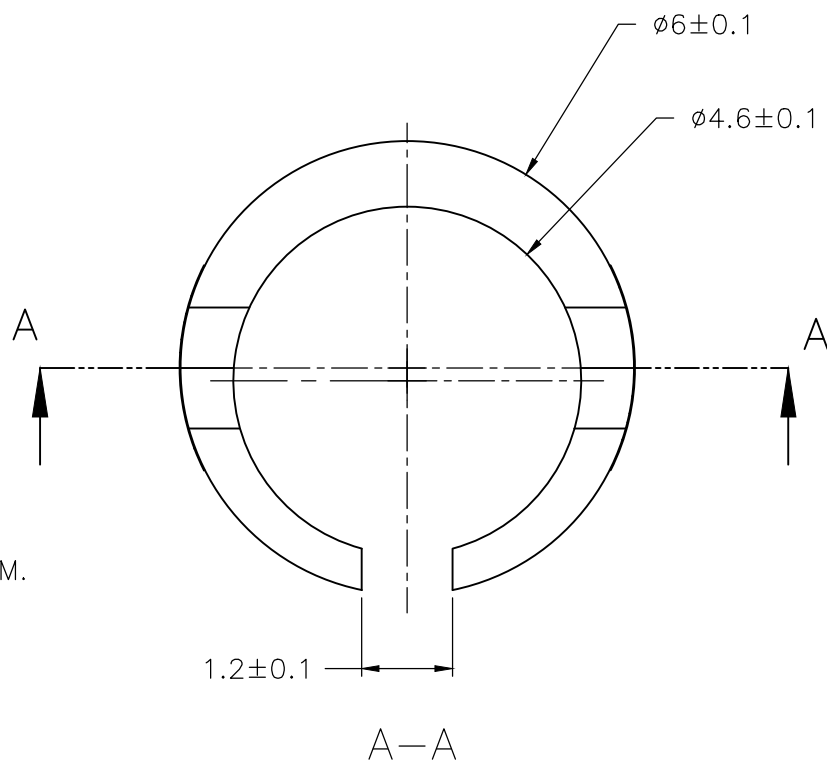
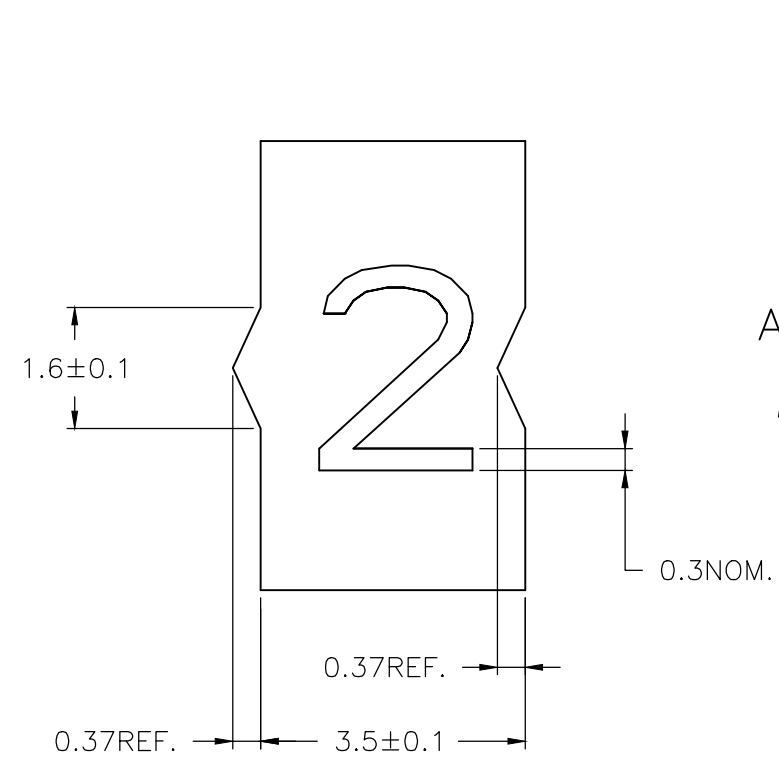


| P | LTR | DESCRIPTION               | DATE      | DWN | APVD |
|---|-----|---------------------------|-----------|-----|------|
| 3 |     | REVISED PER ECR-20-010947 | 04AUG2020 | GK  | KA   |

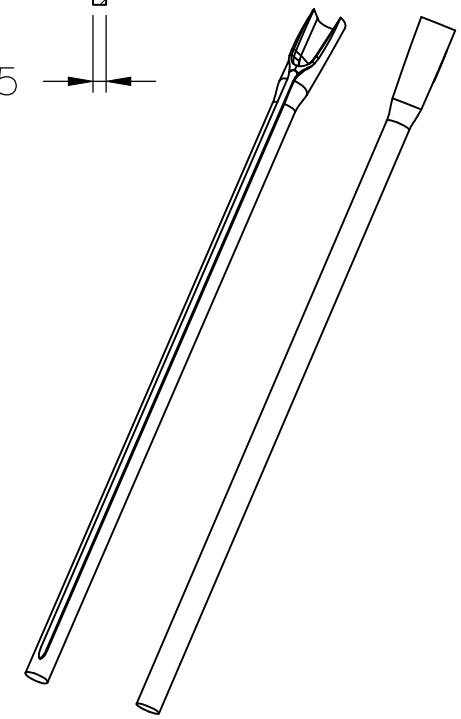
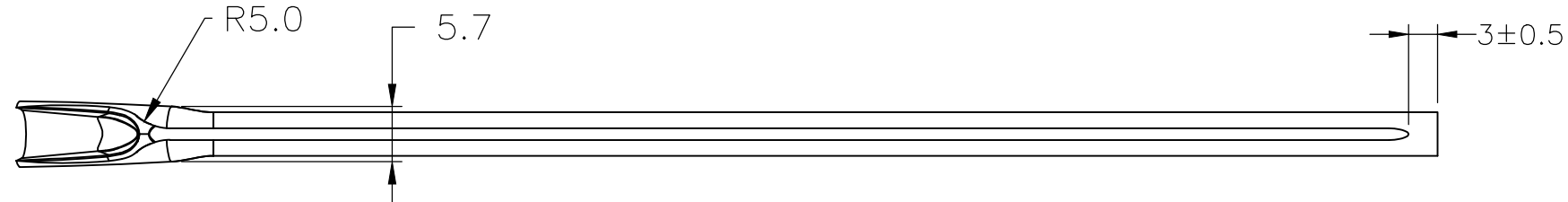
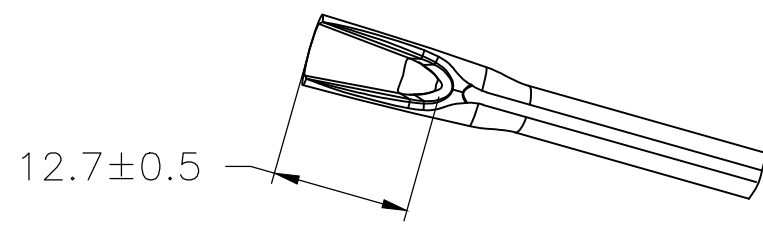
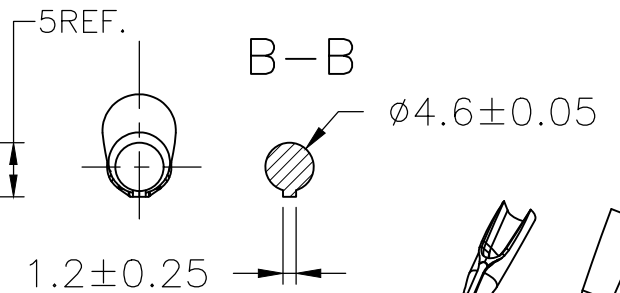
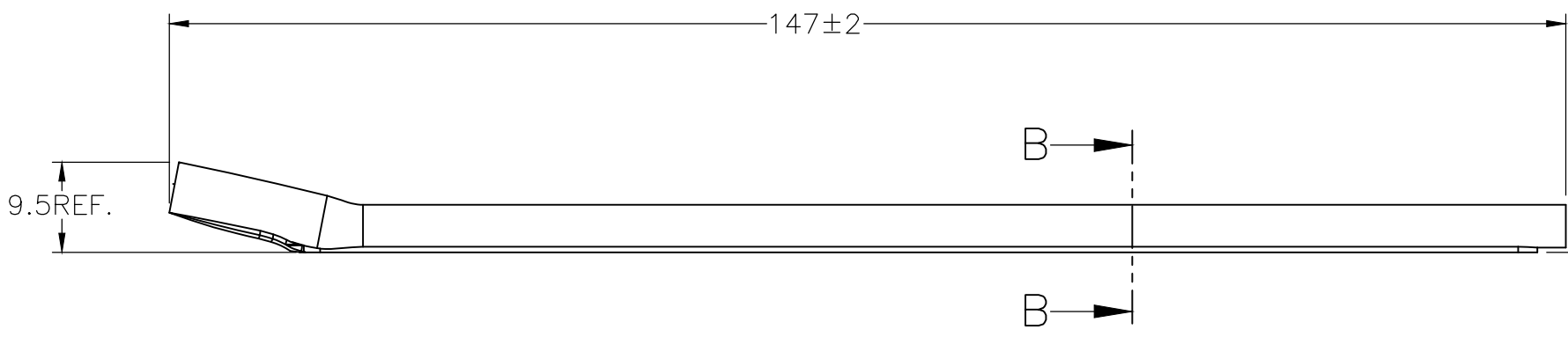
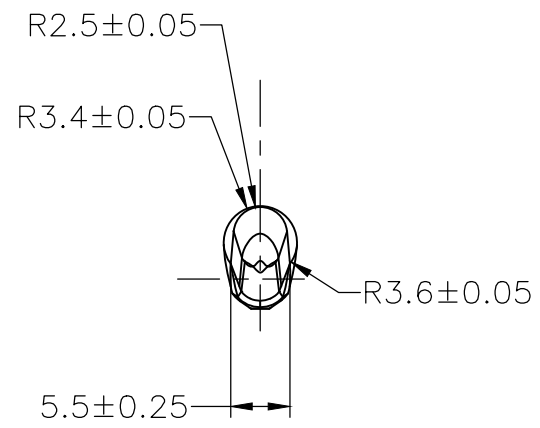
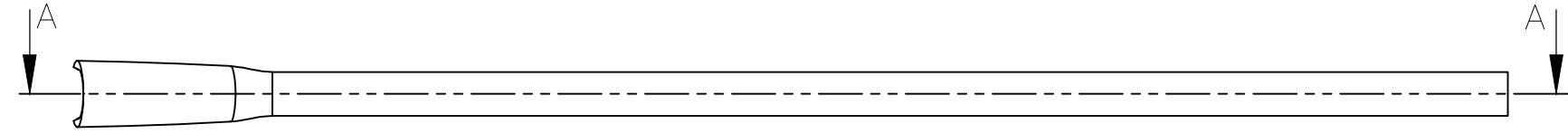
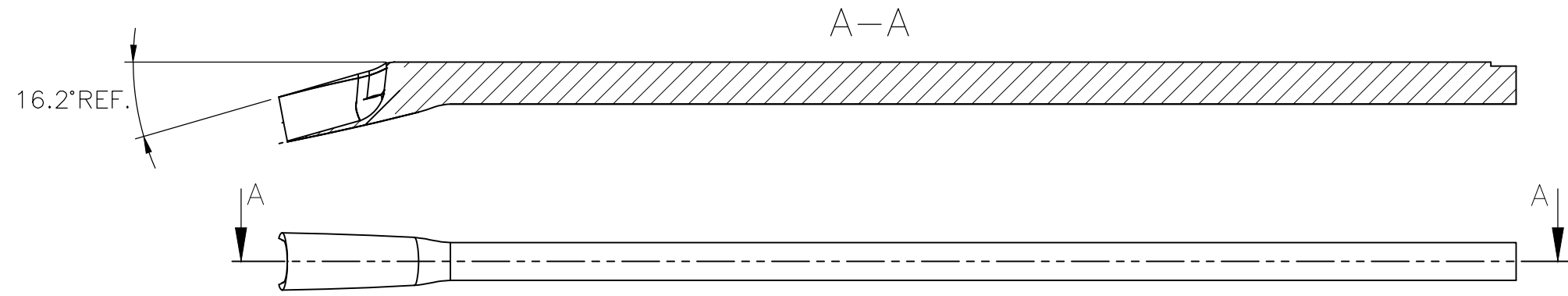



NOTE:

- △1 FOR PART NUMBERS SEE SHEET 3 OF 3.
- △2 MARK SHOULD BE CENTRALLY POSITIONED ±0.1mm.
- △3 WIDTH OF MARK DEPENDS ON CHARACTER PRINTED

|  |     |                                    |  |              |                    |                           |                    |       |     |       |     |        |     |                   |   |  |  |
|--|-----|------------------------------------|--|--------------|--------------------|---------------------------|--------------------|-------|-----|-------|-----|--------|-----|-------------------|---|--|--|
| THIS DRAWING IS A CONTROLLED DOCUMENT.   |     | DWN<br>RAGHAVENDRA K<br>25MAR2013  | TE Connectivity  |              |                    |                           |                    |       |     |       |     |        |     |                   |   |  |  |
| DIMENSIONS:<br>mm  |     | CHK<br>KEAN ALAN<br>25MAR2013      |  |              |                    |                           |                    |       |     |       |     |        |     |                   |   |  |  |
| TOLERANCES UNLESS OTHERWISE SPECIFIED:   |     | APVD<br>MARIO APPELLO<br>25MAR2013 | NAME<br>SNAP-ON MARKER STB/STD SIZE 12 WITH APPLICATOR |              |                    |                           |                    |       |     |       |     |        |     |                   |   |  |  |
| <table border="1"> <tr><td>0 PLC</td><td>± -</td></tr> <tr><td>1 PLC</td><td>± -</td></tr> <tr><td>2 PLC</td><td>± -</td></tr> <tr><td>3 PLC</td><td>± -</td></tr> <tr><td>4 PLC</td><td>± -</td></tr> <tr><td>ANGLES</td><td>± -</td></tr> </table> |     | 0 PLC                              | ± -  | 1 PLC        | ± -                | 2 PLC                     | ± -                | 3 PLC | ± - | 4 PLC | ± - | ANGLES | ± - | PRODUCT SPEC<br>- | - |  |  |
| 0 PLC  | ± - |                                    |  |              |                    |                           |                    |       |     |       |     |        |     |                   |   |  |  |
| 1 PLC  | ± - |                                    |  |              |                    |                           |                    |       |     |       |     |        |     |                   |   |  |  |
| 2 PLC  | ± - |                                    |  |              |                    |                           |                    |       |     |       |     |        |     |                   |   |  |  |
| 3 PLC  | ± - |                                    |  |              |                    |                           |                    |       |     |       |     |        |     |                   |   |  |  |
| 4 PLC  | ± - |                                    |  |              |                    |                           |                    |       |     |       |     |        |     |                   |   |  |  |
| ANGLES   | ± - |                                    |  |              |                    |                           |                    |       |     |       |     |        |     |                   |   |  |  |
| MATERIAL<br>-  |     | FINISH<br>-                        | APPLICATION SPEC<br>-                                  | SIZE<br>A3   | CAGE CODE<br>C2290 | DRAWING NO<br>C-1768045-1 | RESTRICTED TO<br>- |       |     |       |     |        |     |                   |   |  |  |
| CUSTOMER DRAWING   |     |                                    | WEIGHT<br>-  | SCALE<br>NTS | SHEET<br>1 OF 3    | REV<br>3                  |                    |       |     |       |     |        |     |                   |   |  |  |

| P | LTR | DESCRIPTION | DATE | DWN | APVD |
|---|-----|-------------|------|-----|------|
| - | -   | SEE SHEET 1 | -    | -   | -    |



|   |  |                                    |   |                 |                    |                           |                    |
|---|--|------------------------------------|---|-----------------|--------------------|---------------------------|--------------------|
| THIS DRAWING IS A CONTROLLED DOCUMENT.                                      |  | DWN<br>RAGHAVENDRA K<br>25MAR2013  |  TE Connectivity |                 |                    |                           |                    |
| DIMENSIONS:<br>mm   |  | CHK<br>KEAN ALAN<br>25MAR2013      |   |                 |                    |                           |                    |
| TOLERANCES UNLESS OTHERWISE SPECIFIED:                                      |  | APVD<br>MARIO APPELLO<br>25MAR2013 | NAME<br>SNAP-ON MARKER STB/STD SIZE 12 WITH APPLICATOR  |                 |                    |                           |                    |
| 0 PLC ± -<br>1 PLC ± -<br>2 PLC ± -<br>3 PLC ± -<br>4 PLC ± -<br>ANGLES ± - |  | PRODUCT SPEC<br>-                  | APPLICATION SPEC<br>-   |                 |                    |                           |                    |
| MATERIAL<br>-   |  | FINISH<br>-                        | WEIGHT<br>-   | SIZE<br>A3      | CAGE CODE<br>C2290 | DRAWING NO<br>C-1768045-1 | RESTRICTED TO<br>- |
| CUSTOMER DRAWING  |  |                                    | SCALE<br>NTS  | SHEET<br>2 OF 3 | REV<br>3           |                           |                    |

REVISIONS

| P | LTR | DESCRIPTION | DATE | DWN | APVD |
|---|-----|-------------|------|-----|------|
| - | -   | SEE SHEET 1 | -    | -   | -    |

| DESCRIPTION            | PART NO.               |
|------------------------|------------------------|
| STB12-0-0              | 4-1768039-4            |
| STB12-1-1              | 4-1768039-5            |
| STB12-2-2              | 4-1768039-6            |
| STB12-3-3              | 4-1768039-7            |
| STB12-5-5              | 4-1768039-8            |
| STB12-6-6              | 4-1768039-9            |
| STB12-7-7              | 5-1768039-0            |
| STB12-8-8              | 5-1768039-1            |
| STB12-BLANK-0          | 5-1768039-2            |
| STB12-BLANK-1          | 5-1768039-3            |
| STB12-BLANK-2          | 5-1768039-4            |
| STB12-BLANK-3          | 5-1768039-5            |
| STB12-BLANK-5          | 5-1768039-6            |
| STB12-BLANK-6          | 5-1768039-7            |
| STB12-BLANK-7          | 5-1768039-8            |
| STB12-BLANK-8          | 5-1768039-9            |
| STD12W/1-12            | 7-1768403-0            |
| STD12W-0               | 027608-000             |
| STD12W-1               | 028690-000             |
| STD12W-2               | 127922-000             |
| STD12W-3               | 869998-000             |
| STD12W-4               | 422284-000             |
| STD12W-5               | 329976-000             |
| STD12W-6               | 654200-000             |
| STD12W-7               | 727782-000             |
| STD12W-8               | 157886-000             |
| STD12W-9               | 612832-000             |
| STD12W-A               | 392758-000             |
| STD12W-AC              | 8-1768044-0            |
| STD12W-B               | 190370-000             |
| STD12W-BLANK           | 8-1768044-2            |
| STD12W-C               | 379242-000             |
| STD12W-COLON           | 227492-000             |
| STD12W-D               | 466552-000             |
| <del>STD12W-D-LC</del> | <del>8-1768044-4</del> |
| STD12W-DOT             | 8-1768044-5            |
| STD12W-E               | 952178-000             |

| DESCRIPTION  | PART NO.    |
|--------------|-------------|
| STD12W-EARTH | 8-1768044-6 |
| STD12W-F     | 242654-000  |
| STD12W-G     | 371912-000  |
| STD12W-H     | 544882-000  |
| STD12W-I     | 743644-000  |
| STD12W-J     | 925236-000  |
| STD12W-K     | 402858-000  |
| STD12W-L     | 372210-000  |
| STD12W-M     | 797170-000  |
| STD12W-MINUS | 9-1768044-3 |
| STD12W-N     | 224378-000  |
| STD12W-P     | 200490-000  |
| STD12W-PLUS  | 9-1768044-6 |
| STD12W-Q     | 881472-000  |
| STD12W-R     | 610526-000  |
| STD12W-S     | 958362-000  |
| STD12W-SLASH | 102828-000  |
| STD12W-T     | 080248-000  |
| STD12W-U     | 606344-000  |
| STD12W-V     | 244058-000  |
| STD12W-W     | 922324-000  |
| STD12W-X     | 151660-000  |
| STD12W-Y     | 976192-000  |
| STD12W-Z     | 928688-000  |
| STD12Y-0     | 9-1768044-8 |
| STD12Y-1     | 9-1768044-9 |
| STD12Y-2     | 1768045-1   |
| STD12Y-3     | 1768045-2   |
| STD12Y-4     | 1768045-3   |
| STD12Y-5     | 1768045-4   |
| STD12Y-6     | 1768045-5   |
| STD12Y-7     | 1768045-6   |
| STD12Y-8     | 1768045-7   |
| STD12Y-9     | 1768045-8   |
| STD12Y-A     | 1768045-9   |
| STD12Y-AC    | 1-1768045-0 |
| STD12W/1-48  | 8-1768710-0 |

| DESCRIPTION            | PART NO.               |
|------------------------|------------------------|
| STD12Y-B               | 1-1768045-2            |
| STD12Y-BLANK           | 1-1768045-3            |
| STD12Y-C               | 1-1768045-5            |
| STD12Y-COLON           | 1-1768045-6            |
| STD12Y-D               | 1-1768045-7            |
| STD12Y-DOT             | 1-1768045-9            |
| STD12Y-E               | 2-1768045-0            |
| STD12Y-EARTH           | 2-1768045-1            |
| STD12Y-F               | 2-1768045-3            |
| STD12Y-G               | 2-1768045-5            |
| <del>STD12Y-G-LC</del> | <del>2-1768045-6</del> |
| STD12Y-H               | 2-1768045-7            |
| STD12Y-I               | 2-1768045-9            |
| STD12Y-J               | 3-1768045-0            |
| STD12Y-K               | 3-1768045-1            |
| STD12Y-L               | 3-1768045-3            |
| STD12Y-M               | 3-1768045-5            |
| STD12Y-MINUS           | 3-1768045-6            |
| STD12Y-N               | 3-1768045-8            |
| STD12Y-P               | 4-1768045-0            |
| STD12Y-PLUS            | 4-1768045-1            |
| STD12Y-Q               | 4-1768045-2            |
| STD12Y-R               | 4-1768045-3            |
| STD12Y-S               | 4-1768045-5            |
| STD12Y-SLASH           | 4-1768045-6            |
| STD12Y-T               | 4-1768045-7            |
| STD12Y-U               | 4-1768045-8            |
| STD12Y-V               | 4-1768045-9            |
| STD12Y-W               | 5-1768045-0            |
| STD12Y-X               | 5-1768045-1            |
| STD12Y-Y               | 5-1768045-2            |
| STD12Y-Z               | 5-1768045-3            |



OBSOLETE PART



|  |  |                                 |  |               |
|--|--|---------------------------------|--|---------------|
| THIS DRAWING IS A CONTROLLED DOCUMENT. |  | DWN 25MAR2013<br>RAGHAVENDRA K  | TE Connectivity  |               |
|  |  | CHK 25MAR2013<br>KEAN ALAN      |  |               |
|  |  | APVD 25MAR2013<br>MARIO APPELLO | NAME<br>SNAP-ON MARKER STB/STD SIZE 12 WITH APPLICATOR |               |
| DIMENSIONS:<br>mm                      |  | PRODUCT SPEC                    | -  |               |
| TOLERANCES UNLESS OTHERWISE SPECIFIED: |  | APPLICATION SPEC                | -  |               |
| 0 PLC ± -                              |  | SIZE                            | CAGE CODE  | DRAWING NO    |
| 1 PLC ± -                              |  | WEIGHT                          | A3   | C2290         |
| 2 PLC ± -                              |  | CUSTOMER DRAWING                |  | RESTRICTED TO |
| 3 PLC ± -                              |  | SCALE                           |  | SHEET         |
| 4 PLC ± -                              |  | NTS                             |  | 3 OF 3        |
| ANGLES ± -                             |  | REV                             |  | 3             |
| FINISH                                 |  | G=1768045-1                     |  |               |

## **X-ON Electronics**

Largest Supplier of Electrical and Electronic Components

*Click to view similar products for [Wire Labels & Markers](#) category:*

*Click to view products by [TE Connectivity](#) manufacturer:*

Other Similar products are found below :

[89078GBEST](#) [89082GBESR](#) [89082GBEST](#) [PCL025-4](#) [5761-2SF](#) [58400](#) [586R734H02](#) [M1.040.0000.6](#) [CRS-CM5M](#) [CRS-M18M](#) [CS1836-000](#) [CS8626-000](#) [CU6337-000](#) [CU6342-000](#) [CU6343-000](#) [CWD01-0](#) [CWD012-0](#) [CWD012-7](#) [CWD015-3](#) [CWD015-7](#) [CWD02-0](#) [CWD02-3](#) [CWD02-4](#) [CWD02-6](#) [CWD02-8](#) [CWD02-A](#) [CWD02-D](#) [CWD02-H](#) [CWD02-K](#) [CWD02-L](#) [CWD02-M](#) [CWD02-P](#) [CWD02-Q](#) [CWD02-R](#) [CWD02-U](#) [CWD02-W](#) [CWD02-Y](#) [CWD03-+](#) [CWD03-0](#) [CWD03-P](#) [CWD06-0](#) [CWD06-8](#) [CWD06-9](#) [CWD06-L](#) [CWD06-N](#) [CWD09-0](#) [CWD09-5](#) [CWD09-7](#) [6806810001](#) [CZ2857-000](#)