

THIS DRAWING IS UNPUBLISHED.

RELEASED FOR PUBLICATION

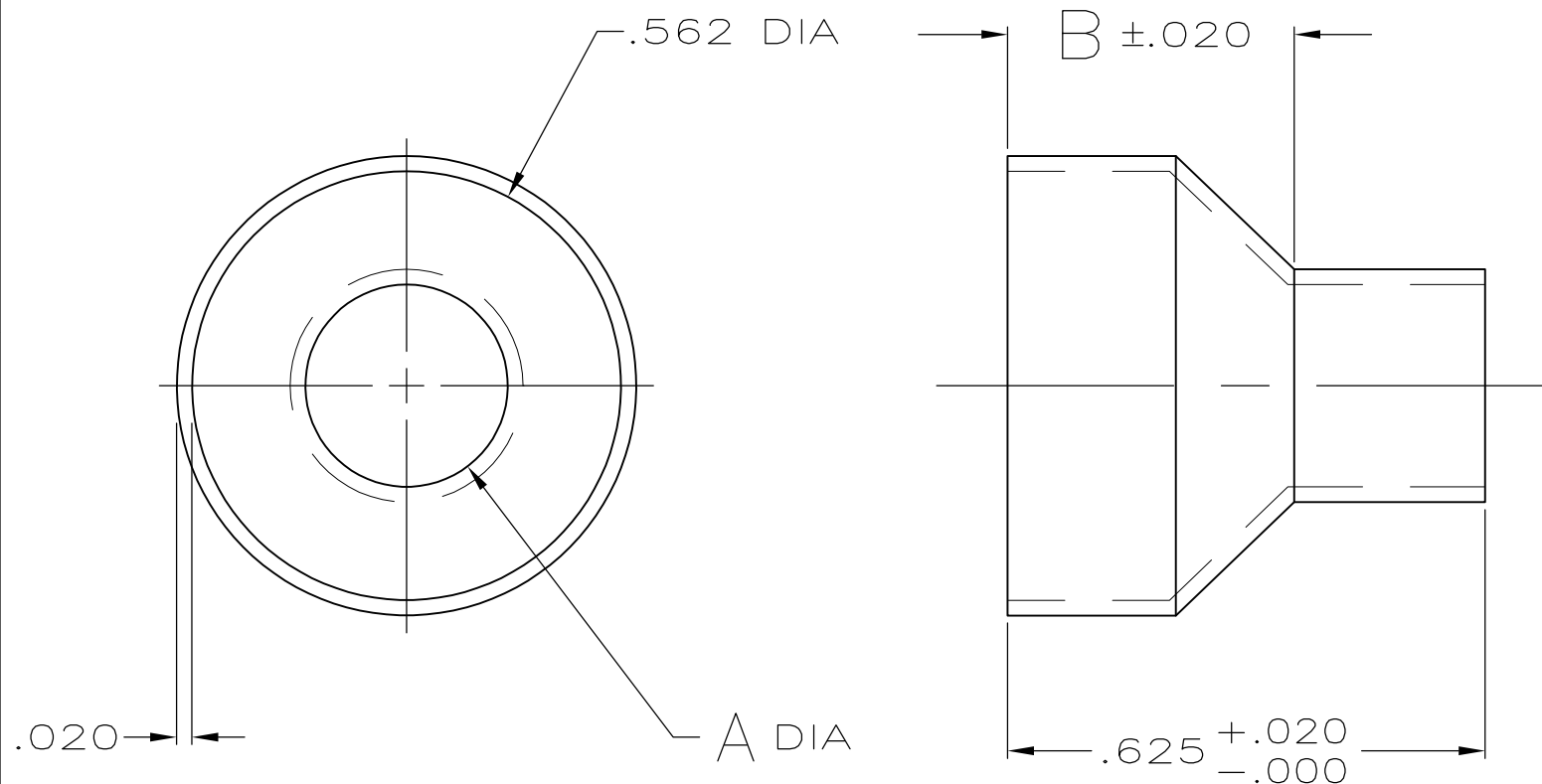
ALL RIGHTS RESERVED.

© COPYRIGHT - By -

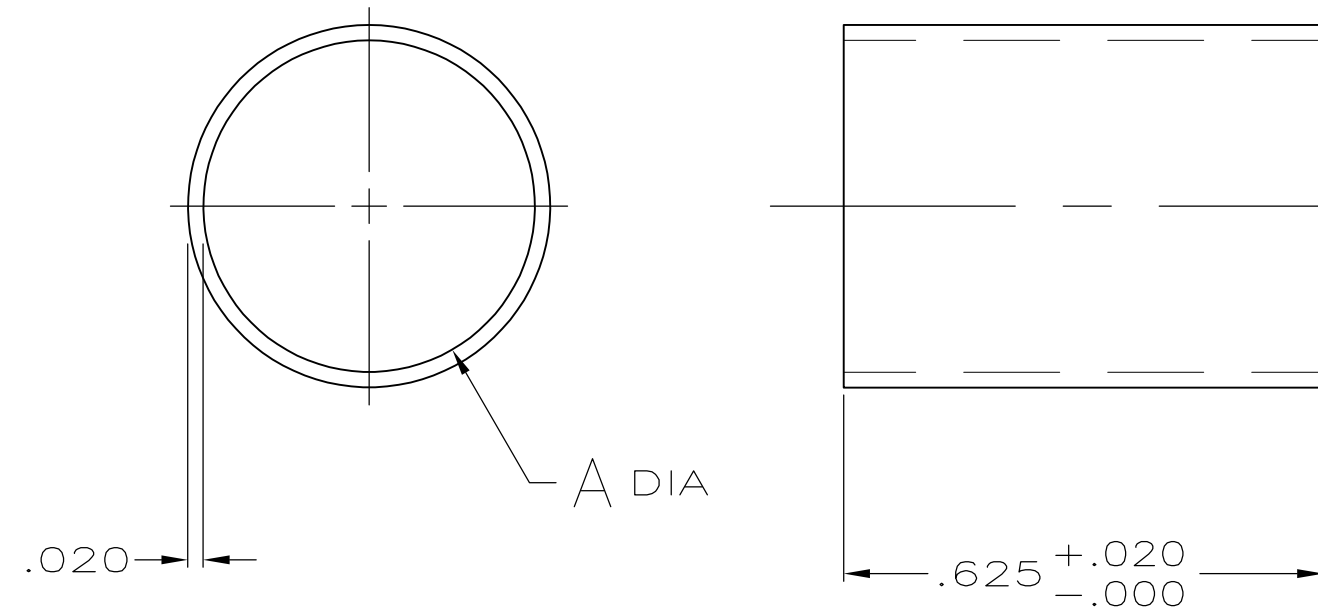
LOC GP DIST 00

REVISIONS

| P | LTR | DESCRIPTION | DATE | DWN | APVD |
|----|-----|---------------------------|---------|-----|------|
| L3 | | REVISED PER ECO-11-004835 | 11MAR11 | RK | HMR |



STYLE I (STEPPED)



STYLE II (STRAIGHT)

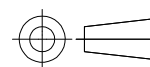
| | | | | | | |
|----------|--------|-------|----------------------|------|------|-------------|
| | ② | I | .422-.490 | .375 | .490 | 3-747580-1 |
| | ② | I | .230-.265 | .375 | .265 | 2-747580-4 |
| | ② | I | .338-.385 | .375 | .385 | 2-747580-3 |
| | ② | I I | .480-.562 | - | .562 | 2-747580-2 |
| | ② | I | .375-.432 | .375 | .432 | 2-747580-1 |
| OBSOLETE | ① | I | .230-.265 | .375 | .265 | 1-747580-0 |
| OBSOLETE | ① | I | .338-.385 | .375 | .385 | 747580-8 |
| OBSOLETE | ① | I I | .480-.562 | - | .562 | 747580-6 |
| OBSOLETE | ① | I | .422-.490 | .375 | .490 | 747580-5 |
| OBSOLETE | ① | I | .375-.432 | .375 | .432 | 747580-4 |
| | FINISH | STYLE | INSULATION RANGE DIA | B | A | PART NUMBER |

① .000100 MIN BRIGHT TIN-LEAD OVER .000100 MIN COPPER.

② .000100 MIN BRIGHT TIN OVER .000100 MIN COPPER.

THIS DRAWING IS A CONTROLLED DOCUMENT.

DIMENSIONS: INCHES



TOLERANCES UNLESS OTHERWISE SPECIFIED:

| | |
|--------|--------|
| 0 PLC | ± - |
| 1 PLC | ± - |
| 2 PLC | ± - |
| 3 PLC | ± .005 |
| 4 PLC | ± - |
| ANGLES | ± - |

MATERIAL STEEL, ANNEALED

FINISH SEE TABLE

DWN B. MCMASTER 21MAY04

CHK J. GERACE 21MAY04

APVD M. WALMSLEY 21MAY04

PRODUCT SPEC

APPLICATION SPEC

WEIGHT -

CUSTOMER DRAWING



OUTER FERRULE, SIZE 4 AND 5, AMPLIMITE SHIELDING HARDWARE

| SIZE | CAGE CODE | DRAWING NO | RESTRICTED TO |
|------|-----------|------------|---------------|
| A3 | 00779 | C-747580 | - |

SCALE 4:1 SHEET 1 OF 1 REV L3

X-ON Electronics

Largest Supplier of Electrical and Electronic Components

Click to view similar products for [D-Sub Tools & Hardware](#) category:

Click to view products by [TE Connectivity](#) manufacturer:

Other Similar products are found below :

[000-01-09-132](#) [000-01-21-132](#) [000-01-31-162](#) [572019-00105-70](#) [000-01-37-162](#) [621-250-113-115](#) [D110550-2](#) [D20418-137](#) [D2041839](#) [780-518-50SG6-WS](#) [86552009](#) [86553115TLF](#) [86553117TLF](#) [1230032-1](#) [1-5021101-2](#) [1589283-4](#) [160-000-005R031](#) [16-000230](#) [160-025-004R031](#) [160-000-137R000](#) [160-020-209R000](#) [164C03939A](#) [177-505-A-2-2](#) [1-966830-8](#) [21018-6](#) [21028-2](#) [2-1393560-9](#) [JS-1000](#) [L17D204182M3E](#) [L17D53018](#) [300X10779X](#) [160X10189X](#) [160X10419X](#) [160X10959X](#) [162-000-050R000](#) [21018-5](#) [212561-3](#) [248C21550X](#) [CF15P](#) [QLOCKPOST-2](#) [D110277](#) [500-008NF1K-01](#) [500-008NF3R3KS-01](#) [500-017M09FN](#) [500-017M15MHN](#) [500-024M1](#) [500-068M3](#) [5-1393561-5](#) [C115373-0001](#) [C115373-0002](#)