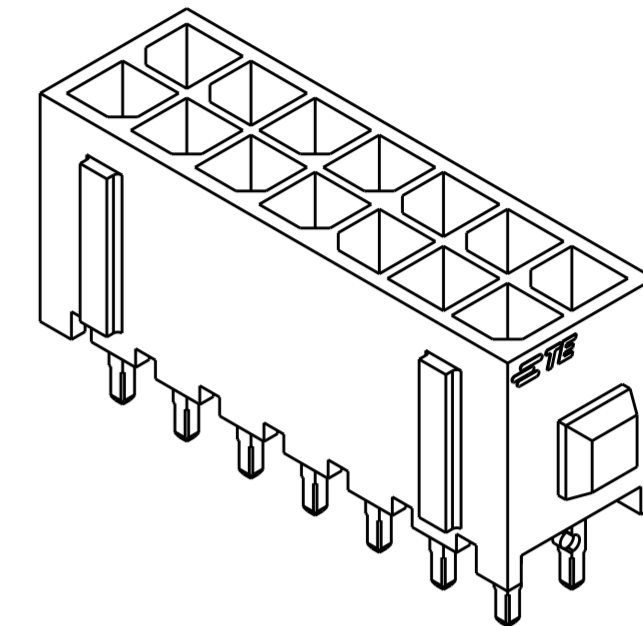
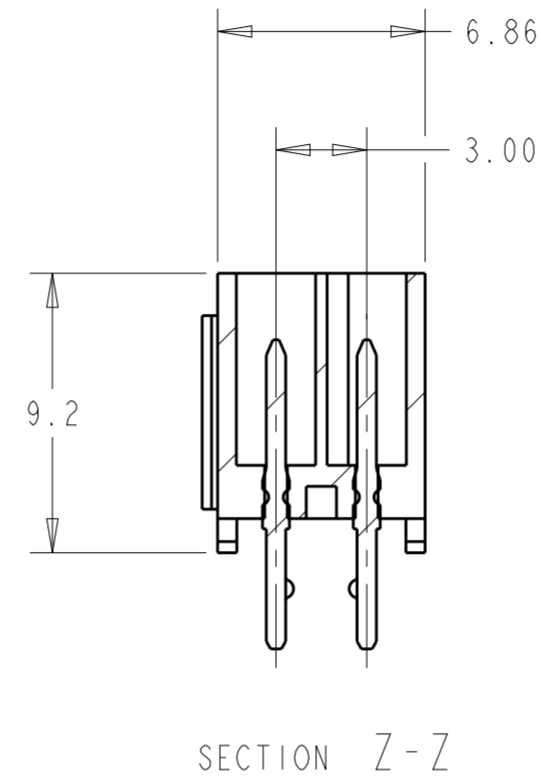
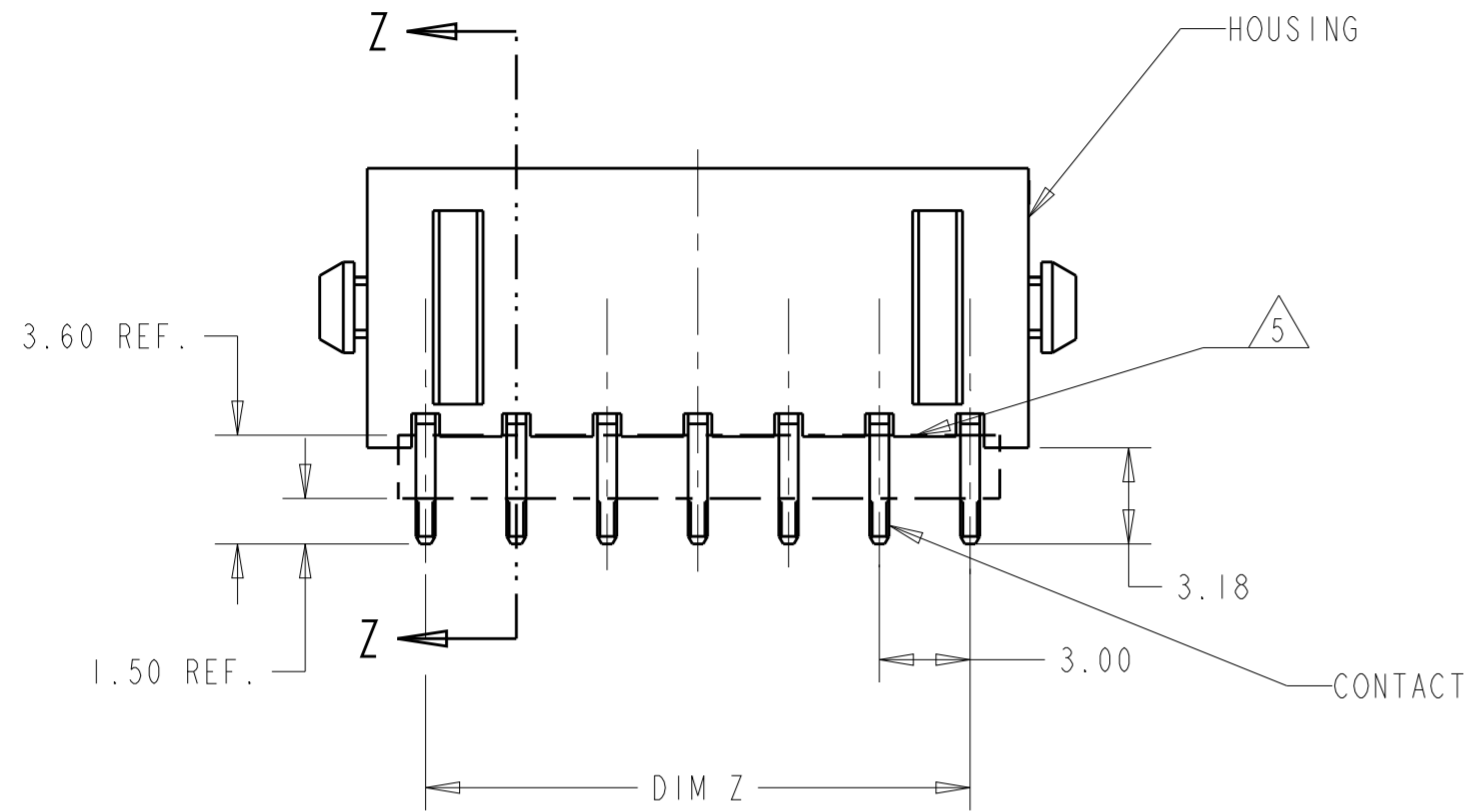
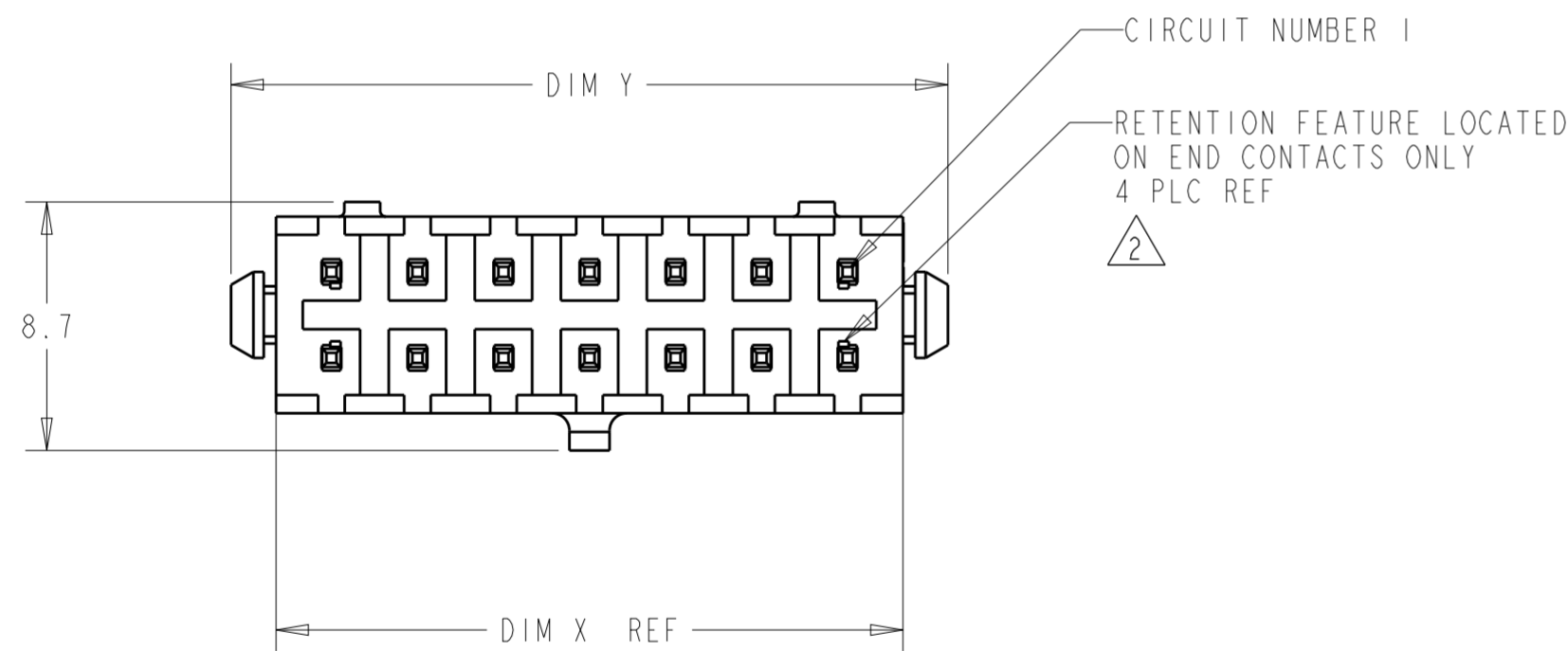


THIS DRAWING IS UNPUBLISHED. RELEASED FOR PUBLICATION
 © COPYRIGHT 20 BY - ALL RIGHTS RESERVED.

REVISIONS				
P	LTR	DESCRIPTION	DATE	APVD
E1		REVISED PER ECR-16-011494	21JUN2017	NK CX
E2		ECO-19-006502	25APR2019	AP WLS
E3		REVISED PER ECN-20-100750	10DEC2020	WLS VS



- 1 MATERIAL: HOUSING - UL 94V-0 RATED HIGH TEMP. , NYLON, COLOR BLACK.
CONTACT - BRASS.
- 2 MAXIMUM INSERTION 30 LBS.
- 3 RECOMMENDED BOARD THICKNESS 1.57.
- 4 FINISHING: CONTACT - 0.38µm MINIMUM GOLD ON MATING AREA.
2.54µm MINIMUM MATTE TIN ON SOLDER TAILS.
ALL OVER 1.27µm MINIMUM NICKEL.
- 5 CUTTING AREA REGION, NO PLATING IS PRESENT.
- 6 COUNTERPART RECOMMENDED IS PN 794617 (DASH ACCORDING TO NUMBER OF POSITION).
- 7 FOR REELING DIRECTION AND PACKAGING TYPE, SEE SPECIFICATION 114-13000.

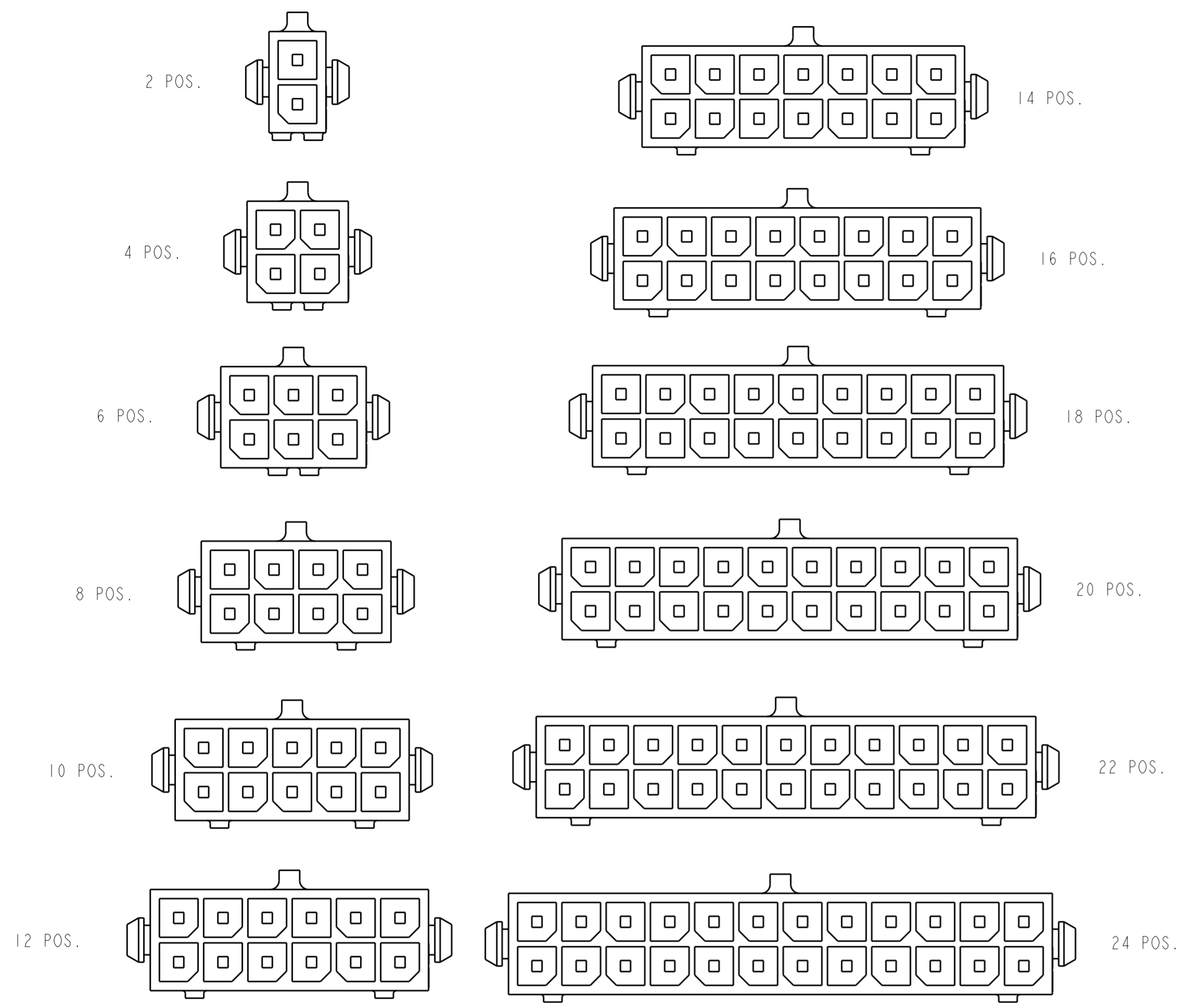


40.00	33.00	36.86	24	5-794631-4
37.00	30.00	33.86	22	5-794631-2
34.00	27.00	30.86	20	5-794631-0
31.00	24.00	27.86	18	4-794631-8
28.00	21.00	24.86	16	4-794631-6
25.00	18.00	21.86	14	4-794631-4
22.00	15.00	18.86	12	4-794631-2
19.00	12.00	15.86	10	4-794631-0
16.00	9.00	12.86	8	3-794631-8
13.00	6.00	9.86	6	3-794631-6
10.00	3.00	6.86	4	3-794631-4
7.00	-	3.86	2	3-794631-2
DIM Y	DIM Z	DIM X	NO. OF POSN.	PART NUMBER

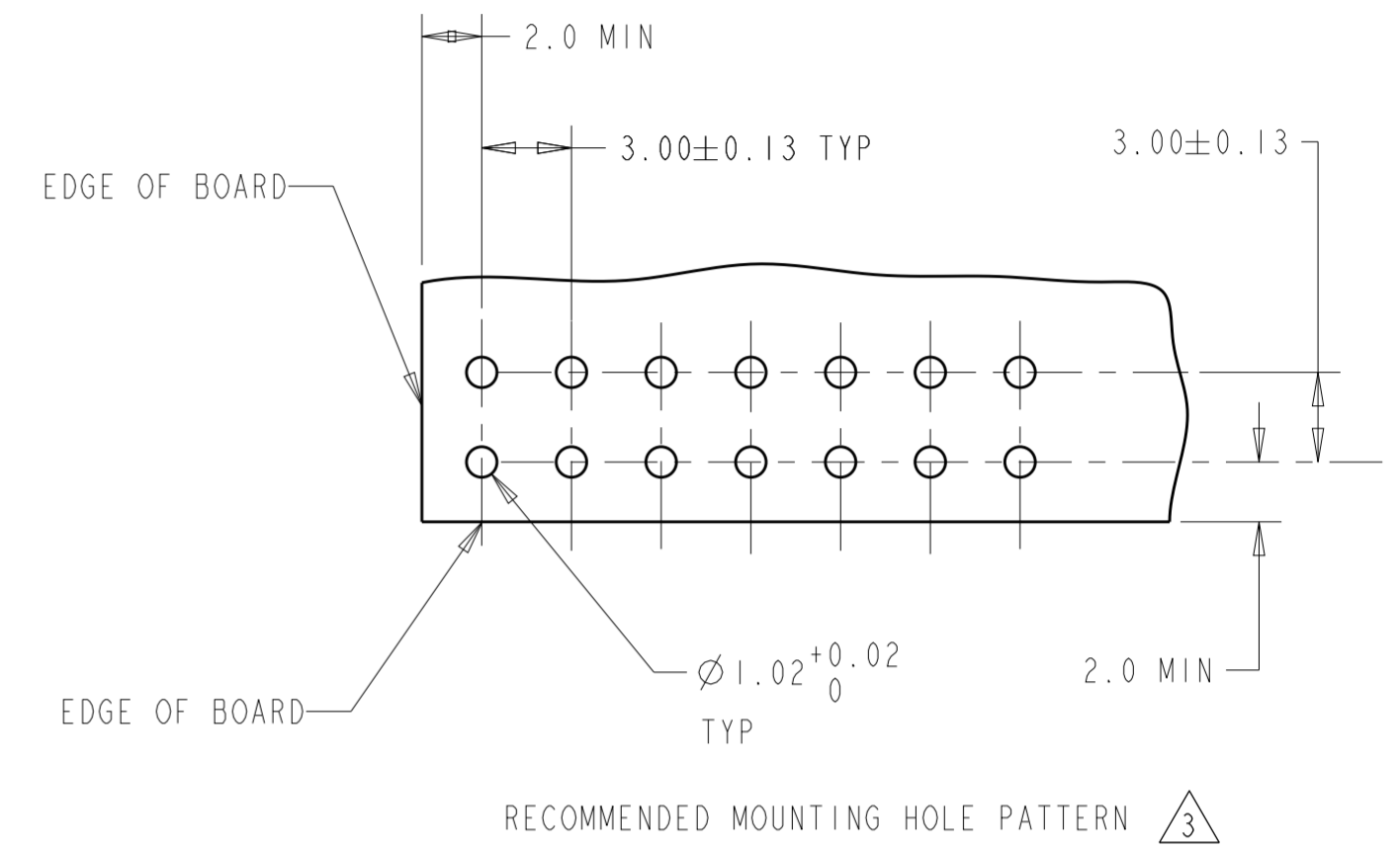
THIS DRAWING IS A CONTROLLED DOCUMENT.		DWN B. HAYMAKER 16AUG99	TE Connectivity	
DIMENSIONS: mm [INCHES]		CHK K. COBLE 16AUG99		
TOLERANCES UNLESS OTHERWISE SPECIFIED:		APVD K. COBLE 16AUG99	NAME VERTICAL HEADER ASSEMBLY, THRU HOLE, 15 GOLD, DUAL ROW, MICRO MATE-N-LOK™	
0 PLC ± 1 PLC ± 2 PLC ±0.20 [0.008] 3 PLC ± 4 PLC ±		PRODUCT SPEC 108-1836	SIZE A2	
MATERIAL		APPLICATION SPEC 114-13000	CAGE CODE 00779	DRAWING NO. G-794631
ANGLES ±1° FINISH		WEIGHT -	RESTRICTED TO -	SCALE 4:1
1		CUSTOMER DRAWING		SHEET 1 OF 2
4		REV E3		

THIS DRAWING IS UNPUBLISHED. RELEASED FOR PUBLICATION
 © COPYRIGHT 20 BY - ALL RIGHTS RESERVED.

REVISIONS				
P	LTR	DESCRIPTION	DATE	APVD
-	-	SEE SHEET 1	-	-



KEYING BY POSITION SIZE



THIS DRAWING IS A CONTROLLED DOCUMENT.		DWN B. HAYMAKER 16AUG99	TE Connectivity	
DIMENSIONS: mm [INCHES]		CHK K. COBLE 16AUG99		
TOLERANCES UNLESS OTHERWISE SPECIFIED:		APVD K. COBLE 16AUG99	NAME VERTICAL HEADER ASSEMBLY, THRU HOLE, 15 GOLD, DUAL ROW, MICRO MATE-N-LOK	
0 PLC ± 1 PLC ± 2 PLC ±0.20 [.008] 3 PLC ± 4 PLC ± ANGLES ±1° FINISH -		PRODUCT SPEC 108-1836	SIZE A2	CAGE CODE 00779
MATERIAL -		APPLICATION SPEC 114-13000	DRAWING NO G-794631	RESTRICTED TO -
-		WEIGHT -	SCALE 3:1 SHEET 2 OF 2 REV E3	
-		CUSTOMER DRAWING		

X-ON Electronics

Largest Supplier of Electrical and Electronic Components

Click to view similar products for [Pin & Socket Connectors](#) category:

Click to view products by [TE Connectivity](#) manufacturer:

Other Similar products are found below :

[6450822-1](#) [770392-1](#) [794042-1](#) [796885-1](#) [8-794535-1](#) [PLR3455ACS-222](#) [R929991004](#) [R929993003](#) [1403611-1](#) [1-480349-5](#) [152302-5](#)
[153211-2](#) [1586092-1](#) [1586129-1](#) [1586681-4](#) [1586700-1](#) [1586368-1](#) [1586380-1](#) [1586616-1](#) [1586680-5](#) [16-06-0038](#) [164164-5](#) [1-6609930-1](#)
[172296-1](#) [19-09-2035](#) [200503-1](#) [200788-2](#) [2029090-4](#) [2029095-4](#) [925061-7](#) [293734-4](#) [293737-2](#) [1-765362-4](#) [1871534-1](#) [200833-4](#)
[2008625-2](#) [2029027-2](#) [2029096-4](#) [R929991000](#) [R929991002](#) [R929993000](#) [319-10-101-00-005000](#) [319-10-102-00-001000](#) [319-10-104-00-001000](#) [319-10-105-00-001000](#) [319-10-108-00-001000](#) [319-10-112-00-006000](#) [39-01-8019](#) [319-10-101-00-001000](#) [319-10-102-00-005000](#)