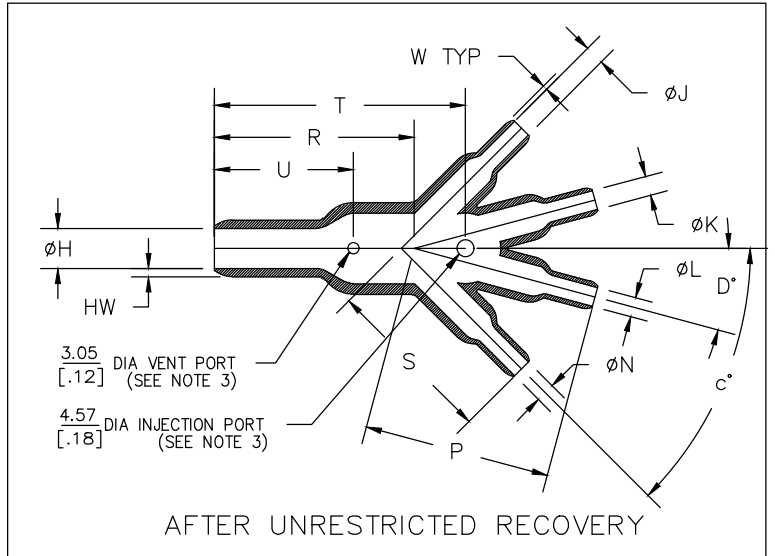
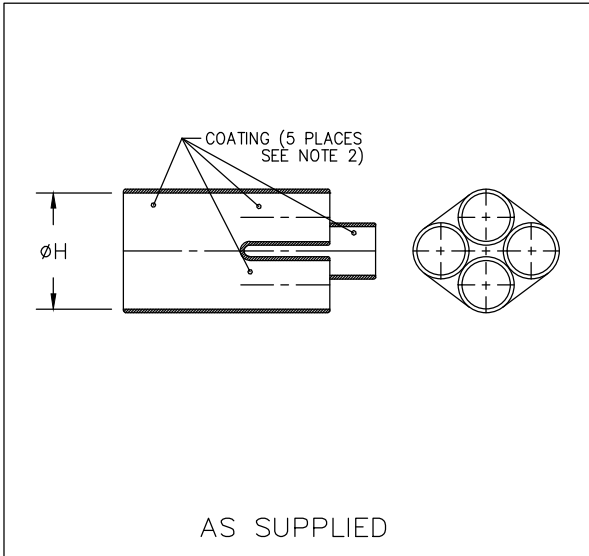


REVISIONS				
P	LTR	DESCRIPTION	DATE	APVD
B		PRODUCTION ISSUE	31JAN2019	PNT MT



PART NUMBER	H		J,K,L & N		P	R	S	T	U	C°	D°	HW	W
	Min a	Max b	Min a	Max b	±10% b	±10% b	±10% b	±10% b	±10% b	±5% b	±5% b	±20% b	±20% b
562A011-25/225	13.2 [.52]	6.9 [.27]	6.6 [.26]	3.4 [.14]	24.1 [.95]	38.4 [1.51]	24.1 [.95]	43.9 [1.73]	18.0 [.71]	45	15	1.52 [.06]	1.02 [.04]
562A022-25/225	19.3 [.76]	9.7 [.38]	9.4 [.37]	5.3 [.21]	35.6 [1.40]	36.1 [1.42]	32.0 [1.26]	43.2 [1.70]	23.1 [.91]	45	15	1.78 [.07]	1.02 [.04]
562A032-25/225	19.3 [.76]	9.7 [.38]	13.2 [.52]	6.9 [.27]	49.3 [1.94]	36.1 [1.42]	45.0 [1.77]	50.5 [1.99]	25.4 [1.00]	45	15	1.78 [.07]	1.52 [.06]
562A043-25/225	26.9 [1.06]	13.0 [.51]	13.2 [.52]	6.9 [.27]	49.3 [1.94]	51.8 [2.04]	45.0 [1.77]	65.8 [2.59]	33.5 [1.32]	45	15	2.54 [.10]	1.52 [.06]
562A054-25/225	38.6 [1.52]	18.5 [.73]	19.3 [.76]	9.7 [.38]	71.9 [2.83]	74.9 [2.95]	65.3 [2.57]	95.3 [3.75]	46.5 [1.83]	45	15	3.05 [.12]	1.78 [.07]
562A067-25/225	55.6 [2.19]	26.7 [1.05]	26.9 [1.06]	13.0 [.51]	101.6 [4.00]	108.5 [4.27]	92.5 [3.64]	135.1 [5.32]	65.5 [2.58]	45	15	4.57 [.18]	2.54 [.10]

THIS DRAWING IS UNPUBLISHED. RELEASED FOR PUBLICATION ALL RIGHTS RESERVED.

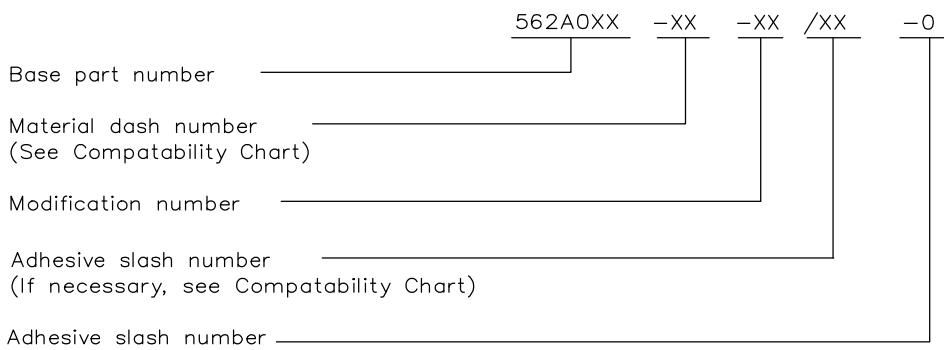
COPYRIGHT - TE Connectivity Ltd.

DIMENSIONS: mm [INCHES]	DWN	31JAN2019	MATERIAL	SEE SHEET 2	FINISH	-					
	CHK	31JAN2019	TE Connectivity Ltd.								
TOLERANCES UNLESS OTHERWISE SPECIFIED:	APVD	31JAN2019									
	PRODUCT SPEC	-	NAME	TRANSITION, 1 TO 4 CABLES							
0 PLC ± -	APPLICATION SPEC	-	SIZE	A4	CAGE CODE	00779	DRAWING NO	C-562A011-25/225-0THRU067-25/225-0	RESTRICTED TO	-	
1 PLC ± -	WEIGHT	-	CUSTOMER DRAWING			SCALE	DNS	SHEET	1 OF 2	REV	B
2 PLC ± -											
3 PLC ± -											
4 PLC ± -											
ANGLES ± -											

REVISIONS					
P	LTR	DESCRIPTION	DATE	DWN	APVD
	-	SEE SHEET 1	-	-	-

COMPATABILITY CHART				
MATERIAL DASH NO.	MATERIAL DESCRIPTION	RT SPEC	COATING SLASH NO.	COATING S NO.
-25	Elastomer, Fluid Resistant	RW-2070	/42; /86; /225	S1017; S1048; S1206

ORDERING INFORMATION



NOTES


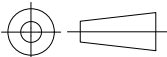
- Dimensions appearing in table are as follows:
 - a - As Supplied
 - b - After Unrestricted Recovery
- Coating is optional. As supplied dimensions appearing in table are for uncoated parts. When coating is added, entry diameters will be reduced by 1.5mm[.06] max.
- Molding ports are optional. When -00 modification number is specified molding ports will be located as shown.

RELEASED FOR PUBLICATION

ALL RIGHTS RESERVED.

COPYRIGHT - TE Connectivity Ltd.

THIS DRAWING IS UNPUBLISHED.

DIMENSIONS: mm [INCHES]	DWN	31JAN2019	MATERIAL	-	FINISH	-
	PRAVEEN N T		 TE Connectivity Ltd.			
TOLERANCES UNLESS OTHERWISE SPECIFIED:	CHK	31JAN2019				
	N NAGAR		TRANSITION,1 TO 4 CABLES			
0 PLC ± - 1 PLC ± - 2 PLC ± - 3 PLC ± - 4 PLC ± - ANGLES ± -	APVD	31JAN2019	SIZE	CAGE CODE	DRAWING NO	RESTRICTED TO
	M TAYLOR		A4	00779	C-562A011-25/225-0THRU067-25/225-0	-
	PRODUCT SPEC	-	SCALE			
	APPLICATION SPEC	-	DNS			
	WEIGHT	-	SHEET		REV	
CUSTOMER DRAWING			2 OF 2		B	

X-ON Electronics

Largest Supplier of Electrical and Electronic Components

Click to view similar products for [Cable Boots](#) category:

Click to view products by [TE Connectivity](#) manufacturer:

Other Similar products are found below :

[618235-000](#) [622A014-3-0](#) [CX4132-000](#) [879515-000](#) [982033-2](#) [R280576000](#) [1300830729](#) [EN3BOOTLKIT](#) [MTPSRBCL-C](#) [1811481-1](#)
[200W531-3-0](#) [202A121-386-0](#) [202A142-4-00/42-0](#) [202A163-4-0-CS5067](#) [202B221-13-0](#) [202B231-13-0](#) [202B563-25-07-0](#)
[202C621710CS5361](#) [202D132-4-07/42-0](#) [202D221-4-0-CS5349](#) [202D221-4-26-0](#) [202D263-25-08-0](#) [202D263-4-22/42-0](#) [202D263-4-88-0](#)
[202D921-2542-0](#) [202E336-71-0](#) [202F211-50-22-0-CS8474](#) [202F242-50-05-0](#) [202F242-51-04/164-0](#) [202K121-25-CS-1858-0](#) [202K121-25-](#)
[CS-2062-0](#) [202K132-25-01/225-0CS8387](#) [202K153-3-0186-0](#) [202S132-25-UP-0](#) [203W301-3/42-0](#) [207W613-100/184-0-CS5657](#) [207W623-](#)
[100-01/184-0](#) [207W634-100/184-0-CS5657](#) [207W656-100-01/184-0](#) [207W667-100-01/184-0](#) [207W667-100/184-0](#) [208A011-3-0](#) [208A021-3-](#)
[0](#) [221A011-51164-0-CS7133](#) [222A121-2586](#) [222A152-342-0](#) [222A213-25-0-CS5613](#) [222D221-25-13/86-0](#) [222D232-4-61-0-CS5078](#)
[222D253-100-22-0](#)