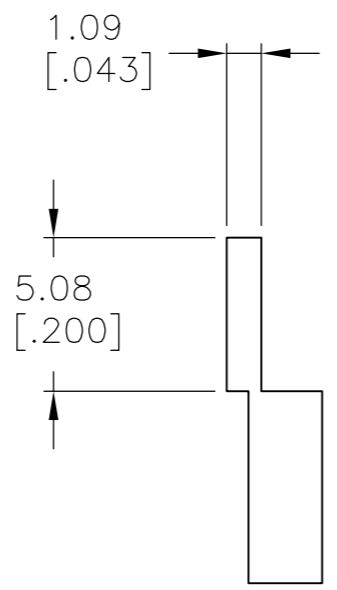
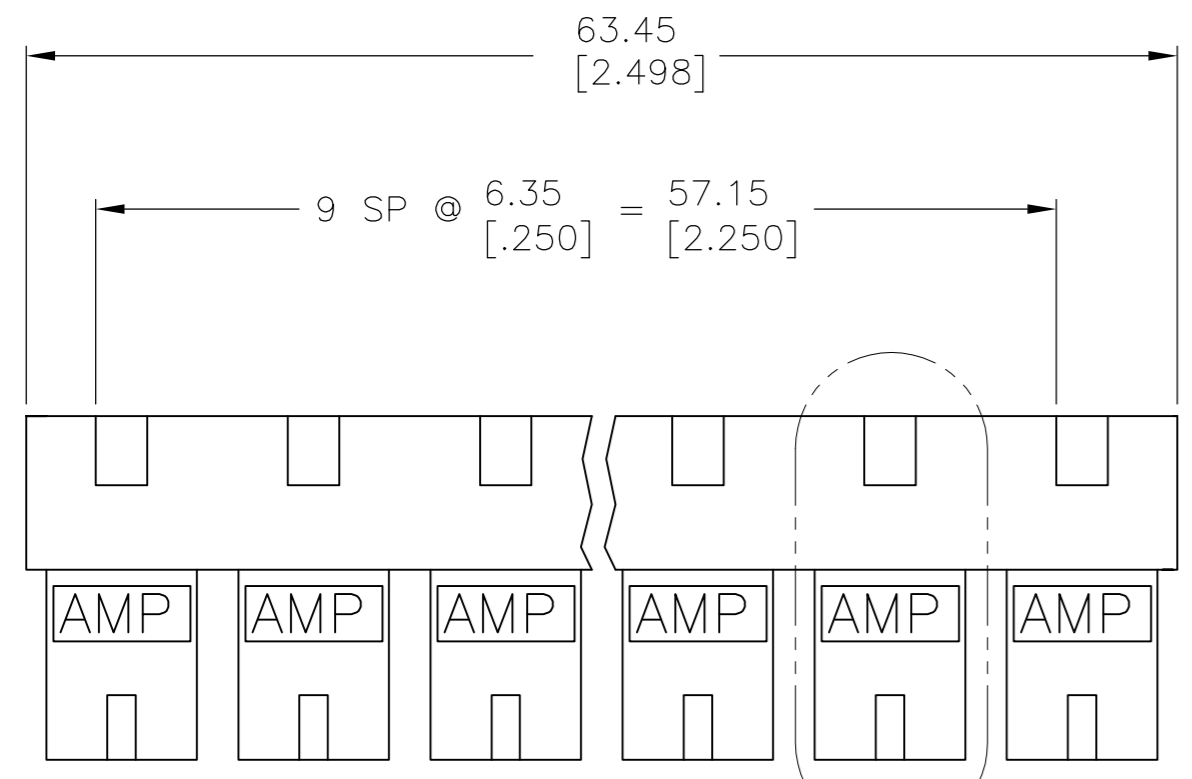


THIS DRAWING IS UNPUBLISHED. RELEASED FOR PUBLICATION
 © COPYRIGHT - By - ALL RIGHTS RESERVED.

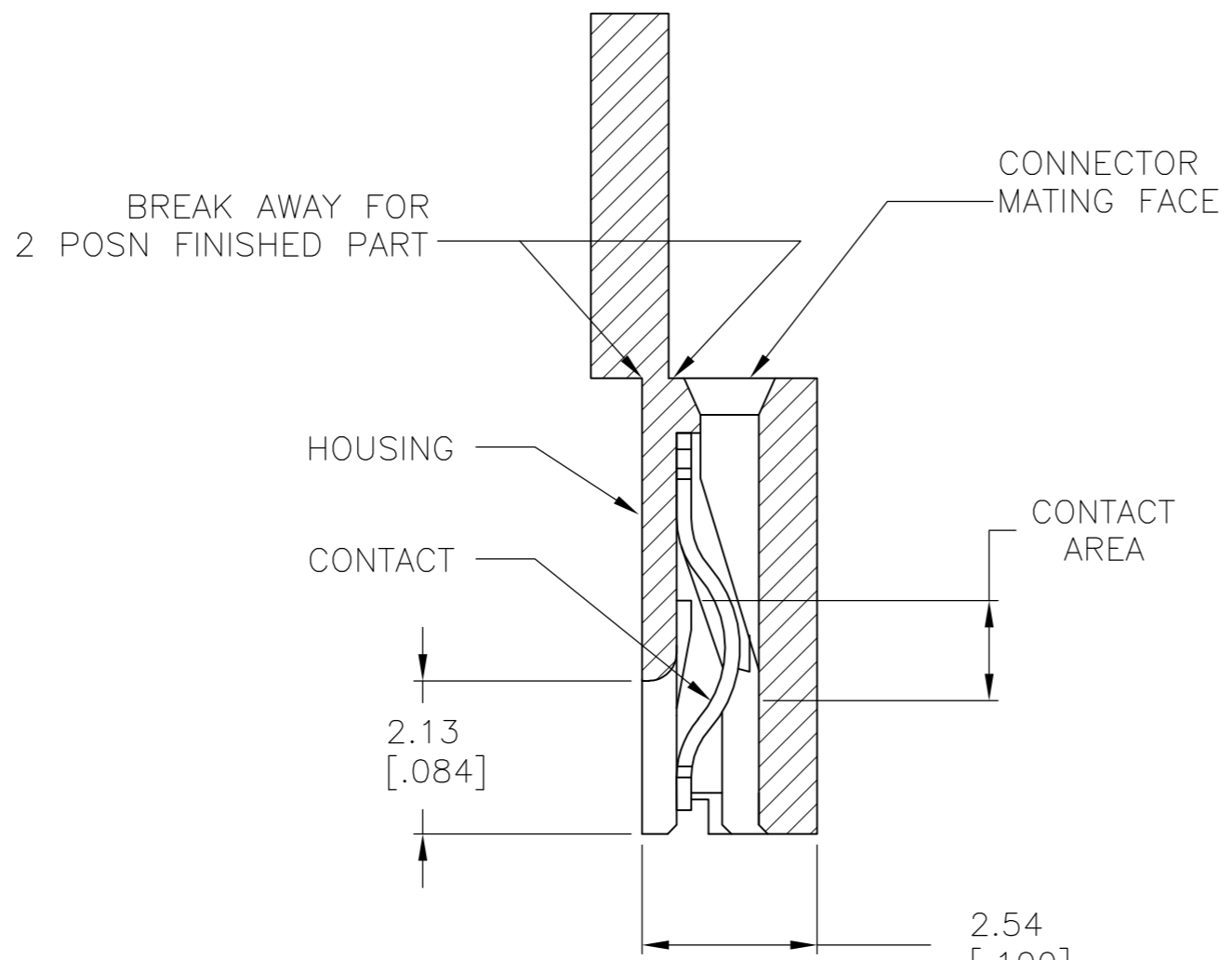
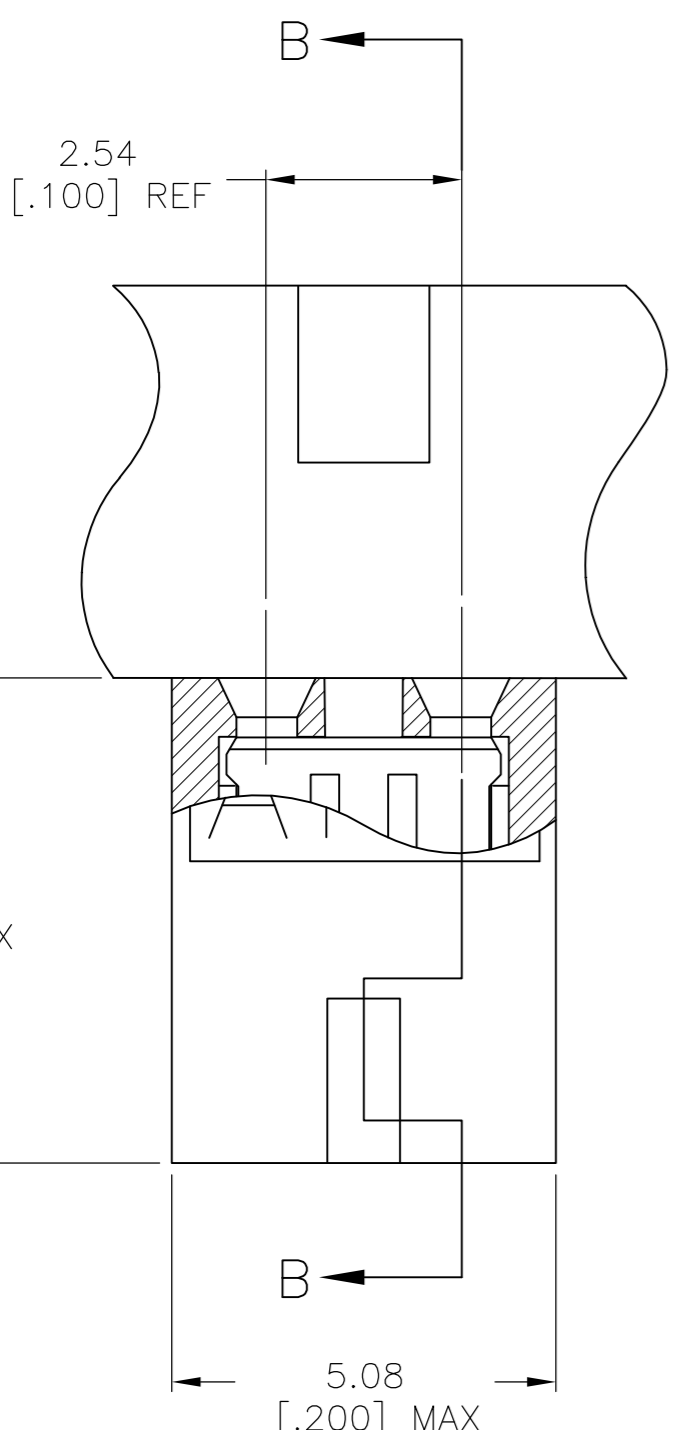
LOC	DIST	REVISIONS			
P	LTR	DESCRIPTION	DATE	DWN	APVD
AG	53	L	REVISED PER ECO-15-006927	17JUN2015	NK MM



- 7 PART NO. DENOTES INDIVIDUAL TWO POSITION SHUNT WHICH IS PACKAGED LOOSE PIECE.
- 8 CONTACT PLATED WITH 0.00076[.000030] GOLD IN CONTACT AREA OVER 0.00127[.000050] NICKEL OVERALL.
- 9 CONTACT PLATED WITH 0.00254[.000100] MATTE TIN OVER ALL.

- 1 MATERIAL: HOUSING: GLASS-FILLED POLYESTER, COLOR-SEE TABLE.
- 2 CONTACT PLATED WITH 0.00254[.000100] TIN-LEAD OVER ALL.
- 3 CONTACT PLATED WITH 0.00038[.000015] GOLD IN CONTACT AREA OVER 0.00127[.000050] NICKEL OVER ALL.
- 4 PART NO. DENOTES INDIVIDUAL TWO POSITION SHUNT, WHICH IS PACKAGED ON BREAKAWAY COMBS OF TEN SHUNTS.
- 5 CONNECTOR MATES WITH WIRE WRAP POSTS, 0.64[.025] SQUARE OR ROUND AND 0.56[.022] X 0.66[.026] POSTS. LENGTH 5.08[.200] MINIMUM.
- 6 CONTACT PLATED WITH 0.00013[.000005] GOLD IN CONTACT AREA OVER 0.00127[.000050] NICKEL OVER ALL.

SEE DETAIL A



SECTION B-B
SCALE 10:1

DETAIL A
SCALE 10:1

CONTACT MATERIAL	HOUSING COLOR	FINISH	PART NO
PHOSPHOR BRONZE	BLACK	9	2-382811-1 4
PHOSPHOR BRONZE	BLACK	8	2-382811-0 4
PHOSPHOR BRONZE	BLACK	2	1-382811-9 7
PHOSPHOR BRONZE	BLACK	6	1-382811-8 7
PHOSPHOR BRONZE	RED	2	1-382811-7 4
PHOSPHOR BRONZE	BLACK	3	1-382811-6 7
PHOSPHOR BRONZE	BLACK	8	1-382811-5 7
PHOSPHOR BRONZE	RED	8	1-382811-4 4
PHOSPHOR BRONZE	BLUE	8	1-382811-3 4
PHOSPHOR BRONZE	BLACK	9	1-382811-2 7
PHOSPHOR BRONZE	BLUE	9	1-382811-1 4
OBSELETE BERYLLIUM COPPER	BLACK	3	1-382811-0 4
PHOSPHOR BRONZE	RED	3	382811-9 4
PHOSPHOR BRONZE	BLACK	6	382811-8 4
PHOSPHOR BRONZE	RED	9	382811-7 4
PHOSPHOR BRONZE	BLACK	3	382811-6 4
PHOSPHOR BRONZE	BLACK	2	382811-5 4
PHOSPHOR BRONZE	BLUE	6	382811-4 4
PHOSPHOR BRONZE	RED	6	382811-3 4
PHOSPHOR BRONZE	BLUE	3	382811-2 4
PHOSPHOR BRONZE	BLUE	2	382811-1 4

THIS DRAWING IS A CONTROLLED DOCUMENT.

DIMENSIONS: mm [INCHES]	TOLERANCES UNLESS OTHERWISE SPECIFIED:	DWN W. SORAH 8-18-93	 TE Connectivity
	0 PLC ± -	CHK R. TALLEY 8-23-93	
	1 PLC ± -	APVD D. HUFFMAN 8-23-93	
	2 PLC ± 0.26 [.010]	NAME	
3 PLC ± -	PRODUCT SPEC	108-1476	ECONOMY SHUNT ASSEMBLY
4 PLC ± -	APPLICATION SPEC	114-1059	SIZE A2 CAGE CODE 00779 DRAWING NO C=382811
ANGLES ± -	FINISH	SEE TABLE	RESTRICTED TO
MATERIAL HOUSING CONTACT: SEE TABLE 1			SCALE 4:1 SHEET 1 OF 1 REV L

X-ON Electronics

Largest Supplier of Electrical and Electronic Components

Click to view similar products for [Headers & Wire Housings](#) category:

Click to view products by [TE Connectivity](#) manufacturer:

Other Similar products are found below :

[95000-104TRLF](#) [10135584-644402LF](#) [DF62W-EP2022PCA](#) [95000-106TRLF](#) [DF62W-2022SCA](#) [DF62W-EP2022PC](#) [2203348](#) [DF62W-2022SC](#) [1084018](#) [1029039](#) [1084017](#) [802-10-012-10-002000](#) [1112640](#) [1112639](#) [000-34000](#) [0009482033](#) [0009507031](#) [57102-S06-03LF](#) [57202-S52-04LF](#) [PCN6-15S-2.5E](#) [0039019024](#) [58102-G61-06LF](#) [582553-1](#) [0009485154](#) [0009508121](#) [0022285053](#) [0050291907](#) [018731A](#) [LY20-4P-DT1-P1E-BR](#) [02.125.8002.8](#) [60101931](#) [60598-1 \(Cut Strip\)](#) [M1625-3R/100](#) [61062-3](#) [61082-181009](#) [636-1427](#) [638009-1](#) [641938-9](#) [641991-4](#) [644168-1](#) [647662-1](#) [65039-019ELF](#) [65817-002LF](#) [65817-015LF](#) [65863-015LF](#) [66207-023LF](#) [67016-026LF](#) [67046-001LF](#) [67095-007LF](#) [67230-005LF](#)