

REVISIONS

| P | LTR | DESCRIPTION      | DATE      | DWN | APVD |
|---|-----|------------------|-----------|-----|------|
| V |     | PRODUCTION ISSUE | 30JAN2019 | PNT | MT   |

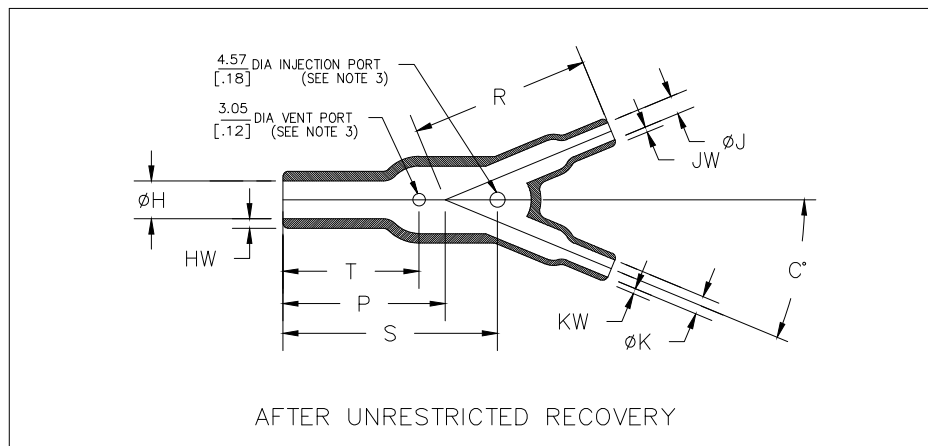
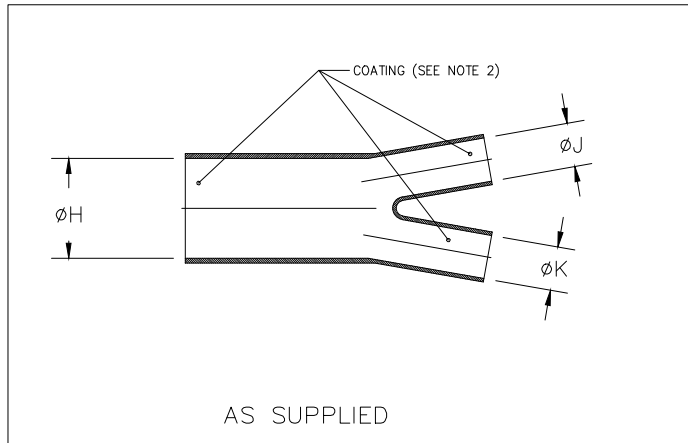


TABLE OF DIMENSIONS


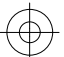

| PART NUMBER | H              |                | J              |               | K              |               | P              | R              | S               | T              | HW            | JW & KW       | C       | Weight Nom lb/[gms] |
|-------------|----------------|----------------|----------------|---------------|----------------|---------------|----------------|----------------|-----------------|----------------|---------------|---------------|---------|---------------------|
|             | Min a          | Max b          | Min a          | Max b         | Min a          | Max b         | ±10% b         | ±10% b         | ±10% b          | ±10% b         | ±20% b        | ±20% b        | ±5% b   | b                   |
| 382A012     | 13.2<br>[.52]  | 6.1<br>[.24]   | 6.6<br>[.26]   | 3.3<br>[.13]  | 6.6<br>[.26]   | 3.3<br>[.13]  | 22.4<br>[.88]  | 19.3<br>[.76]  | 23.9<br>[.94]   | 15.5<br>[.61]  | 1.52<br>[.06] | 1.02<br>[.04] | 22 1/2* | 1.81<br>[.004]      |
| 382A023     | 26.9<br>[1.06] | 12.4<br>[.49]  | 13.2<br>[0.52] | 6.1<br>[.24]  | 13.2<br>[.52]  | 6.1<br>[.24]  | 38.1<br>[1.50] | 43.2<br>[1.70] | 53.3<br>[2.10]  | 33.0<br>[1.30] | 2.54<br>[.10] | 1.52<br>[.06] | 22 1/2* | 11.79<br>[.026]     |
| 382A034     | 38.6<br>[1.52] | 18.0<br>[.71]  | 26.9<br>[1.06] | 12.4<br>[.49] | 26.9<br>[1.06] | 12.4<br>[.49] | 65.5<br>[2.58] | 78.7<br>[3.10] | 78.7<br>[3.10]  | 55.9<br>[2.20] | 3.05<br>[.12] | 2.54<br>[.10] | 22 1/2* | 63.96<br>[.141]     |
| 382A046     | 55.6<br>[2.19] | 25.9<br>[1.02] | 26.9<br>[1.06] | 12.7<br>[.50] | 26.9<br>[1.06] | 12.7<br>[.50] | 85.1<br>[3.35] | 94.0<br>[3.70] | 111.8<br>[4.40] | 71.1<br>[2.80] | 4.57<br>[.18] | 2.54<br>[.10] | 22 1/2* | 112.95<br>[.249]    |

RELEASED FOR PUBLICATION

ALL RIGHTS RESERVED.

THIS DRAWING IS UNPUBLISHED.

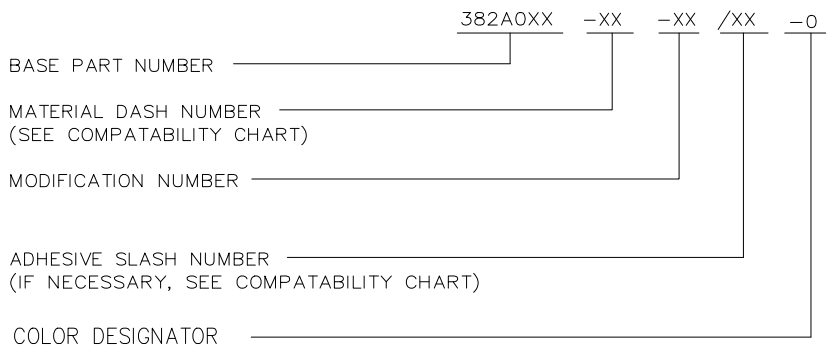
© COPYRIGHT - TE Connectivity Ltd.

|   |  |                   |   |              |                       |                              |
|---|--|-------------------|---|--------------|-----------------------|------------------------------|
| DIMENSIONS:<br>mm [INCHES]  | DWN<br>PRAVEEN N T   | 30JAN2019         | MATERIAL<br>SEE SHEET 2   | FINISH<br>-  |                       |                              |
|   | CHK<br>N NAGAR   | 30JAN2019         |  TE Connectivity Ltd. |              |                       |                              |
| TOLERANCES UNLESS OTHERWISE SPECIFIED:  | APVD<br>M TAYLOR   | 30JAN2019         |   |              | NAME<br>TRANSITION, Y |                              |
|   | 0 PLC ± -<br>1 PLC ± 0.50[.1]<br>2 PLC ± 0.25[.01]<br>3 PLC ± 0.13[.005]<br>4 PLC ± -<br>ANGLES ± 1° | PRODUCT SPEC<br>- | APPLICATION SPEC<br>-   | SIZE<br>A4   | CAGE CODE<br>00779    | DRAWING NO<br>C-382A0XX-XX-0 |
|   | WEIGHT   | CUSTOMER DRAWING  |   | SCALE<br>DNS | SHEET<br>1 OF 2       | REV<br>V                     |

| REVISIONS |     |             |      |     |      |
|-----------|-----|-------------|------|-----|------|
| P         | LTR | DESCRIPTION | DATE | DWN | APVD |
|           | -   | SEE SHEET 1 | -    | -   | -    |

| COMPATABILITY CHART |                                   |         |                   |                   |
|---------------------|-----------------------------------|---------|-------------------|-------------------|
| MATERIAL DASH NO.   | MATERIAL DESCRIPTION              | RT SPEC | COATING SLASH NO. | COATING S NO.     |
| -3                  | Polyolefin, Semi-rigid            | RT-301  | /42;/86;/180      | S1017;S1048;S1030 |
| -4                  | Polyolefin, Flexible              | RT-1304 | /42;/86;/180      | S1017;S1048;S1030 |
| -12                 | Fluoroelastomer, Flexible         | RT-1312 | N/A               | N/A               |
| -25                 | Elastomer, Fluid Resistant        | RW-2070 | /42;/86;/225      | S1017;S1048;S1206 |
| -100                | Polyolefin, semi-flexible Zerohal | RW-2082 | /86; /180         | S1048; S1030      |

ORDERING INFORMATION



NOTES:

- DIMENSIONS APPEARING IN TABLE ARE AS FOLLOWS:
  - a - AS SUPPLIED
  - b - AFTER UNRESTRICTED RECOVERY
- COATING IS OPTIONAL. AS SUPPLIED DIMENSIONS APPEARING IN TABLE ARE FOR UNCOATED PARTS. WHEN COATING IS ADDED, ENTRY DIAMETERS WILL BE REDUCED BY 1.5mm[.06] MAX.
- MOLDING PORTS ARE OPTIONAL. WHEN -00 MODIFICATION NUMBER IS SPECIFIED MOLDING PORTS WILL BE LOCATED AS SHOWN.
- WEIGHT SHOWN IN TABLE OF DIMENSIONS IS BASED ON POLYOLEFIN PART.

THIS DRAWING IS UNPUBLISHED.

ALL RIGHTS RESERVED.

© COPYRIGHT - TE Connectivity Ltd.

|  |                    |           |                      |               |              |               |        |
|--|--------------------|-----------|----------------------|---------------|--------------|---------------|--------|
| DIMENSIONS:<br>mm [INCHES]   | DWN<br>PRAVEEN N T | 30JAN2019 | MATERIAL             | -             | FINISH       | -             |        |
|  | CHK<br>N NAGAR     | 30JAN2019 | TE Connectivity Ltd. |               |              |               |        |
| TOLERANCES UNLESS OTHERWISE SPECIFIED:   | APVD<br>M TAYLOR   | 30JAN2019 |                      |               |              |               |        |
| 0 PLC ± -<br>1 PLC ± 0.50[.1]<br>2 PLC ± 0.25[.01]<br>3 PLC ± 0.13[.005]<br>4 PLC ± -<br>ANGLES ± 1° | PRODUCT SPEC       | -         | NAME                 | TRANSITION, Y |              |               |        |
|  | APPLICATION SPEC   | -         | SIZE                 | CAGE CODE     | DRAWING NO   | RESTRICTED TO |        |
|  | WEIGHT             | A4        | 00779                | C=            | 382A0XX-XX-0 | -             |        |
|  | CUSTOMER DRAWING   |           |                      | SCALE         | DNS          | SHEET         | 2 OF 2 |
|  |                    |           |                      |               |              | REV           | V      |

## X-ON Electronics

Largest Supplier of Electrical and Electronic Components

*Click to view similar products for [Heat Shrink Cable Boots & End Caps](#) category:*

*Click to view products by [TE Connectivity](#) manufacturer:*

Other Similar products are found below :

[577159N001](#) [645494-000](#) [CX4132-000](#) [687025-000](#) [705331-000](#) [718446-000](#) [725666N001](#) [729257-000](#) [F27131-000](#) [F85868-000](#) [770-003S106W2](#) [770-013210W1](#) [770-013311](#) [770-013312](#) [806542N001](#) [807507-000](#) [808059-000](#) [808362-000](#) [808618-000](#) [809125-000](#) [809130-000](#) [809218-000](#) [812014-000](#) [812047-000](#) [813166-000](#) [813767N002](#) [814741-000](#) [819117N001](#) [823026-000](#) [823070-000](#) [825002-000](#) [841189N001](#) [861471-000](#) [866647-000](#) [879515-000](#) [937577-000](#) [957073-000](#) [982033-2](#) [A77813-000](#) [R280576000](#) [D96192-000](#) [163549-000](#) [MTPSRBCL-C](#) [1954015-1](#) [200W531-3-0](#) [202A163-4-0-CS5067](#) [202A343-3-00-0](#) [202B221-13-0](#) [202B231-13-0](#) [202B563-25-07-0](#)