

REVISIONS

P	LTR	DESCRIPTION	DATE	DWN	APVD
V		PRODUCTION ISSUE	30JAN2019	PNT	MT

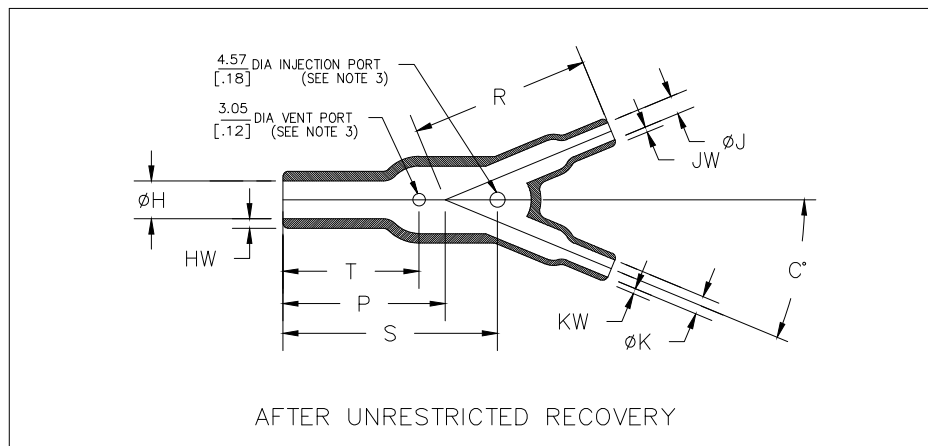
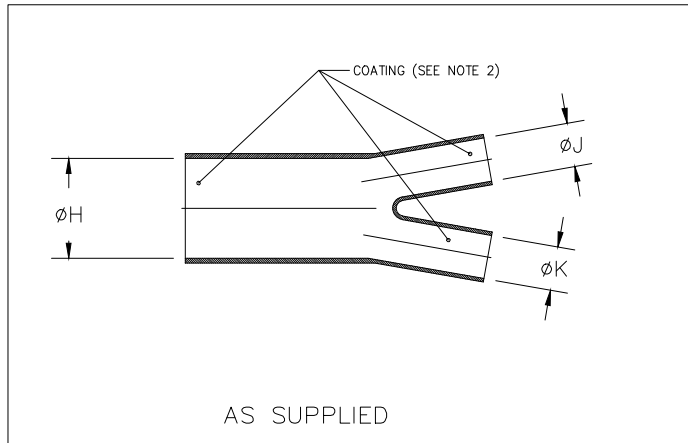


TABLE OF DIMENSIONS

PART NUMBER	H		J		K		P	R	S	T	HW	JW & KW	C	Weight Nom lb/[gms]
	Min a	Max b	Min a	Max b	Min a	Max b	$\pm 10\%$ b	$\pm 10\%$ b	$\pm 10\%$ b	$\pm 10\%$ b	$\pm 20\%$ b	$\pm 20\%$ b	$\pm 5\%$ b	b
382A012	13.2 [.52]	6.1 [.24]	6.6 [.26]	3.3 [.13]	6.6 [.26]	3.3 [.13]	22.4 [.88]	19.3 [.76]	23.9 [.94]	15.5 [.61]	1.52 [.06]	1.02 [.04]	22 1/2*	1.81 [.004]
382A023	26.9 [1.06]	12.4 [.49]	13.2 [0.52]	6.1 [.24]	13.2 [.52]	6.1 [.24]	38.1 [1.50]	43.2 [1.70]	53.3 [2.10]	33.0 [1.30]	2.54 [.10]	1.52 [.06]	22 1/2*	11.79 [.026]
382A034	38.6 [1.52]	18.0 [.71]	26.9 [1.06]	12.4 [.49]	26.9 [1.06]	12.4 [.49]	65.5 [2.58]	78.7 [3.10]	78.7 [3.10]	55.9 [2.20]	3.05 [.12]	2.54 [.10]	22 1/2*	63.96 [.141]
382A046	55.6 [2.19]	25.9 [1.02]	26.9 [1.06]	12.7 [.50]	26.9 [1.06]	12.7 [.50]	85.1 [3.35]	94.0 [3.70]	111.8 [4.40]	71.1 [2.80]	4.57 [.18]	2.54 [.10]	22 1/2*	112.95 [.249]

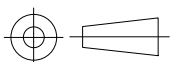
RELEASED FOR PUBLICATION

ALL RIGHTS RESERVED.

THIS DRAWING IS UNPUBLISHED.

© COPYRIGHT - TE Connectivity Ltd.

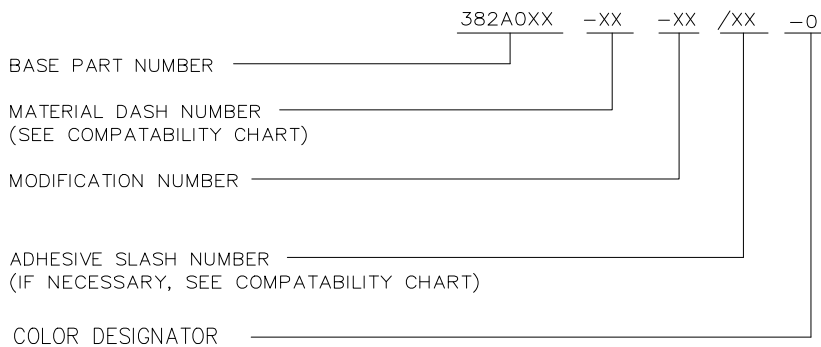
DIMENSIONS: mm [INCHES]	DWN	30JAN2019	MATERIAL	SEE SHEET 2	FINISH	-	
	CHK	N NAGAR	30JAN2019	TE Connectivity Ltd.			
TOLERANCES UNLESS OTHERWISE SPECIFIED:	APVD	M TAYLOR	30JAN2019				
0 PLC $\pm -$ 1 PLC $\pm 0.50[.1]$ 2 PLC $\pm 0.25[.01]$ 3 PLC $\pm 0.13[.005]$ 4 PLC $\pm -$ ANGLES $\pm 1^\circ$	PRODUCT SPEC	-	NAME	TRANSITION, Y			
	APPLICATION SPEC	-	SIZE	CAGE CODE	DRAWING NO	RESTRICTED TO	
	WEIGHT	A4	00779	C=	382A0XX-XX-0	-	
CUSTOMER DRAWING				SCALE	DNS	SHEET 1 OF 2	REV V



REVISIONS					
P	LTR	DESCRIPTION	DATE	DWN	APVD
	-	SEE SHEET 1	-	-	-

COMPATABILITY CHART				
MATERIAL DASH NO.	MATERIAL DESCRIPTION	RT SPEC	COATING SLASH NO.	COATING S NO.
-3	Polyolefin, Semi-rigid	RT-301	/42;/86;/180	S1017;S1048;S1030
-4	Polyolefin, Flexible	RT-1304	/42;/86;/180	S1017;S1048;S1030
-12	Fluoroelastomer, Flexible	RT-1312	N/A	N/A
-25	Elastomer, Fluid Resistant	RW-2070	/42;/86;/225	S1017;S1048;S1206
-100	Polyolefin, semi-flexible Zerohal	RW-2082	/86; /180	S1048; S1030

ORDERING INFORMATION



NOTES:

- DIMENSIONS APPEARING IN TABLE ARE AS FOLLOWS:
 - a - AS SUPPLIED
 - b - AFTER UNRESTRICTED RECOVERY
- COATING IS OPTIONAL. AS SUPPLIED DIMENSIONS APPEARING IN TABLE ARE FOR UNCOATED PARTS. WHEN COATING IS ADDED, ENTRY DIAMETERS WILL BE REDUCED BY 1.5mm[.06] MAX.
- MOLDING PORTS ARE OPTIONAL. WHEN -00 MODIFICATION NUMBER IS SPECIFIED MOLDING PORTS WILL BE LOCATED AS SHOWN.
- WEIGHT SHOWN IN TABLE OF DIMENSIONS IS BASED ON POLYOLEFIN PART.

THIS DRAWING IS UNPUBLISHED.

ALL RIGHTS RESERVED.

COPYRIGHT - TE Connectivity Ltd.

DIMENSIONS: mm [INCHES]	DWN PRAVEEN N T	30JAN2019	MATERIAL	-	FINISH	-	
	CHK N NAGAR	30JAN2019	TE Connectivity Ltd.				
TOLERANCES UNLESS OTHERWISE SPECIFIED:	APVD M TAYLOR	30JAN2019					
0 PLC ± - 1 PLC ± 0.50[.1] 2 PLC ± 0.25[.01] 3 PLC ± 0.13[.005] 4 PLC ± - ANGLES ± 1°	PRODUCT SPEC	-	NAME	TRANSITION, Y			
	APPLICATION SPEC	-	SIZE	CAGE CODE	DRAWING NO	RESTRICTED TO	
	WEIGHT	A4	00779	C=	382A0XX-XX-0	-	
	CUSTOMER DRAWING			SCALE	DNS	SHEET	2 OF 2
						REV	V

X-ON Electronics

Largest Supplier of Electrical and Electronic Components

Click to view similar products for [Heat Shrink Cable Boots & End Caps](#) category:

Click to view products by [TE Connectivity](#) manufacturer:

Other Similar products are found below :

[577159N001](#) [645494-000](#) [CX4132-000](#) [687025-000](#) [705331-000](#) [718446-000](#) [725666N001](#) [729257-000](#) [F27131-000](#) [F85868-000](#) [770-003S106W2](#) [806542N001](#) [807507-000](#) [808059-000](#) [808362-000](#) [808618-000](#) [809125-000](#) [809130-000](#) [809218-000](#) [812014-000](#) [812047-000](#) [813166-000](#) [813767N002](#) [814741-000](#) [819117N001](#) [823026-000](#) [823070-000](#) [825002-000](#) [841189N001](#) [861471-000](#) [866647-000](#) [879515-000](#) [937577-000](#) [957073-000](#) [982033-2](#) [A77813-000](#) [R280576000](#) [D96192-000](#) [163549-000](#) [MTPSRBCL-C](#) [1954015-1](#) [200W531-3-0](#) [202A163-4-0-CS5067](#) [202A343-3-00-0](#) [202B221-13-0](#) [202B231-13-0](#) [202B563-25-07-0](#) [202C241-13-0](#) [202D121-4-01/86-0](#) [202D132-4-07/42-0](#)