

REVISIONS

| P | LTR | DESCRIPTION | DATE | DWN | APVD |
|---|-----|------------------|-----------|-----|------|
| V | | PRODUCTION ISSUE | 30JAN2019 | PNT | MT |

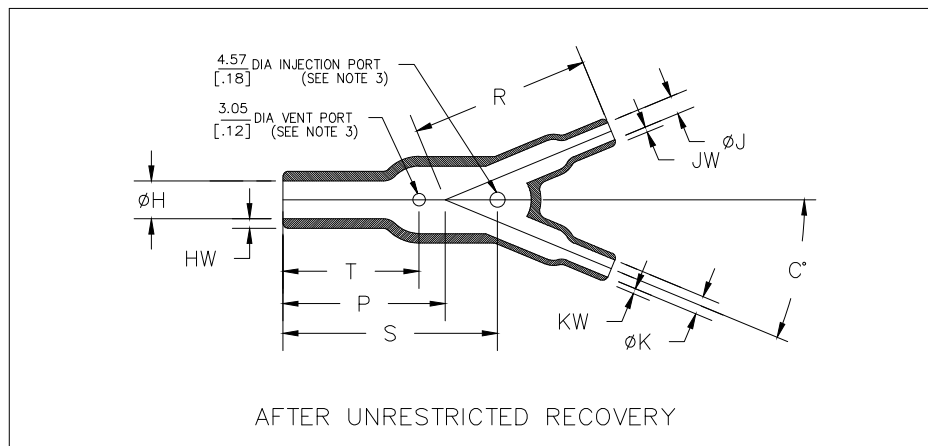
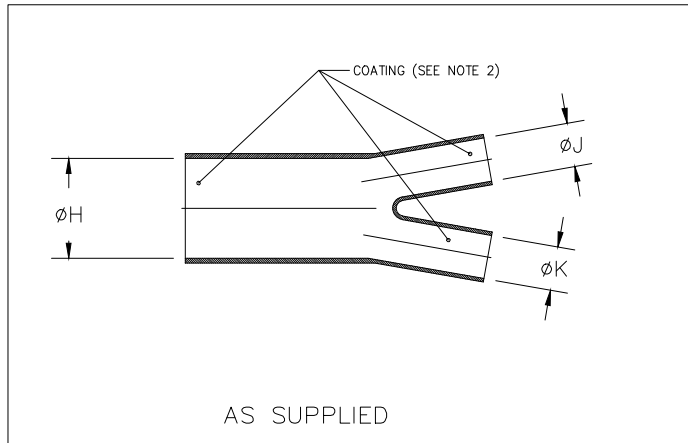


TABLE OF DIMENSIONS


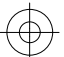

| PART NUMBER | H | | J | | K | | P | R | S | T | HW | JW & KW | C | Weight Nom lb/[gms] |
|-------------|----------------|----------------|----------------|---------------|----------------|---------------|----------------|----------------|-----------------|----------------|---------------|---------------|---------|---------------------|
| | Min a | Max b | Min a | Max b | Min a | Max b | ±10% b | ±10% b | ±10% b | ±10% b | ±20% b | ±20% b | ±5% b | b |
| 382A012 | 13.2 [.52] | 6.1 [.24] | 6.6 [.26] | 3.3 [.13] | 6.6 [.26] | 3.3 [.13] | 22.4 [.88] | 19.3 [.76] | 23.9 [.94] | 15.5 [.61] | 1.52 [.06] | 1.02 [.04] | 22 1/2° | 1.81 [.004] |
| 382A023 | 26.9 [1.06] | 12.4 [.49] | 13.2 [0.52] | 6.1 [.24] | 13.2 [.52] | 6.1 [.24] | 38.1 [1.50] | 43.2 [1.70] | 53.3 [2.10] | 33.0 [1.30] | 2.54 [.10] | 1.52 [.06] | 22 1/2° | 11.79 [.026] |
| 382A034 | 38.6 [1.52] | 18.0 [.71] | 26.9 [1.06] | 12.4 [.49] | 26.9 [1.06] | 12.4 [.49] | 65.5 [2.58] | 78.7 [3.10] | 78.7 [3.10] | 55.9 [2.20] | 3.05 [.12] | 2.54 [.10] | 22 1/2° | 63.96 [.141] |
| 382A046 | 55.6 [2.19] | 25.9 [1.02] | 26.9 [1.06] | 12.7 [.50] | 26.9 [1.06] | 12.7 [.50] | 85.1 [3.35] | 94.0 [3.70] | 111.8 [4.40] | 71.1 [2.80] | 4.57 [.18] | 2.54 [.10] | 22 1/2° | 112.95 [.249] |

RELEASED FOR PUBLICATION

ALL RIGHTS RESERVED.

THIS DRAWING IS UNPUBLISHED.

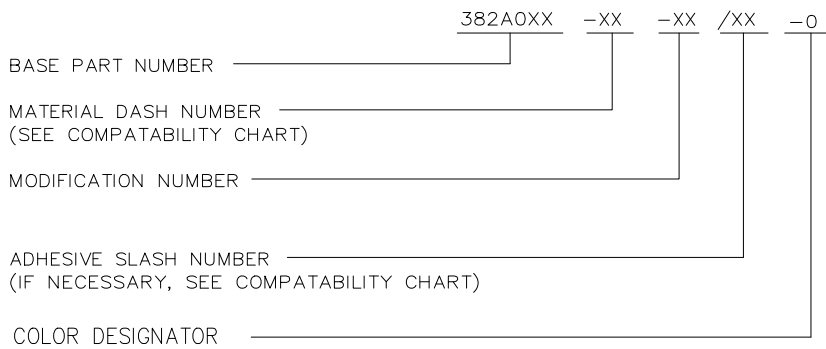
© COPYRIGHT - TE Connectivity Ltd.

| | | | | | | |
|---|--|-------------------|---|--------------|-----------------------|------------------------------|
| DIMENSIONS: mm [INCHES] | DWN PRAVEEN N T | 30JAN2019 | MATERIAL SEE SHEET 2 | FINISH - | | |
| | CHK N NAGAR | 30JAN2019 |  TE Connectivity Ltd. | | | |
| TOLERANCES UNLESS OTHERWISE SPECIFIED: | APVD M TAYLOR | 30JAN2019 | | | NAME TRANSITION, Y | |
| | 0 PLC ± - 1 PLC ± 0.50[.1] 2 PLC ± 0.25[.01] 3 PLC ± 0.13[.005] 4 PLC ± - ANGLES ± 1° | PRODUCT SPEC - | APPLICATION SPEC - | SIZE A4 | CAGE CODE 00779 | DRAWING NO C-382A0XX-XX-0 |
|   | WEIGHT | CUSTOMER DRAWING | | SCALE DNS | SHEET 1 OF 2 | REV V |

| REVISIONS | | | | | |
|-----------|-----|-------------|------|-----|------|
| P | LTR | DESCRIPTION | DATE | DWN | APVD |
| | - | SEE SHEET 1 | - | - | - |

| COMPATABILITY CHART | | | | |
|---------------------|-----------------------------------|---------|-------------------|-------------------|
| MATERIAL DASH NO. | MATERIAL DESCRIPTION | RT SPEC | COATING SLASH NO. | COATING S NO. |
| -3 | Polyolefin, Semi-rigid | RT-301 | /42;/86;/180 | S1017;S1048;S1030 |
| -4 | Polyolefin, Flexible | RT-1304 | /42;/86;/180 | S1017;S1048;S1030 |
| -12 | Fluoroelastomer, Flexible | RT-1312 | N/A | N/A |
| -25 | Elastomer, Fluid Resistant | RW-2070 | /42;/86;/225 | S1017;S1048;S1206 |
| -100 | Polyolefin, semi-flexible Zerohal | RW-2082 | /86; /180 | S1048; S1030 |

ORDERING INFORMATION




NOTES:

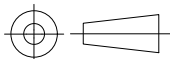
- DIMENSIONS APPEARING IN TABLE ARE AS FOLLOWS:
 - a - AS SUPPLIED
 - b - AFTER UNRESTRICTED RECOVERY
- COATING IS OPTIONAL. AS SUPPLIED DIMENSIONS APPEARING IN TABLE ARE FOR UNCOATED PARTS. WHEN COATING IS ADDED, ENTRY DIAMETERS WILL BE REDUCED BY 1.5mm[.06] MAX.
- MOLDING PORTS ARE OPTIONAL. WHEN -00 MODIFICATION NUMBER IS SPECIFIED MOLDING PORTS WILL BE LOCATED AS SHOWN.
- WEIGHT SHOWN IN TABLE OF DIMENSIONS IS BASED ON POLYOLEFIN PART.

THIS DRAWING IS UNPUBLISHED.

ALL RIGHTS RESERVED.

COPYRIGHT - TE Connectivity Ltd.

| | | | | | | |
|--|--------------------|-----------|---|---------------|----------------|---------------|
| DIMENSIONS: mm [INCHES] | DWN PRAVEEN N T | 30JAN2019 | MATERIAL | - | FINISH | - |
| | CHK N NAGAR | 30JAN2019 |  TE Connectivity Ltd. | | | |
| TOLERANCES UNLESS OTHERWISE SPECIFIED: | APVD M TAYLOR | 30JAN2019 | | | | |
| 0 PLC ± - | PRODUCT SPEC | - | NAME | TRANSITION, Y | | |
| 1 PLC ± 0.50[.1] | APPLICATION SPEC | - | SIZE | CAGE CODE | DRAWING NO | RESTRICTED TO |
| 2 PLC ± 0.25[.01] | WEIGHT | - | A4 | 00779 | C-382A0XX-XX-0 | - |
| 3 PLC ± 0.13[.005] | | | CUSTOMER DRAWING | | | |
| 4 PLC ± - | | | SCALE | DNS | SHEET | 2 OF 2 |
| ANGLES ± 1° | | | REV V | | | |



X-ON Electronics

Largest Supplier of Electrical and Electronic Components

Click to view similar products for [Heat Shrink Cable Boots & End Caps](#) category:

Click to view products by [TE Connectivity](#) manufacturer:

Other Similar products are found below :

[577159N001](#) [645494-000](#) [CX4132-000](#) [687025-000](#) [705331-000](#) [718446-000](#) [725666N001](#) [729257-000](#) [F27131-000](#) [F85868-000](#) [770-003S106W2](#) [770-013210W1](#) [770-013311](#) [770-013312](#) [806542N001](#) [807507-000](#) [808362-000](#) [808618-000](#) [809125-000](#) [809130-000](#) [809218-000](#) [812014-000](#) [812047-000](#) [813166-000](#) [813767N002](#) [814741-000](#) [819117N001](#) [823026-000](#) [823070-000](#) [841189N001](#) [861471-000](#) [866647-000](#) [879515-000](#) [937577-000](#) [957073-000](#) [982033-2](#) [A77813-000](#) [R280576000](#) [D96192-000](#) [163549-000](#) [EN3BOOTLKIT](#) [MTPSRBCL-C](#) [1954015-1](#) [200W531-3-0](#) [202A163-4-0-CS5067](#) [202A343-3-00-0](#) [202B221-13-0](#) [202B231-13-0](#) [202B563-25-07-0](#) [202C241-13-0](#)