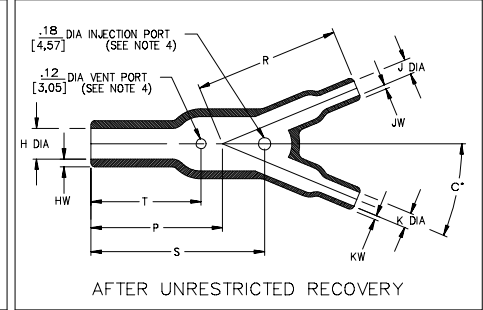
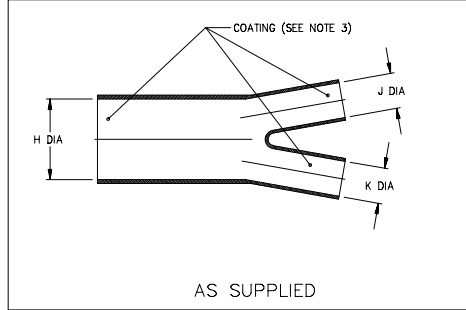


Thermofit<sup>®</sup> Molded Parts  
 Specification Control Drawing  
 Limited Distribution

Part Number : 382A0XX-25/225  
 Description : Transition, Y

NOTES

- All dimensions are in  $\frac{\text{inches}}{\text{[millimeters]}}$
- Dimensions appearing in table are as follows:  
 a - As Supplied  
 b - After Unrestricted Recovery
- Coating is optional. As supplied dimensions appearing in table are for uncoated parts. When coating is added, entry diameters will be reduced by .06 max.
- Molding ports are optional. When -00 modification number is specified molding ports will be located as shown.



| PART NUMBER | H              |                | J              |               | K              |               | P              | R              | S               | T              | HW            | JW & KW       | C       |
|-------------|----------------|----------------|----------------|---------------|----------------|---------------|----------------|----------------|-----------------|----------------|---------------|---------------|---------|
|             | Min            | Max            | Min            | Max           | Min            | Max           |                |                |                 |                |               |               |         |
|             | a              | b              | a              | b             | a              | b             |                |                |                 |                |               |               |         |
| 382A012     | .52<br>[13,2]  | .24<br>[6,1]   | .26<br>[6,6]   | .13<br>[3,3]  | .26<br>[6,6]   | .13<br>[3,3]  | .88<br>[22,4]  | .76<br>[19,3]  | .94<br>[23,9]   | .61<br>[15,5]  | .06<br>[1,52] | .04<br>[1,02] | 22 1/2" |
| 382A023     | 1.06<br>[26,9] | .49<br>[12,4]  | .52<br>[13,2]  | .24<br>[6,1]  | .52<br>[13,2]  | .24<br>[6,1]  | 1.50<br>[38,1] | 1.70<br>[43,2] | 2.10<br>[53,3]  | 1.30<br>[33,0] | .10<br>[2,54] | .06<br>[1,52] | 22 1/2" |
| 382A034     | 1.52<br>[38,6] | .71<br>[18,0]  | 1.06<br>[26,9] | .49<br>[12,4] | 1.06<br>[26,9] | .49<br>[12,4] | 2.58<br>[65,5] | 3.10<br>[78,7] | 3.10<br>[78,7]  | 2.20<br>[55,9] | .12<br>[3,05] | .10<br>[2,54] | 22 1/2" |
| 382A046     | 2.19<br>[55,6] | 1.02<br>[25,9] | 1.06<br>[26,9] | .50<br>[12,7] | 1.06<br>[26,9] | .50<br>[12,7] | 3.35<br>[85,1] | 3.70<br>[94,0] | 4.40<br>[111,8] | 2.80<br>[71,1] | .18<br>[4,57] | .10<br>[2,54] | 22 1/2" |



RAYCHEM CORPORATION  
 300 CONSTITUTION DRIVE  
 MENLO PARK, CALIFORNIA 94025

Revision : A  
 Date : 1/6/99

Part Number : 382A0XX-25/225  
 Description : Transition, Y

Thermofit<sup>®</sup> Molded Parts  
 Specification Control Drawing  
 Limited Distribution

Part Number : 382A0XX-25/225  
 Description : Transition, Y

| COMPATABILITY CHART |                            |         |                   |               |                     |
|---------------------|----------------------------|---------|-------------------|---------------|---------------------|
| MATERIAL DASH NO.   | MATERIAL DESCRIPTION       | RT SPEC | COATING SLASH NO. | COATING S NO. | COATING DESCRIPTION |
| -25                 | Elastomer, Fluid Resistant | RT-1325 | /225              | S-1206        | Adhesive            |
|                     |                            |         |                   |               |                     |
|                     |                            |         |                   |               |                     |
|                     |                            |         |                   |               |                     |
|                     |                            |         |                   |               |                     |

ORDERING INFORMATION

382A0XX -25 -XX /225

Base part number \_\_\_\_\_

Material dash number \_\_\_\_\_  
 (See Compatability Chart)

Modification number \_\_\_\_\_  
 (If necessary, see front of scd binder for a complete list)

Adhesive slash number \_\_\_\_\_  
 (If necessary, see Compatability Chart)

THIS DRAWING IS SUBJECT TO CHANGE WITHOUT NOTICE; CONSULT YOUR NEAREST FIELD REPRESENTATIVE FOR CURRENT REVISION



RAYCHEM CORPORATION  
 300 CONSTITUTION DRIVE  
 MENLO PARK, CALIFORNIA 94025

Revision : A  
 Date : 1/6/99

Part Number : 382A0XX-25/225  
 Description : Transition, Y

## X-ON Electronics

Largest Supplier of Electrical and Electronic Components

*Click to view similar products for [Heat Shrink Cable Boots & End Caps](#) category:*

*Click to view products by [TE Connectivity](#) manufacturer:*

Other Similar products are found below :

[577159N001](#) [645494-000](#) [CX4132-000](#) [687025-000](#) [705331-000](#) [718446-000](#) [725666N001](#) [729257-000](#) [F27131-000](#) [F85868-000](#) [770-003S106W2](#) [770-013210W1](#) [770-013311](#) [770-013312](#) [806542N001](#) [807507-000](#) [808362-000](#) [808618-000](#) [809125-000](#) [809130-000](#) [809218-000](#) [812014-000](#) [812047-000](#) [813166-000](#) [813767N002](#) [814741-000](#) [819117N001](#) [823026-000](#) [823070-000](#) [841189N001](#) [861471-000](#) [866647-000](#) [879515-000](#) [937577-000](#) [957073-000](#) [982033-2](#) [A77813-000](#) [R280576000](#) [D96192-000](#) [163549-000](#) [EN3BOOTLKIT](#) [MTPSRBCL-C](#) [1954015-1](#) [200W531-3-0](#) [202A163-4-0-CS5067](#) [202A343-3-00-0](#) [202B221-13-0](#) [202B231-13-0](#) [202B563-25-07-0](#) [202C241-13-0](#)