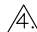
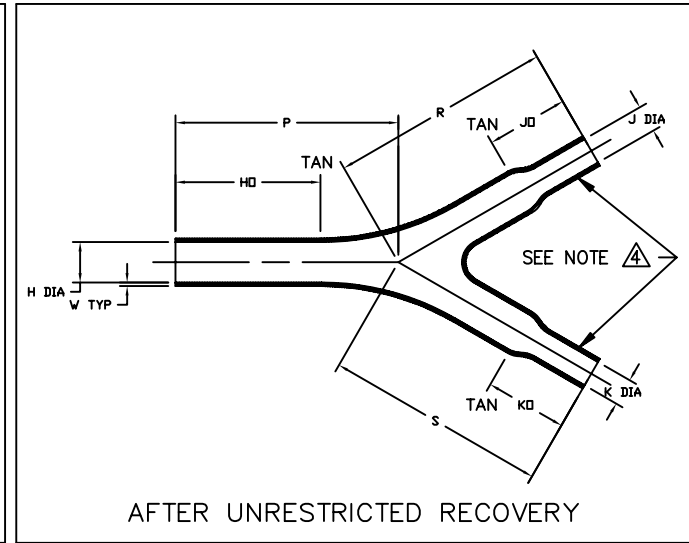
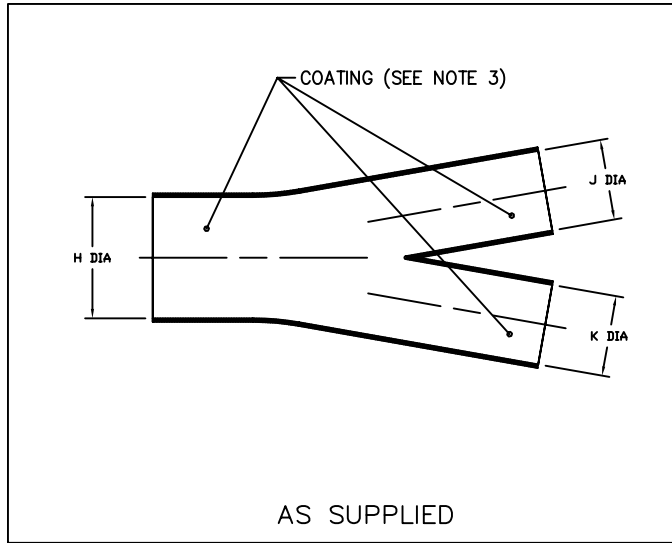


NOTES

- All dimensions are in  $\frac{\text{inches}}{[\text{millimeters}]}$
- Dimensions appearing in table are as follows:
  - a - As Supplied
  - b - After Unrestricted Recovery
- Coating is optional. As supplied dimensions appearing in table are for uncoated parts. When coating is added, entry diameters will be reduced by .06 max.


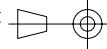
 Wall thickness will not be measured in transition area.

REVISIONS		
LTR	DESCRIPTION	DATE
D	REVISED PER ECD-07-024552	10/19/2007



PART NUMBER	H		J & K		P, R & S	HO	JO & KO	W
	Min	Max	Min	Max	Ref.	±15%	±20%	Ref.
	a	b	a	b	b	b	b	b
382C332	$\frac{1.00}{[25,4]}$	$\frac{.45}{[11,4]}$	$\frac{.60}{[15,2]}$	$\frac{.30}{[7,5]}$	$\frac{2.48}{[63,0]}$	$\frac{1.62}{[41,1]}$	$\frac{.75}{[19,0]}$	$\frac{.04}{[1,0]}$

CUSTOMER DRAWING

UNLESS OTHERWISE SPECIFIED DIMENSIONS ARE INCHES. METRIC DIMENSIONS ARE IN BRACKETS.	DRAWN UNGUYEN	DATE 10/19/2007	 Tyco Electronics Raychem Molded Parts 305 Constitution Dr Menlo Park, CA 94025
	RPN		
DECIMAL TOLERANCES .XXX ± 0.005 [0.13 mm] .XX ± 0.01 [0.25 mm] .X ± 0.1 [0.50 mm]	THIRD ANGLE PROJECTION 		SIZE B
ANGLE TOLERANCE .X ± 1 DEG.	CODE IDENT. NO. 06090		DWG. NO. 382C332
©2007 Tyco Electronics Corporation. All rights reserved.			DO NOT SCALE THIS DRAWING SHEET 1 OF 2

4

3

2

1

### COMPATABILITY CHART

MATERIAL DASH NO.	MATERIAL DESCRIPTION	RT SPEC	COATING SLASH NO.	COATING SPEC	COATING DESCRIPTION
-50	Flexible Viton	RT-1313	N/A		
-51	Flexible EPB	RT-1321	/164, /86	RT-1050/13, RT-1050/3	ADHESIVE
-71	Flexible Polyolefin	RT-1316	/42, /86	RT-1050/1, RT-1050/3	ADHESIVE
-125	Modified Fluoropolymer	RT-1334	N/A		
-770	NBCCS	RT-770 TYPE II	N/A		
-780	NBCCS	RT-780 TYPE II	N/A		

### ORDERING INFORMATION

382C332 -XXX -XX /XXX -0

Base part number

Material dash number  
(See Compatability Chart)

Modification number

Adhesive slash number  
(If necessary, see Compatability Chart)

Color Designator

### CUSTOMER DRAWING

SIZE	DWG. NO.	REV	DWG. NO.	
B	06090	D	382C332	
DO NOT SCALE THIS DRAWING			SHEET 2 OF 2	

4

3

2

1

## X-ON Electronics

Largest Supplier of Electrical and Electronic Components

*Click to view similar products for [Heat Shrink Cable Boots & End Caps](#) category:*

*Click to view products by [TE Connectivity](#) manufacturer:*

Other Similar products are found below :

[577159N001](#) [645494-000](#) [CX4132-000](#) [687025-000](#) [705331-000](#) [718446-000](#) [725666N001](#) [729257-000](#) [F27131-000](#) [F85868-000](#) [770-003S106W2](#) [770-013210W1](#) [770-013311](#) [770-013312](#) [806542N001](#) [807507-000](#) [808362-000](#) [808618-000](#) [809125-000](#) [809130-000](#) [809218-000](#) [812014-000](#) [812047-000](#) [813166-000](#) [813767N002](#) [814741-000](#) [819117N001](#) [823026-000](#) [823070-000](#) [841189N001](#) [861471-000](#) [866647-000](#) [879515-000](#) [937577-000](#) [957073-000](#) [982033-2](#) [A77813-000](#) [R280576000](#) [D96192-000](#) [163549-000](#) [EN3BOOTLKIT](#) [MTPSRBCL-C](#) [1954015-1](#) [200W531-3-0](#) [202A163-4-0-CS5067](#) [202A343-3-00-0](#) [202B221-13-0](#) [202B231-13-0](#) [202B563-25-07-0](#) [202C241-13-0](#)