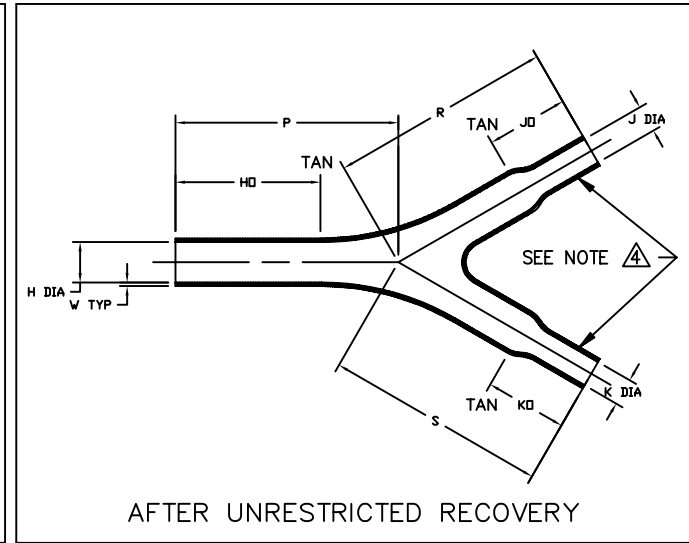
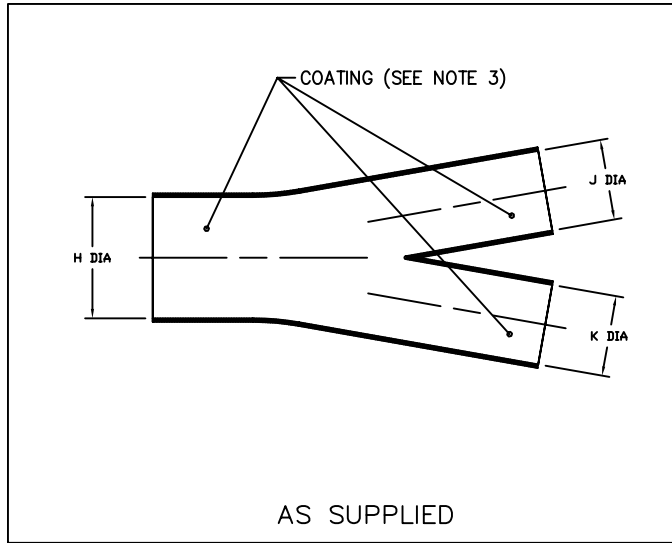


NOTES

1. All dimensions are in  $\frac{\text{inches}}{\text{[millimeters]}}$
2. Dimensions appearing in table are as follows:
  - a - As Supplied
  - b - After Unrestricted Recovery
3. Coating is optional. As supplied dimensions appearing in table are for uncoated parts. When coating is added, entry diameters will be reduced by .06 max.

⚠ Wall thickness will not be measured in transition area.

| REVISIONS |                           |            |
|-----------|---------------------------|------------|
| LTR       | DESCRIPTION               | DATE       |
| D         | REVISED PER ECD-07-024552 | 10/19/2007 |



| PART NUMBER | H              |               | J & K         |              | P, R & S       | HO             | JO & KO       | W            |
|-------------|----------------|---------------|---------------|--------------|----------------|----------------|---------------|--------------|
|             | Min<br>a       | Max<br>b      | Min<br>a      | Max<br>b     | Ref.<br>b      | ±15%<br>b      | ±20%<br>b     | Ref.<br>b    |
| 382C332     | 1.00<br>[25,4] | .45<br>[11,4] | .60<br>[15,2] | .30<br>[7,5] | 2.48<br>[63,0] | 1.62<br>[41,1] | .75<br>[19,0] | .04<br>[1,0] |

CUSTOMER DRAWING

|  |                            |                    |   |
|--|----------------------------|--------------------|---|
| UNLESS OTHERWISE SPECIFIED DIMENSIONS ARE INCHES. METRIC DIMENSIONS ARE IN BRACKETS.       | DRAWN<br>UNGUYEN           | DATE<br>10/19/2007 | <br>Raychem Molded Parts<br>305 Constitution Dr<br>Menlo Park, CA 94025 |
|  | RPN                        |                    |   |
| DECIMAL TOLERANCES<br>.XXX ± 0.005 (0.13 mm)<br>.XX ± 0.01 (0.25 mm)<br>.X ± 0.1 (0.50 mm) | THIRD ANGLE PROJECTION<br> |                    | SIZE<br>B   |
| ANGLE TOLERANCE<br>.X ± 1 DEG.   | CODE IDENT. NO.<br>06090   |                    | DWG. NO.<br>382C332   |
| ©2007 Tyco Electronics Corporation. All rights reserved.                                   |                            |                    | DO NOT SCALE THIS DRAWING<br>SHEET 1 OF 2                               |

4

3

2

1

### COMPATABILITY CHART

| MATERIAL DASH NO. | MATERIAL DESCRIPTION   | RT SPEC        | COATING SLASH NO. | COATING SPEC          | COATING DESCRIPTION |
|-------------------|------------------------|----------------|-------------------|-----------------------|---------------------|
| -50               | Flexible Viton         | RT-1313        | N/A               |                       |                     |
| -51               | Flexible EPB           | RT-1321        | /164, /86         | RT-1050/13, RT-1050/3 | ADHESIVE            |
| -71               | Flexible Polyolefin    | RT-1316        | /42, /86          | RT-1050/1, RT-1050/3  | ADHESIVE            |
| -125              | Modified Fluoropolymer | RT-1334        | N/A               |                       |                     |
| -770              | NBCCS                  | RT-770 TYPE II | N/A               |                       |                     |
| -780              | NBCCS                  | RT-780 TYPE II | N/A               |                       |                     |

### ORDERING INFORMATION

382C332 -XXX -XX /XXX -0

Base part number

Material dash number  
(See Compatability Chart)

Modification number

Adhesive slash number  
(If necessary, see Compatability Chart)

Color Designator

CUSTOMER DRAWING

|                           |          |     |              |         |
|---------------------------|----------|-----|--------------|---------|
| SIZE                      | DWG. NO. | REV | DWG. NO.     |         |
| B                         | 06090    | D   |              | 382C332 |
| DO NOT SCALE THIS DRAWING |          |     | SHEET 2 OF 2 |         |

4

3

2

1

## X-ON Electronics

Largest Supplier of Electrical and Electronic Components

*Click to view similar products for [Heat Shrink Cable Boots & End Caps](#) category:*

*Click to view products by [TE Connectivity](#) manufacturer:*

Other Similar products are found below :

[577159N001](#) [007758-000](#) [610368N003](#) [618803-000](#) [645494-000](#) [M85049/141-02HU](#) [M85049/141-03HU](#) [M85049/141-04HU](#) [687025-000](#)  
[705331-000](#) [718446-000](#) [725666N001](#) [729257-000](#) [F21914-000](#) [F27131-000](#) [F85868-000](#) [770-006A103R](#) [770-006A304W1](#) [770-](#)  
[006A305W1](#) [770-006A308W1](#) [770-011T303W1](#) [770-011T304W1](#) [770-020S702W1](#) [770-020S704W1](#) [806542N001](#) [807507-000](#) [808059-000](#)  
[808296-000](#) [808362-000](#) [808828-000](#) [809125-000](#) [809130-000](#) [809218-000](#) [811218-000](#) [811288-000](#) [812014-000](#) [812047-000](#) [813166-000](#)  
[813767N002](#) [814417-000](#) [819115N001](#) [819117N001](#) [823026-000](#) [823070-000](#) [825002-000](#) [841189N001](#) [861471-000](#) [866647-000](#) [937577-](#)  
[000](#) [950764-000](#)